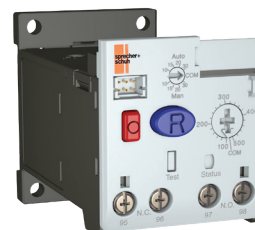


Overload Relays

Overview	B1.2
CEP7-1 3rd Gen Solid State Overload Relays NEW	B1.3
Accessories	B1.6
Technical Information & Dimensions (Online).....	B1.7
CEP7 Solid State Overload Relays	B2
Manual & Automatic Reset	B5
Larger Amp Manual & Automatic Reset.....	B7
Accessories	B8
Technical Information & Dimensions (Online).....	B12
CEP9 Electronic Overload Relays	B27
Technical Information & Dimensions (Online).....	B34
CT7N Bimetallic Overload Relays	B43
Accessories	B45
Technical Information & Dimensions (Online).....	B46
CT8 Thermal Overload Relays	B54
Technical Information & Dimensions (Online).....	B56



Choices in Overload Relays



CT7N/CT8
Thermal Bimetallic

Key Features:

- Ambient temperature compensation
- Rated for DC and variable frequent drive applications up to 400 Hz
- Optional remote reset solenoid and external reset accessories



CEP7
Solid State

Key Features:

- Current measurement based protection
- Low energy consumption
- Side-mount expansion modules provide adjustable levels of protection and communication



CEP9
Advanced Electronic

Key Features:

- Provides critical motor protection functions
- Communication and diagnostics provide detailed logs and control from relay to motor
- Can simplify control architecture

Product Feature Overview

Relay Type	CT7N/CT8	CEP7-1	CEP9 - Parameter	CEP9
Protection Features				
Overload	•	•	•	•
Phase Loss		•	•	•
Ground Fault		•	•	•
Current Imbalance		•	•	•
Add-on Protection		•	•	•
Over/ Under Voltage			•	•
Voltage Imbalance			•	•
Over/ Under Power			•	•
Diagnostics Features				
% Full Load Amperes (FLA)		•	•	•
% Thermal Capacity Utilization (TCU)		•	•	•
Voltage			•	•
Power			•	•
Energy			•	•
Integration Features				
DeviceLogix™			•	•
Logix Controller				•
Connected Components Workbench™ Software			•	
EtherNet/IP™				Embedded (dual-port)
Local Programming Method				EtherNet/IP or DeviceNet ①

① You can also configure CEP9 devices using an optional expansion operator diagnostic station.

Protecting your investment is critical to keeping your operations up and running. Prevent unwanted down time by choosing the right protection for your motor controls. Sprecher + Schuh is proud to offer several options in motor protection. From simple single purpose devices, to varying degrees of selection options and complete factory automation and communication, selecting the right protection is vital to ensuring motor life and longevity. Sprecher + Schuh is here to help protect your investment.

Choices in Overload Relays



CT7N/CT8
Thermal Bimetallic

Key Features:

- Ambient temperature compensation
- Rated for DC and variable frequent drive applications up to 400 Hz
- Optional remote reset solenoid and external reset accessories



CEP7
Solid State

Key Features:

- Current measurement based protection
- Low energy consumption
- Side-mount expansion modules provide adjustable levels of protection and communication



CEP9
Advanced Electronic

Key Features:

- Provides critical motor protection functions
- Communication and diagnostics provide detailed logs and control from relay to motor
- Can simplify control architecture

Product Feature Overview

Relay Type	CT7N/CT8	CEP7-1	CEP9 (Parameter)	CEP9 (Networked)
Protection Features				
Overload	•	•	•	•
Phase Loss		•	•	•
Ground Fault		•	•	•
Current Imbalance	•		•	•
Add-on Protection		•	•	•
Over/ Under Voltage			•	•
Voltage Imbalance			•	•
Over/ Under Power			•	•
Diagnostics Features				
% Full Load Amperes (FLA)		•	•	•
% Thermal Capacity Utilization (TCU)		•	•	•
Voltage			•	•
Power			•	•
Energy			•	•
Integration Features				
DeviceLogix™			•	•
Logix Controller				•
Connected Components Workbench™ Software			•	
EtherNet/IP™				Embedded (dual-port)
Local Programming Method			USB Type B ❶	EtherNet/IP or DeviceNet ❶

❶ You can also configure CEP9 devices using an optional expansion operator diagnostic station.

Protecting your investment is critical to keeping your operations up and running. Prevent unwanted down time by choosing the right protection for your motor controls. Sprecher + Schuh is proud to offer several options in motor protection. From simple single purpose devices, to varying degrees of selection options and complete factory automation and communication, selecting the right protection is vital to ensuring motor life and longevity. Sprecher + Schuh is here to help protect your investment.

CEP7 Solid State Overload Relays

The Third Generation

Advanced solid state motor protection

The CEP7-1__ relay provides the following features:

- Electronic overload detection
- Simple configuration
- Selectable trip class
- Adjustable trip current
- Integration with CA7/CAN7 contactors
- Test and reset buttons
- Auto (CEP7-1EF only)/manual reset selection
- RMS current sensing (50/60 Hz)
- External current transformer configurations
- Single- and Three-phase compatibility within the same unit
- Direct and pass-through mounting options

The CEP7-1__ relay lets you connect accessory modules, some of which interface through the front-mounted communication port. Accessories include:

- Ground fault/jam protection module (CEP7-1EF only)
- Remote reset solenoid
- Anti-tamper shield
- Electronic remote indication display CEP7-ERID, with or without reset (CEP7-1EF units only)
- External reset adapter
- DIN rail/Panel adapter



Overload Performance

- **Current Measurement-based Protection** Current measurement-based overload protection more accurately models a motor's thermal condition. Ambient temperature over the specified temperature operating range does not impact the performance of current measurement-based designs.
- **Electronic Design** Thermal modeling is performed electronically with precision solid-state components, using a state-of-the-art microprocessor. The microprocessor continually processes motor current data to accurately maintain the time-current status of the motor thermal capacity utilization (%TCU) value.
- **Thermal Memory** A thermal memory design lets the CEP7-1 Overload Relay model the heating and cooling effects of motor on and off periods. This achieves accurate protection for both hot and cold operation.
- **Phase Loss Protection** Phase loss detection is incorporated into the CEP7-1 Overload Relay, allowing it to respond quickly to this type of condition.



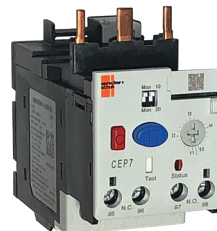
Direct Mount Mechanical attachment



100A



100A



100A



800A

Versatile and Expandable

- **Adjustable Trip Class and Reset Modes** The Basic CEP7-1EE relay offers Trip Class 10 and 20 with manual reset only. The Advanced CEP7-1EF relay offers Trip Class 10, 15, 20, and 30 with a selectable dial, in manual or automatic reset.
- **Pass-through Design** The CEP7-1 relay Pass-through option consumes less panel space than a standard CEP7-1 relay that is configured with a panel-mount adapter. The pass-through design provides integrated DIN Rail mount and panel mounting holes. The CEP7-1 Pass-through Electronic Overload Relay provides the same protection and expandable accessory capabilities as a standard CEP7-1 relay.
- **External CTs** For motor overload protection applications above 100A in current sensing capability, the CEP7-1EF_Z relay offers functionality with external CT configurations up to 800A maximum capacity.

Wide current adjustment range

Thermal or bimetallic overload relays typically have a small current adjustment range of 1.5:1 meaning that the maximum setting is generally 1.5 times the lower setting. Sprecher + Schuh's CEP7-1 overload relay is capable of adjustment to a maximum of five times the minimum set current, which dramatically reduces the number of units required on-hand to cover the full range of current settings up to 100 amperes.

Selectable tripping class

Both the CEP7-1 models have standard Class 10 tripping characteristics. The CEP7-1EE Basic model is equipped with dip switches that allow the select ability between Class 10 and Class 20, while the CEP7-1EF Advanced model possesses a selection dial on the face of the overload for trip classes 10/15/20 and 30. This selection feature allows you to closely match the Trip Class with the start-up time of the motor.

Adaptive Protection

Remote Reset Capability

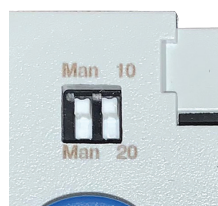
The CEP7-1EF relay offers optional remote reset capabilities through the use of an electro-mechanical reset solenoid or an electronic remote reset accessory module.

Ground Fault and Jam Protection

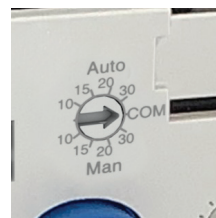
The CEP7-1EF relay offers optional ground fault and jam protection through the use of an accessory module. The ground fault current detection level is configurable via a mechanical rotary dial from 0.02...5A. Jam protection is configurable via two mechanical rotary dials, current level from 125...600% FLA, and delay from 0.1...10 seconds.

Robust design

The CEP7 has been designed to physically extend to the back-pan therefore aligning the mounting of the overload with the corresponding contactor. Further, the mechanical attachment and direct electrical connection to the contactor provides a robust mounting, which means less damage from shipping or during field wire installation. The bipolar latching relay which controls the normally closed trip contacts and normally open alarm circuit contacts have been self-enclosed, therefore insulating the electromagnet and shielding against airborne metal particles and other potential environmental debris. The CEP7 has been tested to operate in -20° C. or up to 60° C (140 °F) and withstand 3G of vibration or 30G of shock on a mountain up to an altitude of 2000m or in a jungle at 95% humidity. Reliability under every conceivable environmental condition is a quality built into the design of the CEP7 electronic overload relay.



CEP7-1EE Switch
Selection for Trip class
(10 or 20)



CEP7-1EF Selectable Dial for
• Manual vs. automatic
• Trip class 10, 15, 20 or 30)



Increased accuracy and improved motor protection

Microelectronics provide flexible and accurate motor overload protection. Unlike traditional overload relays that simulate heat build-up in the motor by passing current through a heater element, CEP7 solid state overload relays measure motor current directly through integrated current transformers. The transformers, in turn, create a magnetic field that induces DC voltage onto the ASIC board. The electronics identify excessive current or loss of phase more accurately, and react to the condition with greater speed and reliability than traditional overload relays. In addition, CEP7 solid state relays offer setting accuracies from 2.5 – 5% and repeat accuracy of 1%.

Dramatically lowered energy requirement saves money, reduces panel space

Because traditional overload relays work on the principle of “modeling” the heat generated in the motor (recreating the heat in the bimetal elements or heaters), a significant amount of energy is wasted. In traditional bimetallic overload relays, as many as six watts of heat are dissipated to perform the protective function. Because the CEP7 uses sampling techniques to actually measure the current flowing in the circuit, very little heat is dissipated in the device...as little as 0.5 watts. This not only reduces the total amount of electrical energy consumed in an application, but it can also have a dramatic impact on the design and layout of control panels. The density of motor starters can be much greater because less heat is generated by each of the individual components. Higher density results in smaller control panels. In addition, special ventilation or air conditioning that might have been required to protect sensitive electronic equipment such as PLC's can now be reduced or eliminated. CEP7 overload relays dramatically reduced energy requirement saves money and reduces panel space.

Direct Mount / Single & Three-phase Applications ①②③

Overload Relay	Directly Mounts to Contactor...	Adjustment Range (A)	Catalog Number
CEP7-1EE Manual Reset for 1Ø and 3Ø Applications - Trip Class 10, 20			
 <p>shown: CEP7-1EEAB</p>	CA7-9...CA7-23 CAN7-12, CAN7-16	0.1...0.5	CEP7-1EEAB
		0.2...1.0	CEP7-1EEBB
		1.0...5.0	CEP7-1EECB
		3.2...16	CEP7-1EEDB
		5.4...27	CEP7-1EEEB
	CA7-30...CA7-55 CAN7-37, CAN7-43	5.4...27	CEP7-1EEED
		11...55	CEP7-1EEFD
CA7-60...CA7-97 CAN7-85	20...100	CEP7-1EEGE	
CEP7-1EF Automatic or Manual Reset for 1Ø and 3Ø Applications - Trip Class 10, 15, 20, 30			
 <p>shown: CEP7-1EFAB</p>	CA7-9...CA7-23 CAN7-12, CAN7-16	0.1...0.5	CEP7-1EFAB
		0.2...1.0	CEP7-1EFBB
		1.0...5.0	CEP7-1EFCB
		3.2...16	CEP7-1EFCB
		5.4...27	CEP7-1EFEB
	CA7-30...CA7-55 CAN7-37, CAN7-43	5.4...27	CEP7-1EFED
		11...55	CEP7-1EFFD
CA7-60...CA7-97 CAN7-85	20...100	CEP7-1EFG	

TIP!

Most industrial applications usually call for an overload relay that must be manually reset in the event of a trip. This allows the cause of the overload to be identified before the motor is restarted. An overload relay that resets automatically is generally for specialized, or remote applications, such as rooftop AC units where restarting the motor will not harm people or equipment.

B
3rd Gen CEP7 Overloads

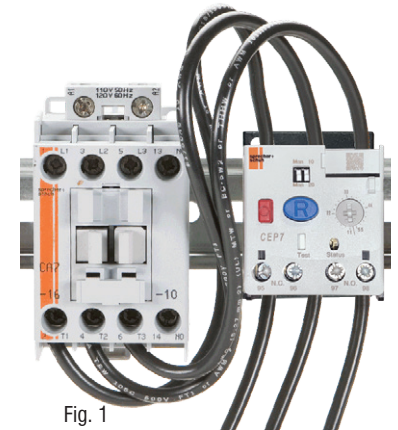





Fig. 1

Pass-Thru Models / Single & Three-phase Applications ②③

Overload Relay	for use with... ①	Adjustment Range (A)	Catalog Number
CEP7-1EE Manual Reset for 1Ø and 3Ø Applications - Trip Class 10, 20			
 <p>shown: CEP7-1EECP</p>	All contactors	1.0...5.0	CEP7-1EECP
		3.2...16	CEP7-1EEDP
		5.4...27	CEP7-1EEEP
		11...55	CEP7-1EEFP
		20...100	CEP7-1EEGP
CEP7-1EF Automatic or Manual Reset for 1Ø and 3Ø Applications - Trip Class 10, 15, 20, 30			
 <p>shown: CEP7-1EFGP</p>	All contactors	1.0...5.0	CEP7-1EFCP
		3.2...16	CEP7-1EFCP
		5.4...27	CEP7-1EFEP
		11...55	CEP7-1EFFP
		20...100	CEP7-1EFGP
CEP7-1EF Automatic or Manual Reset for 1Ø and 3Ø Applications - Trip Class 10, 15, 20, 30			
 <p>shown: CEP7-1EFLZ</p>	All contactors and external current transformers	30...150	CEP7-1EFHZ
		40...200	CEP7-1EFJZ
		60...300	CEP7-1EFKZ
		80...400	CEP7-1EFWZ
		100...500	CEP7-1EFLZ
		120...600	CEP7-1EFMZ
160...800	CEP7-1EFNZ		

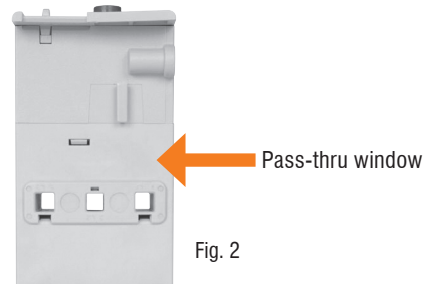


Fig. 2

Description

Fig. 1 - The Pass-Thru version of the CEP7 permits separate mounting of the overload relay.

Fig. 2 - Motor load side cables simply pass-thru a window in the overload relay body. The internal current transformers monitor the current flow.

Benefits

- No need for a panel mount adapter as required with direct-connect versions
- Eliminates 3 to 6 wire terminations
- Designed for use with CA8 or CA7 contactors
- Easily replaces outdated overload relays in existing starter assemblies
- Provides state-of-the-art accuracy and motor protection












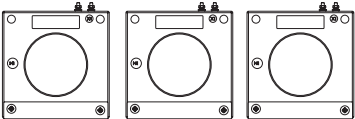
① This reference is not intended to be a guide for selecting contactors. Size overload relays using the full load current of the motor.

② The reset time of a CEP7 set in the automatic mode is approximately 120 seconds.

③ CEP7 overload relays do not work with Variable Frequency Drives, DC Applications or Softstarters with braking options.

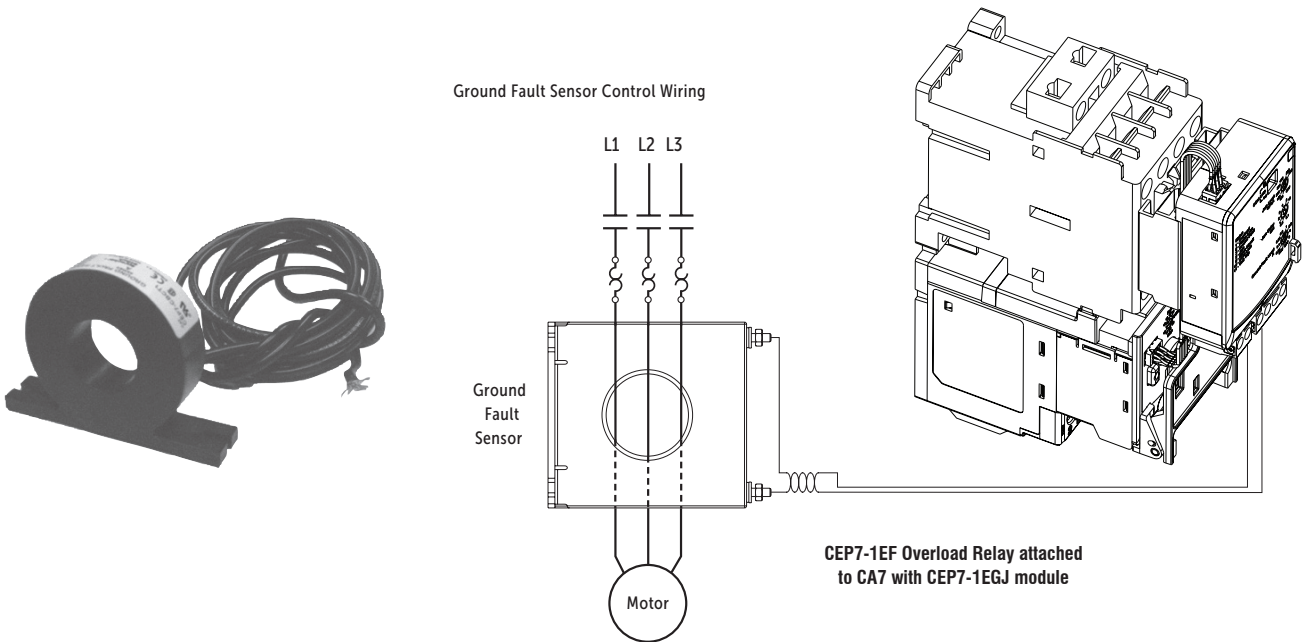
Accessories - CEP7-1

B
3rd Gen CEP7 Overloads

Accessory	Description	For use with...	Package Quantity	Catalog No.	
	Base Unit Anti-Tamper Shield		10	CEP7-1BC8	
	External Reset Adapter	CEP7-1EE, CEP7-1EF	1	CEP7-1ERA	
	Remote Reset Solenoid		240V AC	1	CEP7-1EMRA
			120V AC	1	CEP7-1EMRD
			24V DC	1	CEP7-1EMRZ
 CEP7-1EPB CEP7-1EPD CEP7-1EPE	DIN Rail/Panel Adapter	CEP7-1__B	1	CEP7-1EPB	
		CEP7-1__D	1	CEP7-1EPD	
		CEP7-1__E	1	CEP7-1EPE	
	Universal Protection Module ❶ ❷ (ground fault/jam)	CEP7-1EF	1	CEP7-1EGJ	
	Protection Accessory Anti-Tamper Shield	CEP7-1EGJ	25	CEP7-1EMC	
	Reset Adapter (electronic remote reset)	CEP7-1EF	1	CEP7-1ERR	
	Electronic Remote Indication Display	with reset	1	CEP7-ERID	
		no reset	1	CEP7-1ERIDN	
	Panel/DIN Mounting Kit (includes comm. cable)	CEP7-1EGJ, CEP7-1ERR	1	CEP7-1EIKIT1	
	Accessory Installation Kit and Spare Terminal Blocks (includes comm. cable)		1	CEP7-1EIKIT2	
Current Transformer Kits					
		For use with...	CT Ratio		
 Includes three Current Transformers (Overload relay sold separately)	CA9-265...305	300:5	Ⓢ	CEP7-CT-UL-300	
	CA9-370...580	600:5	Ⓢ	CEP7-CT-CE-300	
		400:5		CEP7-CT-UL-600	
	CA9-750...1060	~	~	CEP7-CT-CE-400	
				Refer to Factory	

❶ ATTENTION: The CEP7 Overload relay is not a ground fault circuit interrupter for personnel protection as defined in Article 100 of the NEC.
 ❷ Dynamic inhibit: Protective function is enabled after the motor current goes above 150% and then falls below 125%
 ❸ Utilizes UL or CE approved Current Transformers in conjunction with an overload selection. Refer to catalog page B1.9 for current setting guidance when using CEP7-1E_C_.

CEP7-1 Ground Fault Sensor Installation



B
3rd Gen CEP7 Overloads

CEP7 Ground Fault Sensor Selection

Ground fault current is sensed by passing all lines carrying current to and from a motor through the window of a special current transformer called a ground fault sensor. If all the current to the motor returns through the lines in the sensor window, no significant current will be induced in the sensor secondary. If, however, ground fault current returns via a path external to the sensor, such as via the conduit walls, a current will be induced in the sensor secondary. This current will be sensed and amplified by solid state circuits. If the ground fault current is larger than the selected ground fault trip level of the overload relay, the overload relay will trip.

Sensor Type	Maximum Current	Frequency	Turns Ratio	Sensor Window I.D. 	Maximum Recommended Cable Size	For use with CEP7-EGJ and CEP7-EGJ and contactor...	Catalog Number
	45A	50/60 Hz	1000:1	19.1mm (0.75 in.)	8 AWG @ 600V ❶	CA7-9...CA7-37	CEP7-CBCT1
	90A	50/60 Hz	1000:1	39.6mm (1.56 in.)	2 AWG @ 600V ❶	CA7-9...CA7-85	CEP7-CBCT2
	180A	50/60 Hz	1000:1	63.5 mm (2.50 in.)	250MCM (120mm ²) @ 600V ❶	CA7-9...CA9-190	CEP7-CBCT3
	420A	50/60 Hz	1000:1	82.3 mm (3.25 in.)	350MCM (185mm ²) @ 600V ❷	CA7-9...CA9-400	CEP7-CBCT4

❶ For a three phase system with one cable per phase.
❷ For a three phase system with two cables per phase.

Specifications - CEP7 Electronic Overload Relay

This section contains specifications, wiring diagrams, and certification information for the CEP7 Electronic Overload Relay and its accessories.

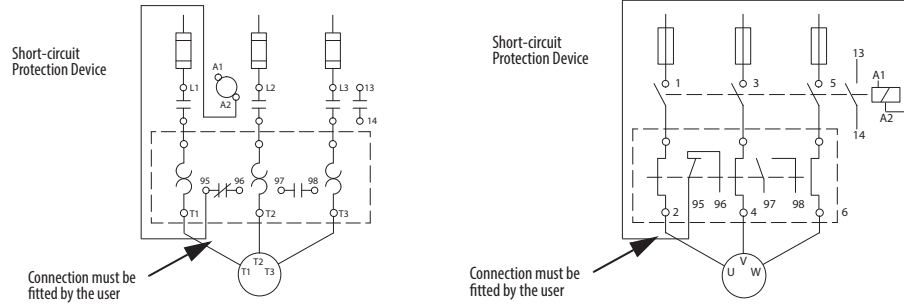
Wiring Diagrams

The figures in this section illustrate various wiring configurations for the CEP7 Electronic Overload Relay and accessories.

3rd Gen CEP7 Overloads

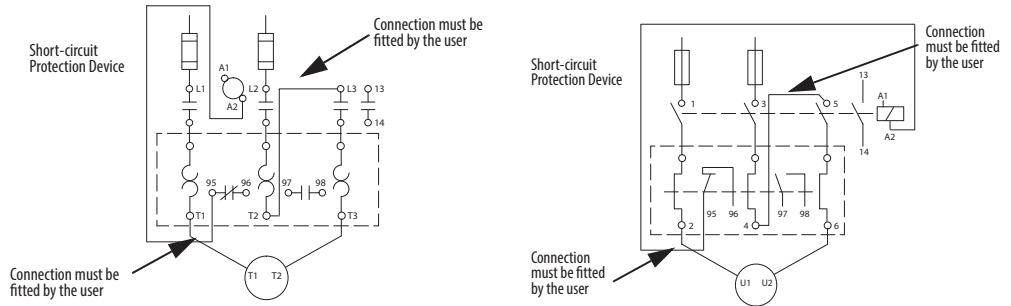
3-Phase / Full-voltage / Direct-on-Line Starter

UL/NEMA Symbology and IEC Symbology

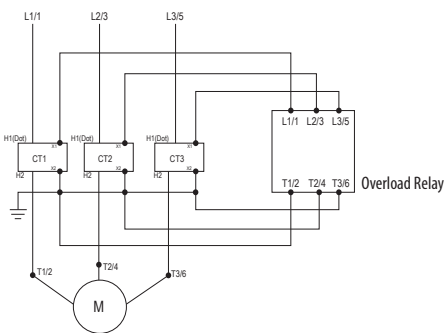


1-Phase / Full-voltage / Direct-on-Line Starter

UL/NEMA Symbology and IEC Symbology



CEP7 Overload Relay (Cat. No. CEP7-1EF_Z) with External Transformer



Standards Compliance and Certifications

This section contains specifications, wiring diagrams, and certification information for the CEP7 Electronic Overload Relay and its accessories.

Standards Compliance	Certifications
CSA22.2, No. 60947-4-1	cULus Listed – File No. E14840
EN 60947-4-1	CE Marked
UL 60947-4-1	RCM (formerly C-tick)
GB/T 14048.4-2010	CCC
SJ/T 11364, GB/T 26572, SJ/Z 11388	Environmental Protection Use Period 25 (China RoHS)
	Morocco Regulatory Certification

General Protection

Protection Type	CEP7-1EE		CEP7-1EF, CEP7-1EF	
	Trip	Warning	Trip ❶	Warning ❶
Overload	Yes	No	Yes	Yes
Phase Loss	Yes	No	Yes	Yes
Ground Fault ❷	No	No	Yes	Yes
Jam ❷	No	No	Yes	Yes

❶ Trip/Warning indication also available using the CEP7-1ERR/1EGJ and CEP7-ERID / 1ERIDN accessory modules.

❷ Additional ground fault and jam protection accessory CEP7-1EGJ required.

Overload Protection

Attribute	Rating	
	CEP7-1EE..	CEP7-1EF..
Type of Relay	Ambient Compensated Time-Delay Phase Loss Sensitive	
Nature of Relay	Solid-state	
FLA Setting	Rotary Dial	
Trip Rating	120% FLA	
Trip Class	10, 20	10, 15, 20, 30
Reset Mode	Manual	Automatic or Manual
Overload Reset Level	Auto Reset occurs at 70% TCU when accessory powered, after 2 minutes when self powered. Manual Reset can occur anytime by pressing the manual reset button. Electronic Reset (ERID input) can only occur below 70% TCU.	

* Typical reset time for CEP7-1EF devices set to automatic reset mode is dependent upon overload trip class. Typical reset time for Trip Class 10 is 90 seconds, Trip Class 15 is 135 seconds, Trip Class 20 is 180 seconds, and Trip Class 30 is 270 seconds.

Ground Fault Protection

Attribute	Rating CEP7-1EF
Type	Core Balanced
Intended Use	Equipment Protection
Classification (Per UL 1053)	Evaluated to UL 1053 but not listed as such
Internal Protection Range	0.02...5.0 A
Trip and Warning Time Delay	Fixed at 100 msec ± 20 msec

Technical Information

Motor/Load Ratings		
Terminals	1/L1, 3/L2, 5/L3, 2/T1, 4/T2, 6/T3	
Terminal Style Devices		
Rated Insulation Voltage - (U_i)	[V]	690V AC
Rated Operating Voltage - (U_o) IEC	[V]	690V AC
Rated Operating Voltage - (U_o) UL	[V]	600V AC
Pass-thru Style Devices		
Rated Insulation Voltage - (U_i)	[V]	1000V AC
Rated Operating Voltage - (U_o) IEC	[V]	1000V AC
Rated Operating Voltage - UL/CSA	[V]	600V AC
Rated Impulse Voltage - (U_{imp})	[kV]	6 kV AC
Rated Operating Current - (I_o)	See product selection table	
Rated Frequency	[Hz]	45...65

Control Relay Ratings

Relay N.O./N.C.		
Type of Contacts	Ag/Ni	
Rated Thermal Current (I_{the})	B600: 5.0 A; C600: 2.5 A; R300: 1.0 A	
Contact Reliability	[V]	17 V, 5 mA
Rated Insulation Voltage - (U_i)	[V]	690V AC
Rated Operation Voltage - (U_o)	[V]	690 AC (IEC) / 600 AC (UL/CSA)
Rated Operating Current (I_o)	[V]	B600: 3 A (@120V AC), 1.5 A (@240V AC)
	[V]	C600: 1.5 A (@120V AC), 0.75 A (@240V AC)
	[V]	R300: 0.22 A (@125V DC), 0.11 A (@250V DC)
Minimum Operating Current	[V]	10 mA @ 5V DC
Rating Designation	N.O. C600 / N.C. B600 (AC) N.O. / N.C. R300 (DC)	
Utilization Category		
AC-15/DC-13		
B600 VA Rating	3,600VA make / 360VA break	
C600 VA Rating	1,800VA make / 180VA break	
R300 VA Rating	28VA make / 28VA break	

Rated Number of Mechanical Operations

Relay N.O./N.C.	10,000
W/ CA7-9...CA7-37	13,000,000
W/ CA7-43...CA7-55	12,000,000
W/ CA7-60...CA7-97	6,000,000

Table for using Current Transformers with CEP7-1E_C_ (range 1.0...5.0 amps) overload relay

Current Setting	CT Ratio 150:5 Equivalent FLA	CT Ratio 200:5 Equivalent FLA	CT Ratio 300:5 Equivalent FLA	CT Ratio 500:5 Equivalent FLA	CT Ratio 600:5 Equivalent FLA	CT Ratio 800:5 Equivalent FLA	CT Ratio 1000:5 Equivalent FLA	CT Ratio 1500:5 Equivalent FLA
1.00	30	40	60	100	120	160	200	300
1.25	38	50	75	125	150	200	250	375
1.50	45	60	90	150	180	240	300	450
1.75	53	70	105	175	210	280	350	525
2.00	60	80	120	200	240	320	400	600
2.25	68	90	135	225	270	360	450	675
2.50	75	100	150	250	300	400	500	750
2.75	83	110	165	275	330	440	550	825
3.00	90	120	180	300	360	480	600	900
3.25	98	130	195	325	390	520	650	975
3.50	105	140	210	350	420	560	700	1050
3.75	113	150	225	375	450	600	750	1125
4.00	120	160	240	400	480	640	800	1200

① For multiple conductor applications, the same size and style wire must be used.

Technical Information

3rd Gen CEP7 Overloads



Environmental Ratings		Overload Rating	Accessory Rating
Ambient Temperature	Storage [°C]	-40...+85 (-40...+185 °F)	
	Operating (open) [°C]	-20...+65 (-4...+149 °F)	
	Operating (enclosed)	-20...+50 °C (-4...+122 °F)	-20...+55 °C (-4...+131 °F)
Humidity	Operating [%]	5...95% Non-condensing; 92% R.H.	
	Damp Heat - Steady State (per IEC 60068-2-78)	93% R.H., 40 °C (104 °F), 56 days	
	Damp Heat - Cyclic (per IEC 60068-2-30)	93% R.H., 25 °C/40 °C (77 °F/104 °F), 21 Cycles	
Cooling Method		Natural convection	
Vibration (per IEC 68-2-6), operating		[G]	3
Shock (per IEC 68-2-27), operating		[G]	30
Maximum Altitude		[m]	2000
Pollution Environment		Pollution Degree 3	
Degree of Protection		IP20 (front of panel)	IP20

Electromagnetic Compatibility

Immunity and Emissions		Overload Rating	Accessory Rating
Electrostatic Discharge Immunity			
IEC 61000-4-2, IEC 60533		6 kV Contact Discharge, 8kV Air Discharge (Performance Criterion "B")	8 kV Contact Discharge, 8kV Air Discharge (Performance Criterion "B")
Radio Frequency Immunity			
		[Hz]	10V/m; 80 MHz...1.0 GHz
IEC 61000-4-3		[Hz]	3V/m; 1.4 GHz...2.0 GHz
		[Hz]	1V/m; 2.0 GHz...2.7 GHz
IEC 60533		[Hz]	10V/m; 80 MHz...2.0 GHz (Performance Criterion "A")
Electrical Fast Transient / Burst Immunity			
IEC 61000-4-4, IEC 60533		[V]	4kV (3-phase Power); 2kV (Control Power & Communication I/O when CEP7-1ERR or CEP7-1EGJ accessory installed); Performance Criterion "A"
Surge Immunity			
IEC 61000-4-4, IEC 60533		[V]	2kV (L-N); 1kV (L-L); Performance Criterion "B"
Radiated Emissions			
CISPR11 Environment A		[Hz]	30 MHz...1.0 GHz
IEC 60533		[Hz]	150KHz...2.0GHz
Conducted Emissions			
CISPR11 Environment A		[Hz]	150 KHz...30 MHz
IEC 60533		[Hz]	10 KHz...30 MHz (General Power Distribution Only)
Conducted Immunity			
IEC 61000-4-6, IEC 60533		[Hz]	Modulation 80% AM at 1 KHz; 10V RMS (150 KHz...80 MHz)
Power Frequency Magnetic Field Immunity			
IEC 60947-1, IEC 61000-4-8		[Hz]	30 A/m; 50 Hz
Voltage Variation Immunity			
IEC 61000-4-11, IEC 60533		[V]	— Control Power 40...240V (AC/DC)

Wiring Specifications

Wiring Specifications for CEP7-1E_B, CEP7-1E_D, and CEP7-1E_E

Wire Type		Control Wiring		Power Wiring					
		All		CEP7-1E B		CEP7-1E D		CEP7-1E E	
Wires	Range	Torque	Range	Torque	Range	Torque	Range	Torque	
 Flexible Stranded w/ Ferrule	1 Wire	0.75...2.5 mm ²	1.4 N•m	2.5...16 mm ²	2.5 N•m	2.5...16 mm ²	2.5 N•m	4...35 mm ²	4.6 N•m
	2 Wires ①			2.5...10 mm ²	3.4 N•m	2.5...10 mm ²	3.6 N•m	4...25 mm ²	
 Stranded / Solid	1 Wire	0.75...4.0 mm ² (18...12 AWG)	1.4 N•m (12 lb•in)	2.5...16 mm ² (14...6 AWG)	2.5 N•m (22 lb•in)	2.5...16 mm ² (14...6 AWG)	2.5 N•m (22 lb•in)	4...35 mm ² (12...1 AWG)	4.6 N•m (40 lb•in)
				25 mm ² (4 AWG)	3.4 N•m (30 lb•in)	25 mm ² (4 AWG)	3.4 N•m (30 lb•in)	4...35 mm ² (12...1 AWG)	
	2 Wires ①			2.5...16 mm ² (14...6 AWG)	3.4 N•m (30 lb•in)	2.5...16 mm ² (14...6 AWG)	3.6 N•m (32 lb•in)	4...35 mm ² (12...2 AWG)	

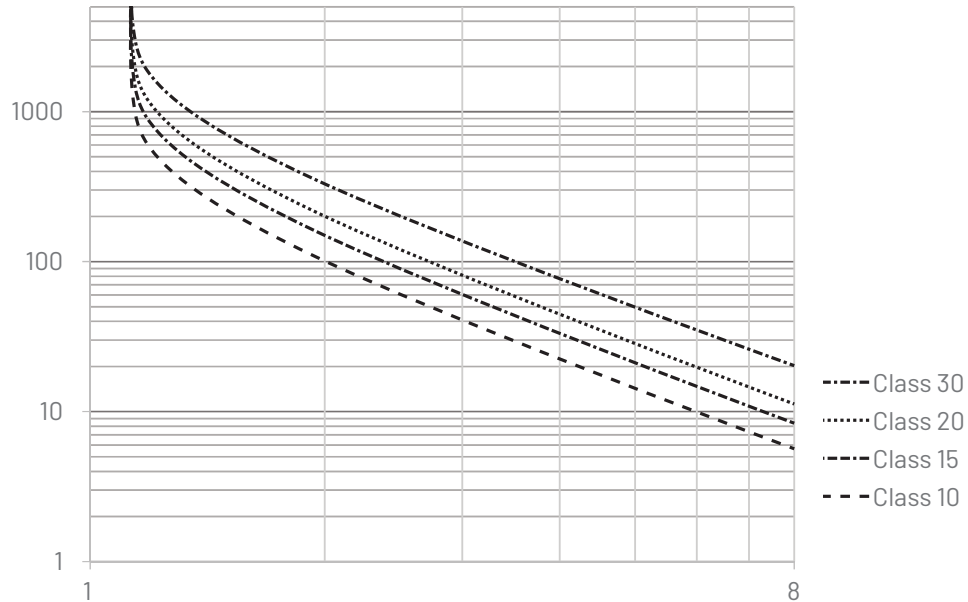
Technical Information

Overload Trip Curves

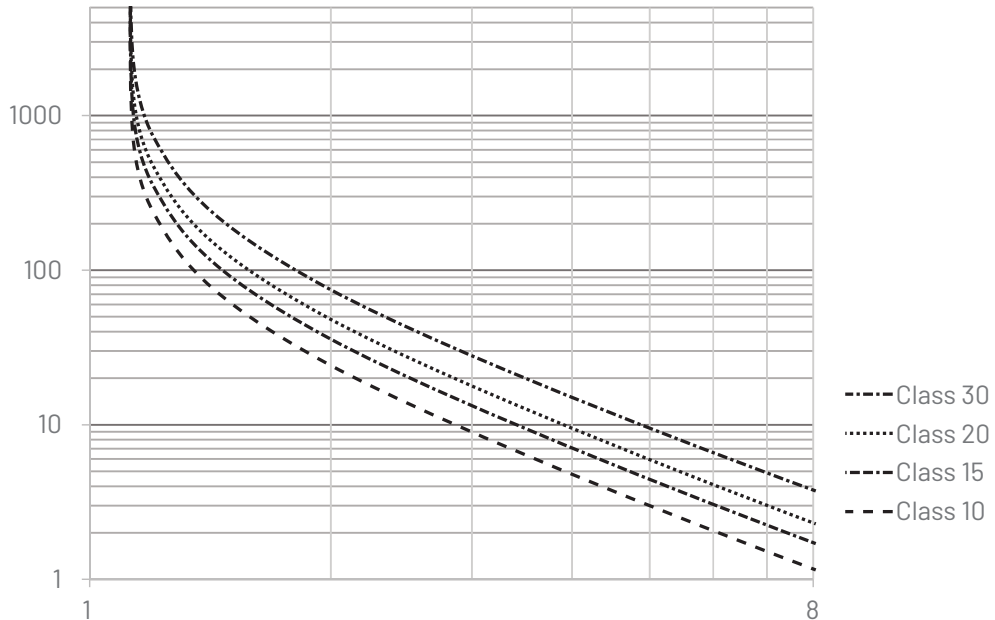
Typical reset time for CEP7-1EF devices set to automatic reset mode is dependent upon overload trip class. Typical reset time for Trip Class 10 is 90 seconds, Trip Class 15 is 135 seconds, Trip Class 20 is 180 seconds, and Trip Class 30 is 270 seconds.

B
 3rd Gen CEP7 Overloads

Cold Trip Curves



Hot Trip Curves

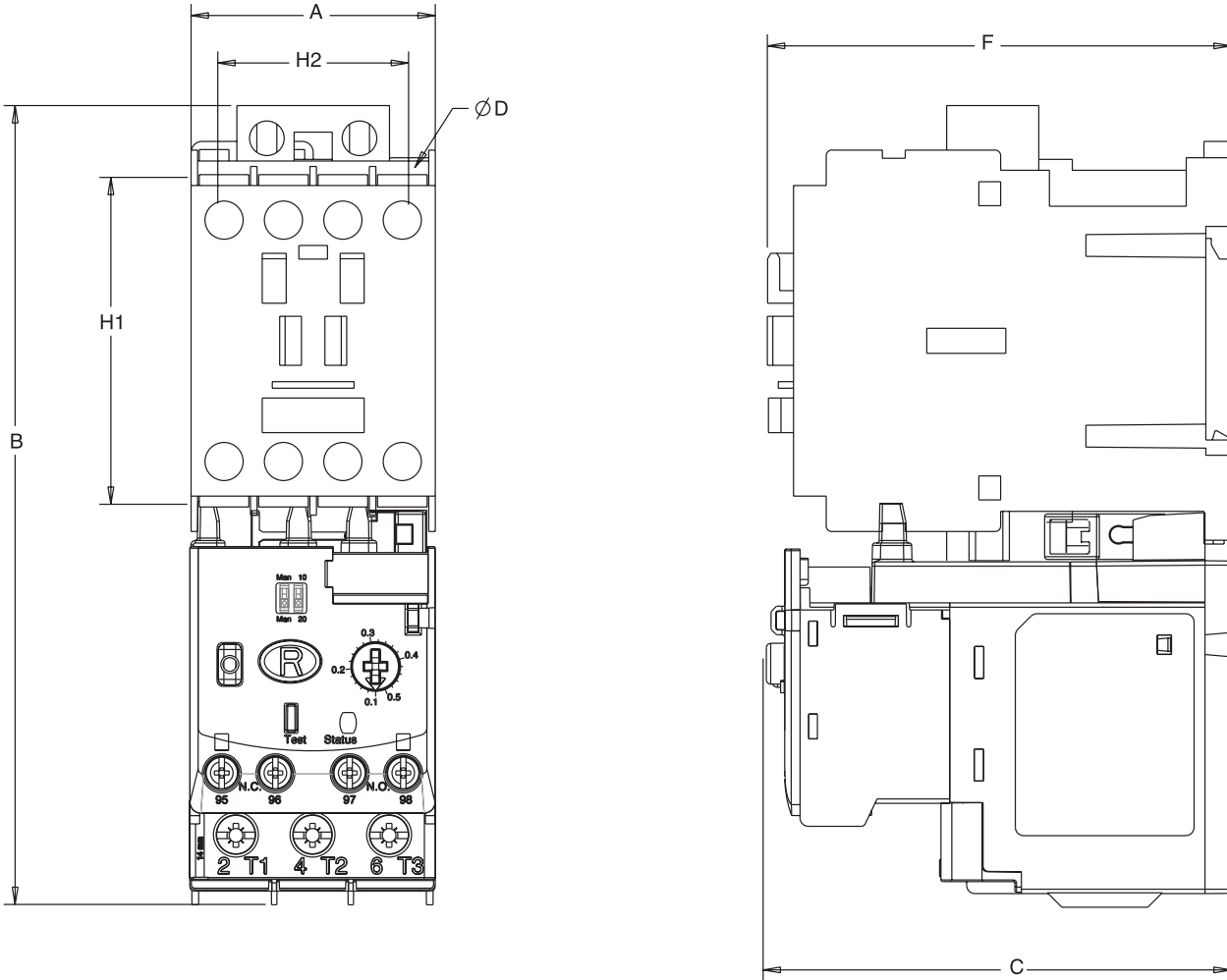


B

3rd Gen CEP7 Overloads

CEP7-1 Mounted to CA7 Contactor

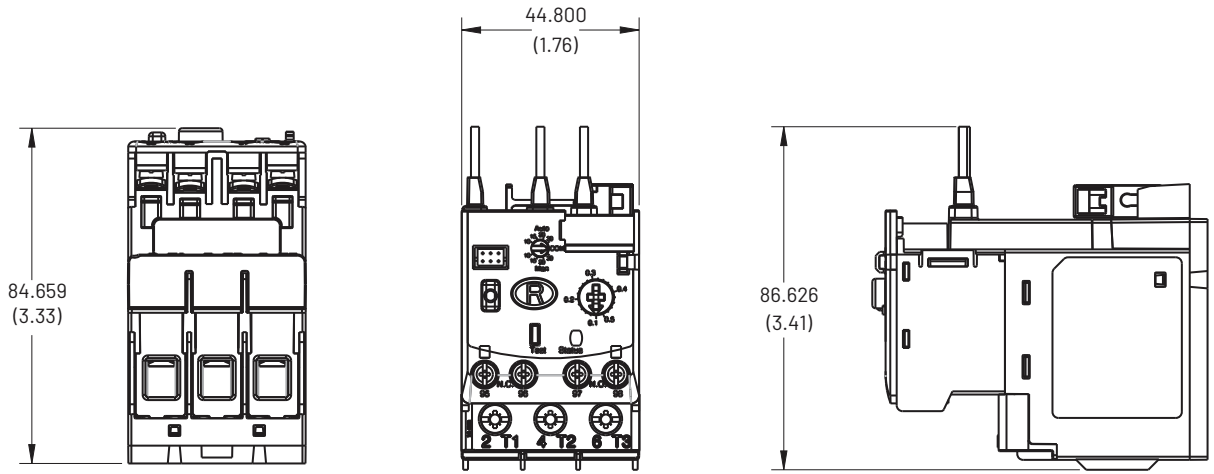
Dimensions are in millimeters (inches). Dimensions not intended for manufacturing purposes.



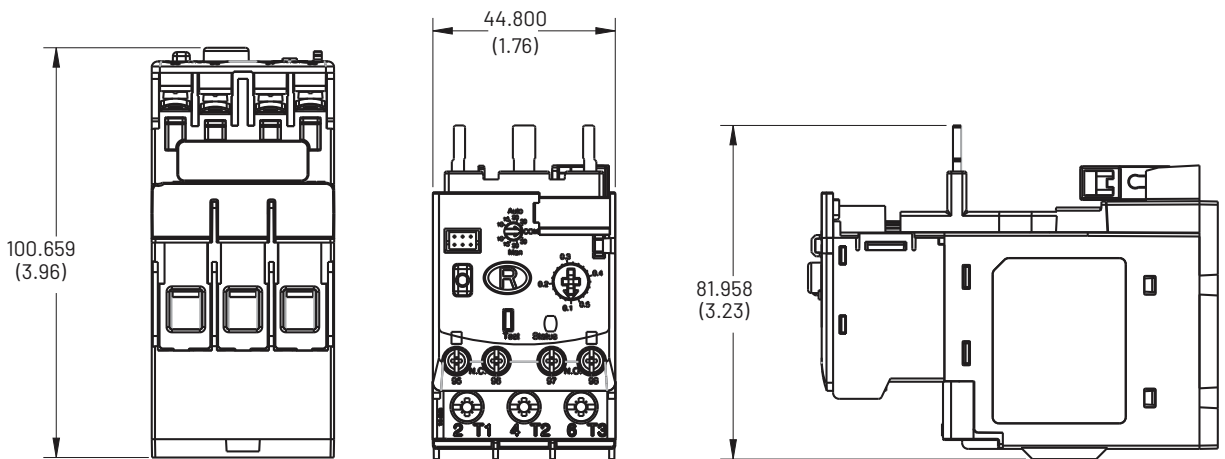
Overload	Mounted to Contactor		A Width	B Height	C Depth	D	F	H1	H2
CEP7-1EE/EF_B	CA7-9...23 CAN7-12...16	mm (in)	45 (1-25/32)	146.6 (5-25/32)	85.2 (3-23/64)	4.5 (3/16)	86.5 (3-13/32)	60 (2-23/64)	35 (1-3/8)
CEP7-1EE/EF_D	CA7-30...37 CAN7-37	mm (in)	45 (1-25/32)	146.6 (5-25/32)	101.2 (3-63/64)	4.5 (3/16)	104 (4-3/32)	60 (2-23/64)	35 (1-3/8)
CEP7-1EE/EF_D	CA7-43...55 CAN7-43	mm (in)	54 (2-1/8)	146.6 (5-25/32)	101.2 (3-63/64)	4.5 (3/16)	107 (4-3/32)	60 (2-23/64)	45 (1-25/32)
CEP7-1EE/EF_E	CA7-60...97 CAN7-85	mm (in)	72 (2-53/64)	192.3 (7-37/64)	120.4 (4-3/4)	5.4 (7/32)	125.5 (4-15/16)	100 (3-15/16)	55 (2-11/64)

CEP7-1 Direct-Mount

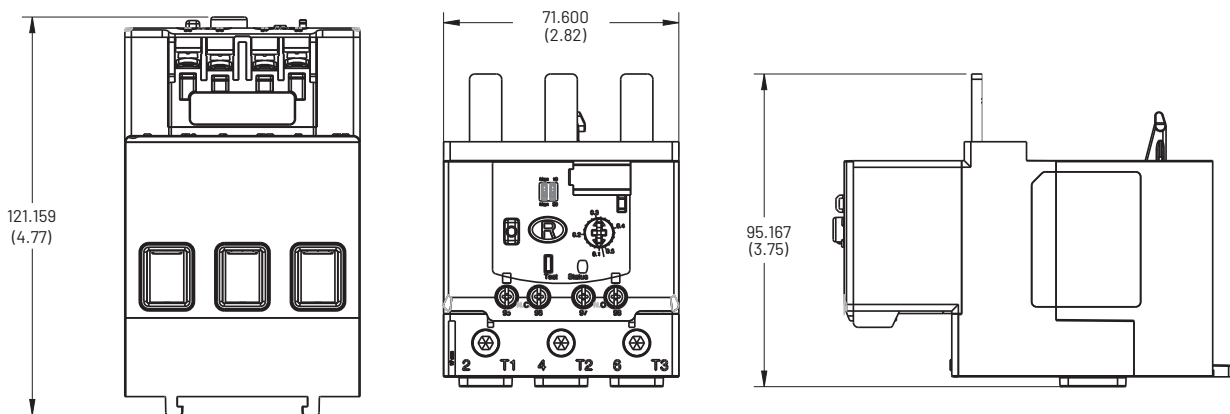
CEP7-1_B



CEP7-1_D



CEP7-1_E

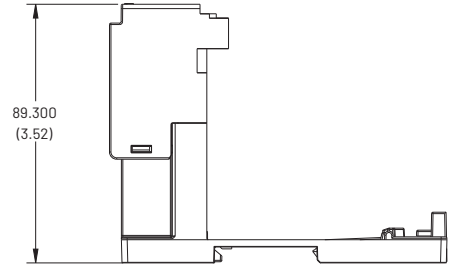
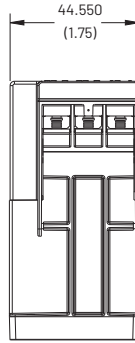
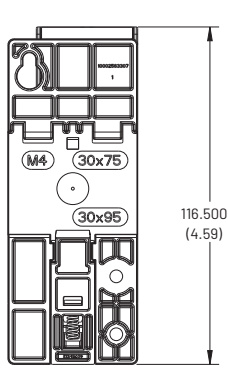
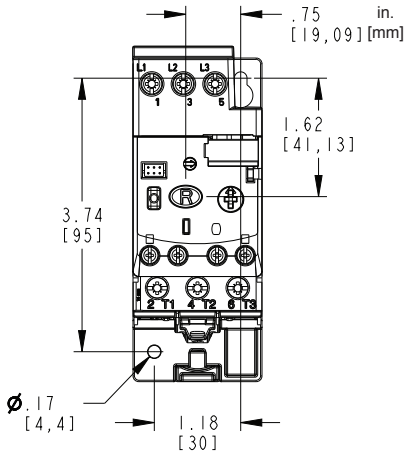


B

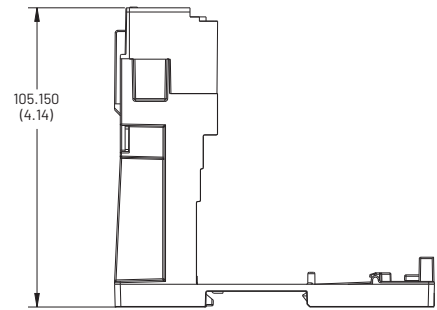
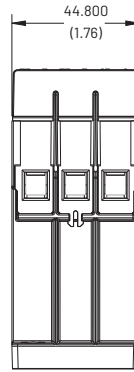
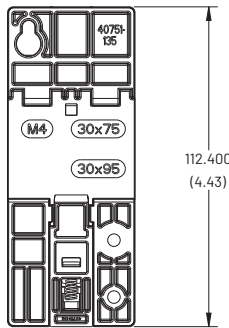
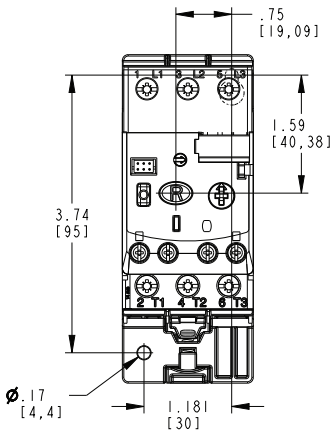
3rd Gen CEP7 Overloads

CEP7-1 with CEP7-1EP... Panel Mount Adaptor

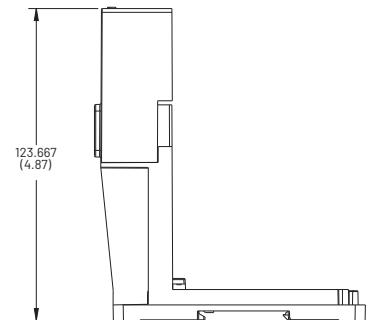
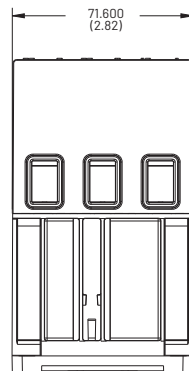
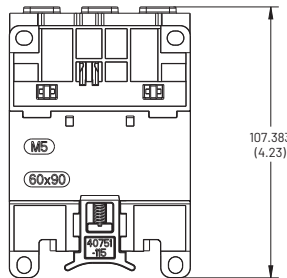
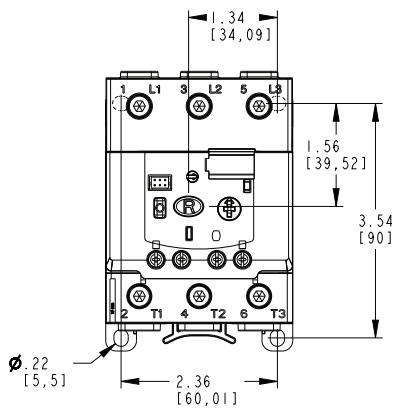
CEP7-1EPB Panel Mount for CEP7-1_B



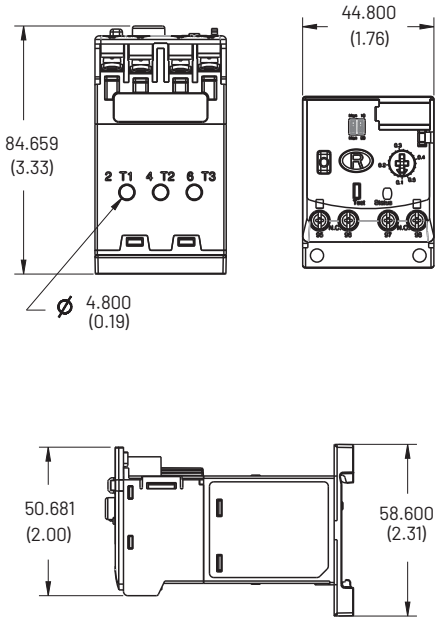
CEP7-1EPD Panel Mount for CEP7-1_D



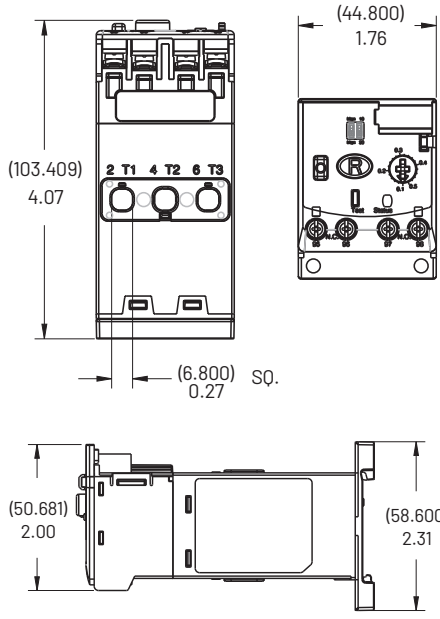
CEP7-1EPE Panel Mount for CEP7-1_E



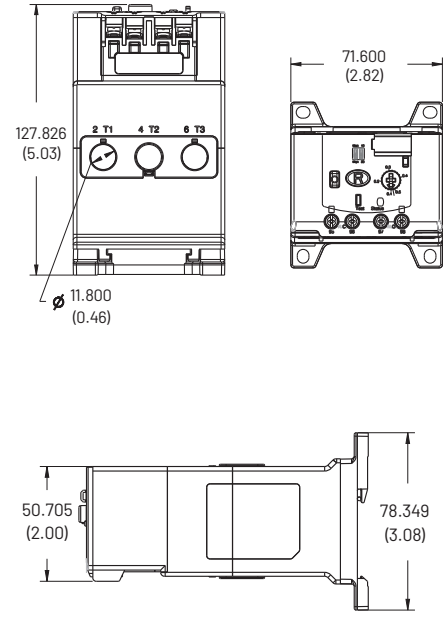
CEP7-1EE & CEP7-1EF Pass-thru Overload / 1.0...27A



CEP7-1EE & CEP7-1EF Pass-thru Overload / 11...55A



CEP7-1EE & CEP7-1EF Pass-thru Overload / 20...100A

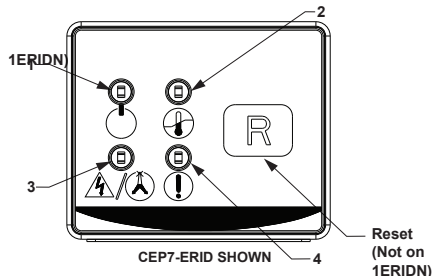


CEP7-ERID and CEP7-1ERIDN Remote Indicator

Indication

Starter:

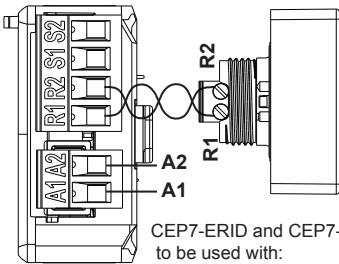
- ① Fault Code:
- 3-Ground Fault
- 5-Jam
- 9-Welded Cont *
- 10-Comm Loss
- 11-Test Trip



* Applies to OLRF Module only - KTE9-OLRF

LED	Function	Symbol	Fault or Status	Flash Code
			Module Power	Green (Flash)
			Module Power + Motor Current	Green (Solid)
			Hardware Fault	Red (Solid)
2	Overload		Overload Trip / Warning*	Yellow (Flash)
3	Phase Loss		Short Circuit Trip	Red (Solid)
			Phase Loss Trip / Warning	Red / Yellow (Flash)
			Ground Fault Trip / Warning	3 Red / Yellow (Flash)
4	Fault Status		Jam Trip / Warning	5 Red / Yellow (Flash)
			Welded Cont*	9 Red (Flash)
			Comm Loss / Warning	10 Red / Yellow (Flash)
			Test Trip	11 Red (Flash)

Wiring Diagram



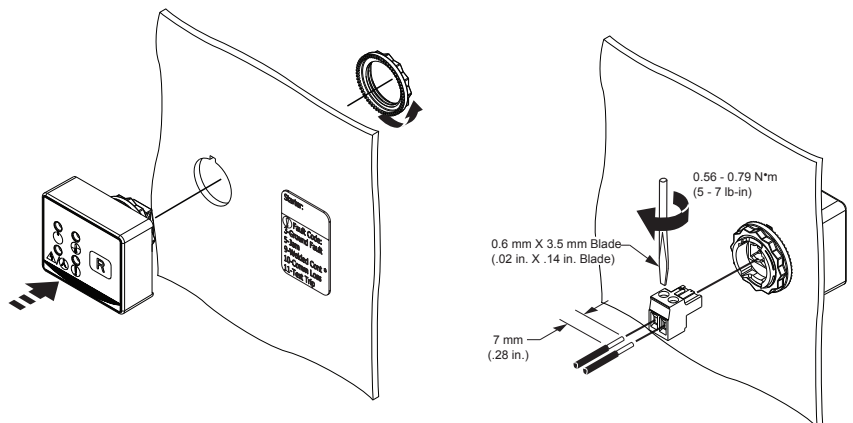
CEP7-ERID and CEP7-1ERIDN to be used with:
CEP7-1EGJ
CEP7-1ERR

Main Connections

Rated Insulation Voltage (Ui): 30V
Rated Operational Voltage (Ue) IEC/UL: 24V DC

	Torque
mm ²	0.55 N·m
VG	(5 lb-in)

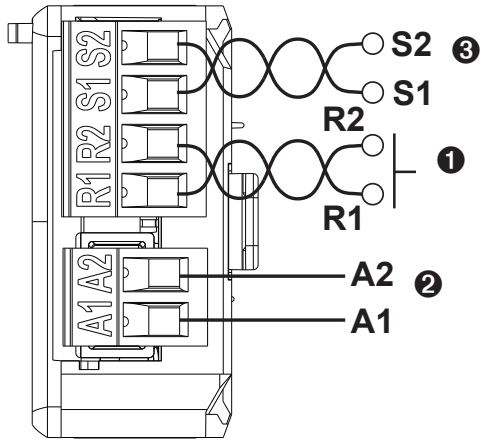
Recommend use of twisted pair for remote reset 24 AWG Minimum



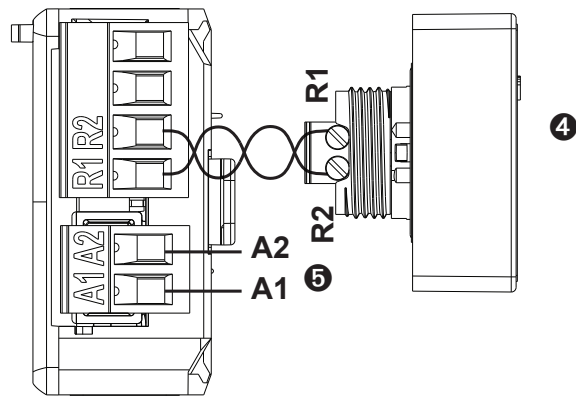
Expansion Accessory Ratings CEP7-1EGJ/1ERR

Attribute	Rating
Rated Insulation Voltage Ui	264V (AC/DC)
Rated Operating Voltage Ue, IEC	24...240V (AC/DC)
Rated Frequency	45...65 Hz
Power Consumption	0.8 Watts at 24V AC; 1.0 Watts at 240V AC

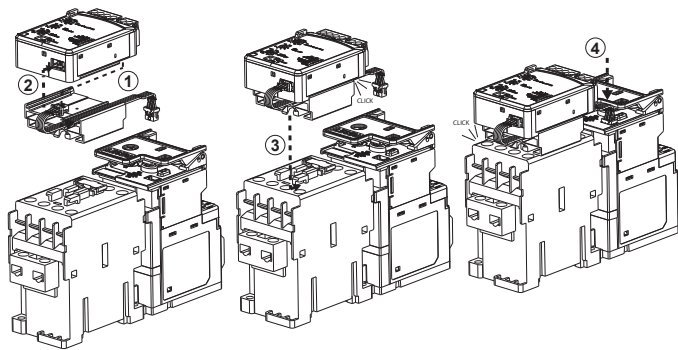
CEP7-1EGJ Universal Protection Expansion Module Wiring



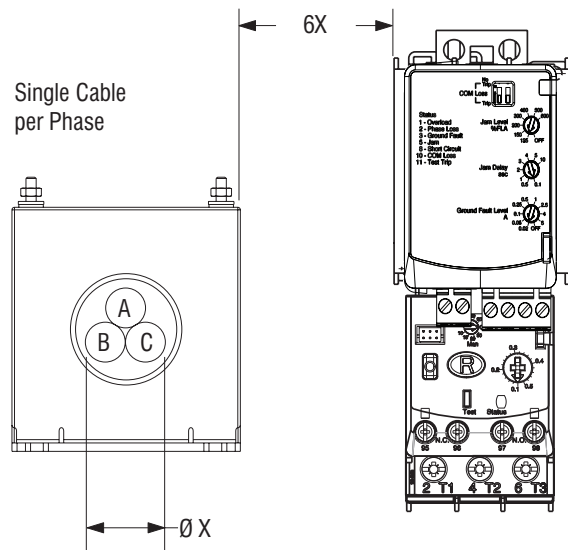
CEP7-1ERR Electronic Reset and Indication Display Module Wiring



Module Installation



Module Installation with CEP7-CBCT



- ❶ Terminals R1 and R2 are used with CEP7-ERID and CEP7-1ERIDN modules.
- ❷ External power must be user supplied. 24...240V, 47...63 Hz or DC.
- ❸ Connect current sensor to Terminal S1 and S2

- ❹ Terminals R1 and R2 are used with CEP7-ERID and CEP7-1ERIDN modules.
- ❺ External power must be user supplied. 24...240V, 47...63 Hz or DC.

CEP7 Solid State Overload Relays

DISCONTINUED

Advanced solid state motor protection

The CEP7 solid state overload relay includes advanced technology with several key features like:

- Selectable trip class and field installable modules
- A wide (5:1) set current adjustment range
- A robust mechanical and electrical mounting
- Self-sealed latching mechanism

The basic concept of utilizing Application Specific Integrated Circuits (ASICs) results in an affordable solid state overload relay. This kind of versatility and accuracy is simply not possible with traditional bimetallic or eutectic alloy electromechanical overload relays.

Fewer units means greater application flexibility

The CEP7 Solid State Overload Relay is available in three basic models:

- CEP7-ED1 is a Class 10, manual reset model available up to 45 amperes which covers the most common horsepower motors and your every day application. This model is economically priced to be competitive with adjustable bimetallic overload relays.
- CEP7-EE is a full featured selectable trip class (10, 15, 20 & 30) 3-phase application overload relay with provision for field mountable modules to handle remote reset, jam protection, and other modules previously available only in higher priced electronic overload relays.

Manual reset or automatic reset can be selected with dip switches on the CEP7-EE models.

- CEP7S-EE is a 1-phase application overload relay packing all features of the 3-phase CEP7-EE model.



Wide current adjustment range

Thermal or bimetallic overload relays typically have a small current adjustment range of 1.5:1 meaning that the maximum setting is generally 1.5 times the lower setting. The CEP7 caused the industry to take note of the flexibility when it first introduced a 3.2:1 adjustment ratio. A wider adjustment range is the primary reason the industry has been turning to more specifications calling for electronic overload relay protection over thermal overload relays. Sprecher + Schuh's CEP7 overload relay is capable of adjustment to a maximum of five times the minimum set current, which dramatically reduces the number of units required on-hand to cover the full range of current settings up to 200 amperes.

5 : 1 Current Range



45A



45A



120A



30A

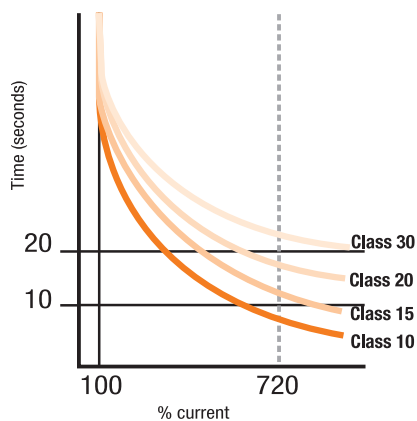
200A



B

CEP7 Overloads

DISCONTINUED



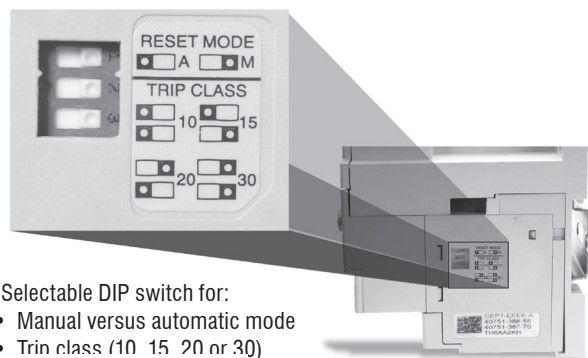
CEP7 overload relays are available with Class 10, 15, 20 or 30 tripping characteristics

Selectable tripping class

Because of today's lighter T-frame motors, Class 10 overload relays (relays that trip within 10 seconds of a locked rotor condition) have become the industry standard. If your application requires a longer motor run-up time, the CEP7-EE Selectable Trip Class has DIP-switches providing Trip Class selection of 10, 15, 20 or 30 seconds. This ability allows you to closely match the Trip Class with the run-up time of the motor.

Choice of reset options

Most industrial applications usually call for an overload relay that must be manually reset in the event of a trip. This allows the cause of the overload to be identified before the motor is restarted. In specialized cases, however, such as rooftop AC units or where restarting the motor will not harm people or equipment, automatic reset may be desired. CEP7-ED1 overload relays are available with Manual Reset exclusively which keeps the cost down. CEP7-EE models have a selectable dip switch for Manual or Automatic Reset modes.



Selectable DIP switch for:
• Manual versus automatic mode
• Trip class (10 15 20 or 30)

The CEP7 has been tested to operate in -20° C. or up to 60° C (140 °F) and withstand 3G of vibration or 30G of shock on a mountain up to an altitude of 2000m or in a jungle at 95% humidity. Reliability under every conceivable environmental condition is a quality built into the design of the CEP7 electronic overload relay.

Self-powered design means convenience

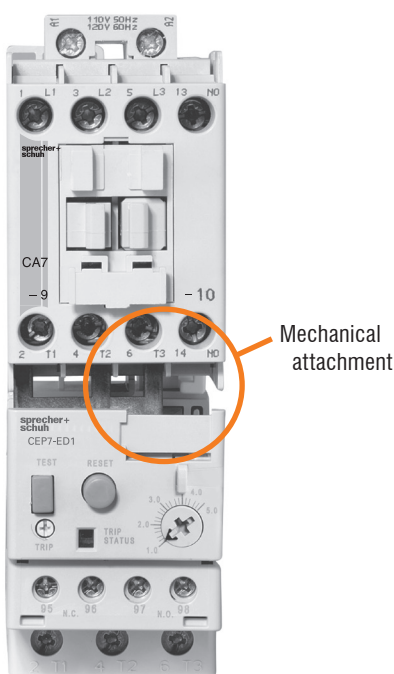
By developing the power it requires from the applied voltage, the CEP7 is "self-powered," eliminating the need for a separate control power source. This is not the case with some other electronic overload relays. Since the CEP7 is self-powered and a traditional auxiliary contact is used to interface with the contactor, the user can apply the CEP7 the same way as an electromechanical overload. No special connections or control schematic diagram provisions are required in 3-phase applications.

Superior phase failure protection

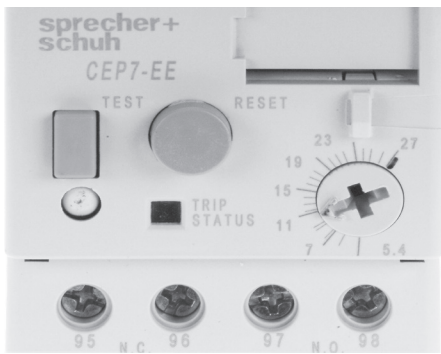
The CEP7's on-board electronics are constantly monitoring all three phases. If the ASIC board senses that one phase is missing during a steady state running condition on a fully loaded motor, it will trigger in 3 seconds. If a single phase condition is present during starting, the CEP7 will trip within 8 seconds (for a motor >80% loaded). These times are much faster than any thermal bimetallic overload relay. In addition, CEP7 overload relays detect a 50% phase imbalance in the same way as a phase loss.

Robust design

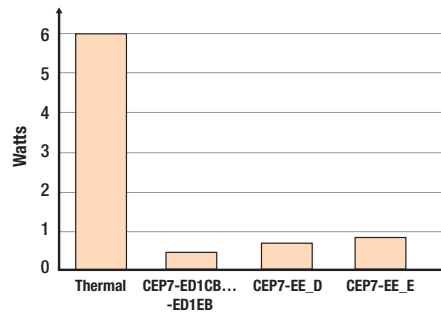
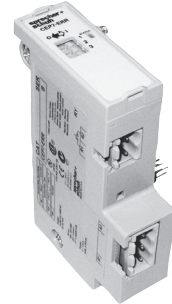
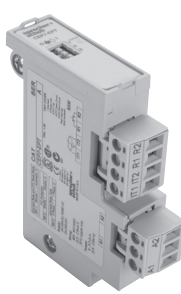
The CEP7 has been designed to physically extend to the back-pan therefore aligning the mounting of the overload with the corresponding contactor. Further, the mechanical attachment and direct electrical connection to the contactor provides a robust mounting, which means less damage from shipping or during field wire installation. The bipolar latching relay which controls the normally closed trip contacts and normally open alarm circuit contacts have been self-enclosed, therefore insulating the electromagnet and shielding against airborne metal particles and other potential environmental debris.



Mechanical attachment



DISCONTINUED



Conventional overload relays dissipate as much as six watts of energy compared with as little as 0.5 watts for a comparable size CEP7

Increased accuracy and improved motor protection

Microelectronics provide flexible and accurate motor overload protection. Unlike traditional overload relays that simulate heat build-up in the motor by passing current through a heater element, CEP7 solid state overload relays measure motor current directly through integrated current transformers. The transformers, in turn, create a magnetic field that induces DC voltage onto the ASIC board. The electronics identify excessive current or loss of phase more accurately, and react to the condition with greater speed and reliability than traditional overload relays. In addition, CEP7 solid state relays offer setting accuracies from 2.5 – 5% and repeat accuracy of 1%.

Dramatically lowered energy requirement saves money, reduces panel space


Because traditional overload relays work on the principle of “modeling” the heat generated in the motor (recreating the heat in the bimetal elements or heaters), a significant amount of energy is wasted. In traditional bimetallic overload relays, as many as six watts of heat are dissipated to perform the protective function. Because the CEP7 uses sampling techniques to actually measure the current flowing in the circuit, very little heat is dissipated in the device...as little as 0.5 watts. This not only reduces the total amount of electrical energy consumed in an application, but it can also have a dramatic impact on the design and layout of control panels. The density of motor starters can be much greater because less heat is generated by each of the individual components. Higher density results in smaller control panels. In addition, special ventilation or air conditioning that might have been required to protect sensitive electronic equipment such as PLC's can now be reduced or eliminated. CEP7 overload relays dramatically reduced energy requirement saves money and reduces panel space.

Additional Protection with Side Mount Modules

The CEP7 offers a variety of field installable accessories for side mount on the left side. Side mount modules provide additional motor protection functionality traditionally found only on more expensive models. Modules include the following additional features.

- **Remote Reset** provision for reset after trip from a remote pilot device
- **Jam Protection/Remote Reset** provides adjustable Jam set points and trip delay plus remote reset
- **Ground Fault Protection/Remote Reset** combined with ground fault current transformers provide adjustable set points for ground fault trip protection of equipment plus remote reset
- **Ground Fault/Jam Protection/Remote Reset** combines all three features as described above
- **PTC Thermistor Relay/Remote Reset** manages thermistor sensor signals from the motor
- **Network Communication Modules** provide motor diagnostic information via **Ethernet** communication
 - Two discreet Inputs and one discreet Output
 - Differentiate between various motor protection algorithms
 - Overload and underload warning
 - Jam protection
 - Proactively alert maintenance personnel just before or when a fault occurs
 - Plus remote reset



Directly Mounted CEP7 Solid State Overload Relays, Manual Reset ①②④

Overload Relay	Directly Mounts to Contactor... ②	Adjustment Range (A)	Trip Class 10
			Catalog Number
Manual Reset for 3Ø Applications ①			
	CA7-9...CA7-23 CAN7-12, CAN7-16	0.1...0.5	CEP7-ED1AB
		0.2...1.0	CEP7-ED1BB
		1.0...5.0	CEP7-ED1CB
		3.2...16	CEP7-ED1DB
		5.4...27	CEP7-ED1EB
	CA7-30...CA7-55 CAN7-37, CAN7-43	1.0...5.0	CEP7-ED1CD
		3.2...16	CEP7-ED1DD
		5.4...27	CEP7-ED1ED
		9...45	CEP7-ED1FD

Directly Mounted CEP7 Solid State Overload Relays, Automatic/Manual Reset ①②③④

TIP!

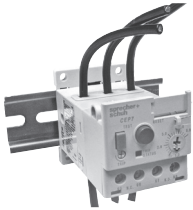
Most industrial applications usually call for an overload relay that must be manually reset in the event of a trip. This allows the cause of the overload to be identified before the motor is restarted. An overload relay that resets automatically is generally for specialized, or remote applications, such as rooftop AC units where restarting the motor will not harm people or equipment.

Overload Relay	Directly Mounts to Contactor... ②	Adjustment Range (A)	Adjustable Trip Class 10, 15, 20 & 30
			Catalog Number
Automatic or Manual Reset for 3Ø Applications ①			
	CA7-9...CA7-23 CAN7-12, CAN7-16	0.1...0.5	CEP7-EEAB
		0.2...1.0	CEP7-EEBB
		1.0...5.0	CEP7-EECB
		3.2... 16	CEP7-EEDB
		5.4...27	CEP7-EEEB
	CA7-30...CA7-55 CAN7-37, CAN7-43	1.0...5.0	CEP7-EECD
		3.2...16	CEP7-EEDD
		5.4...27	CEP7-EEED
		9...45	CEP7-EEFD
	CA7-60...CA7-97 CAN7-85	11...55	CEP7-EEQD
		5.4...27	CEP7-EEEE
CA7-60...CA7-97 CAN7-85	9...45	CEP7-EEFE	
	18...90	CEP7-EEGE	
	60...120	CEP7-EEVE	
Automatic or Manual Reset for 1Ø Applications ①			
	CA7-9...CA7-23 CAN7-12, CAN7-16	1.0...5.0	CEP7S-EEPB
		3.2...16	CEP7S-EERB
		5.4...27	CEP7S-EESB
	CA7-30...CA7-43 CAN7-37, CAN7-43	9...45	CEP7S-EETD
	CA7-60...CA7-97 CAN7-85	18...90	CEP7S-EEUE

- ① 3-phase CEP7 units are only designed for 3Ø applications. Single phase CEP7S units are only designed for single phase applications.
- ② This reference is not intended to be a guide for selecting contactors. Size overload relays using the full load current of the motor.

- ③ The reset time of a CEP7 set in the automatic mode is approximately 120 seconds.
- ④ CEP7 overload relays do not work with Variable Frequency Drives, DC Applications or Softstarters with braking options.

Pass-Thru CEP7 Solid State Overload Relays ⑤

Overload Relay	Separate Mount for use with... ②	Adjustment Range (A)	Trip Class 10
			Catalog Number
Manual Reset for 3Ø Applications ①④			
 Fig. 1	CA8-09...12 CA7-9...CA7-23 CAN7-12...CAN7-37	1.0...5.0	CEP7-ED1CP
		3.2... 16	CEP7-ED1DP
		5.4...27	CEP7-ED1EP

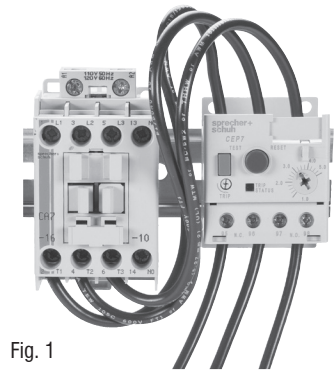
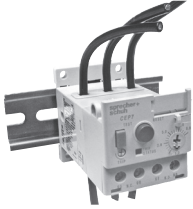
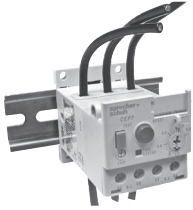


Fig. 1

Overload Relay	Separate Mount for use with... ②	Adjustment Range (A)	Adjustable Trip Class 10, 15, 20 & 30
			Catalog Number
Automatic or Manual Reset for 3Ø Applications ①③④			
 Fig. 1	CA8-09...12 CA7-9...CA7-23 CAN7-12...CAN7-37	1.0...5.0	CEP7-EECP
		3.2... 16	CEP7-EEDP
		5.4...27	CEP7-EEEP
Automatic or Manual Reset for 1Ø Applications ①③④			
 Fig. 1	CA8-09...12 CA7-9...CA7-23 CAN7-12...CAN7-37	1.0...5.0	CEP7S-EEPP
		3.2...16	CEP7S-EERP
		5.4...27	CEP7S-EESP



Pass-thru window

Fig. 2

Description

Fig. 1 - The Pass-Thru version of the CEP7 permits separate mounting of the overload relay.


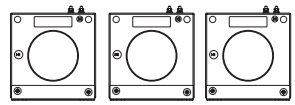
Fig. 2 - Motor load side cables simply pass-thru a window in the overload relay body. The internal current transformers monitor the current flow.

Benefits

- No need for a panel mount adapter as required with direct-connect versions
- Eliminates 3 to 6 wire terminations
- Designed for use with CA8 or CA7 contactors
- Easily replaces outdated overload relays in existing starter assemblies
- Provides state-of-the-art accuracy and motor protection

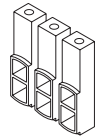
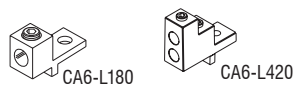



① 3-phase CEP7 units are only designed for 3Ø applications. Single phase CEP7S units are only designed for single phase applications.
 ② This reference is not intended to be a guide for selecting contactors. Size overload relays using the full load current of the motor.
 ③ The reset time of a CEP7 set in the automatic mode is approximately 120 seconds.
 ④ CEP7 overload relays do not work with Variable Frequency Drives, DC Applications or Softstarters with braking options.
 ⑤ Pass-Thru windows will accept one power wire up to #10 AWG wire (6mm²).

Large Amp CEP7 Solid State Overload Relays, Automatic and Manual Reset ①②③④⑥

Overload Relay	Directly Mounts to Contactor... ②	CT Ratio	Adjustment Range (A)	Selectable Trip Class (10,15,20 & 30)
				Catalog Number
Automatic or Manual Reset for 3Ø Applications ①③				
 <p>CEP7-EEHF</p>	CA6-115...CA6-180	150:5	30...150	CEP7-EEHF
	CA6-115-EI...CA6-180-EI	200:5	40...200	CEP7-EEJF
	CAN6-180(EI)			CEP7-EEJG
	CA6-210-EI...CA6-420-EI CAN6-300-EI	200:5	40...200	CEP7-EEJG
		300:5	60...300	CEP7-EEKG
	CA6-630-EI...CA6-860-EI	500:5	100...500	CEP7-EELG
		600:5	120...600	CEP7-EEMH
CA9-116...146(-EI)	800:5	160...800	CEP7-EENH	
CA9-116...146(-EI)	150:5	30...150	CEP7-EEHJ	
CA9-190...205(-EI)	200:5	40...200	CEP7-EEJJ	
Current Transformer Kits For use with... CT Ratio				
 <p>Includes three Current Transformers (Overload relay sold separately)</p>	CA9-265...305	300:5	⑦	CEP7-CT-UL-300
	CA9-370...580	600:5	⑦	CEP7-CT-CE-300
		400:5		CEP7-CT-UL-600
	CA9-750...1060	~	~	CEP7-CT-CE-400
				Refer to Factory

Items in Gray are marked for discontinuation after 2019



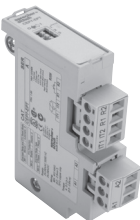

Load Side Lugs & Accessories for use with CA6 Contactors Only

Lug or Accessory	Description	For Use With...	Catalog Number	
 <p>CA6-HB</p>	Main Terminal Set, ⑤ Dual Conductor, Touch Safe <ul style="list-style-type: none"> Accommodation for dual connections to each pole Accepts flat or round conductors Touch safe to IP20 according to IEC 60529 Eliminates need for Terminal Shields (price as complete set, containing 2 blocks, 6 lugs) 	CEP7-EEHF...CEP7-EEJF, CEP7-EEHJ...CEP7-EEJJ CEP7-EEJG CEP7-EEKG CEP7-EELG	CA6-HB2 CA6-HB3	See page A129
 <p>CA6-L180 CA6-L420</p>	Screw Type Lugs - <ul style="list-style-type: none"> Accepts round conductors only Copper construction (set of 3 lugs) 	CEP7-EEHF...CEP7-EEJF, CEP7-EEHJ...CEP7-EEJJ CEP7-EEJG, CEP7-EEKG, CEP7-EELG	CA6-L180 CA6-L420	
 <p>CA6-L630</p>	Screw Type Lugs - <ul style="list-style-type: none"> Accommodation for dual connections to each pole Copper construction accepts round conductors only (set of 3 lugs) 	CEP7-EEMH CEP7-EENH	CA6-L630	
 <p>CA6-L860</p>	Screw Type Lugs - <ul style="list-style-type: none"> Accommodation for dual connections to each pole Copper construction accepts round conductors only (set of 3 lugs) 	CEP7-EEMH CEP7-EENH	CA6-L860	
	Main Terminal Cover - ⑥ <ul style="list-style-type: none"> CA6 touch protection Line or load IP20; IEC60529 & DIN 40 050 protection 	CA6-115(-EI) to 180(-EI) CA6-210-EI to 420-EI CA6-630-EI to 860-EI	CA6-TC180 CA6-TC420 CA6-TC860	

- ① 3-phase CEP7 units are only designed for 3Ø applications.
- ② This reference is not intended to be a guide for selecting contactors. Size overload relays using the full load current of the motor.
- ③ The reset time of a CEP7 set in the automatic mode is approximately 120 seconds.
- ④ CEP7 Overload relays do not work with Variable Frequency Drives or any Sprecher + Schuh Softstarter with braking options.
- ⑤ Terminal covers not necessary when using CA6-HB_ insulated lugs.
- ⑥ CEP7-EEHF...CEP7-EENH include current transformers used to monitor high amperage.
- ⑦ Utilizes UL or CE approved Current Transformers in conjunction with an overload selection. Refer to page B13 for current setting guidance when CEP7-EECB is used.

Accessories - CEP7 Side Mount Modules ①②

B
CEP7 Overloads

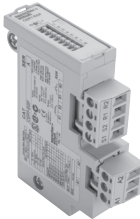
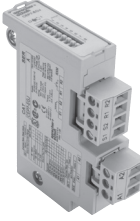
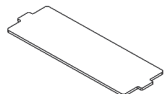
Accessory	Description	For use with...	Catalog Number
 CEP7-ERR	Remote Reset Module (Series B) <ul style="list-style-type: none"> Dip switch adjustable reset mode & type <ul style="list-style-type: none"> Automatic or Manual reset mode 1- or 3-Phase relay type operation Provision for reset after trip from remote pilot device 	Side-mount to any CEP7-EE CEP7S-EE_	CEP7-ERR
 CEP7-EJM	Jam Protection and Remote Reset Module ③ <ul style="list-style-type: none"> Dip switch adjustable Jam Protection <ul style="list-style-type: none"> Jam set points -150%, 200%, 300%, or 400% FLA Trip delay- 0.5, 1, 2, or 4 sec. Provision for reset after trip from remote pilot device 		CEP7-EJM
 CEP7-EPT	PTC Thermistor Relay and Remote Reset Module <ul style="list-style-type: none"> PTC Protection and LED Status indication Type of Control Unit Mark A Number of Sensors 6 Maximum Cold Resistance of Sensor Chain 1500 Ω Trip Resistance 3400 Ω ± 150 Ω Reset Resistance 1600 Ω ± 50 Ω Short Circuit Trip Resistance 25 Ω ± 10 Ω Open Circuit Trip Resistance > 20,000 Ω Maximum Voltage at 1T1 / 1T2 (Rptc=4kΩ) < 7.5 Vdc Maximum Voltage at 1T1 / 1T2 (Rptc=open) < 30 Vdc PTC Response Time 500ms... 800ms Provision for reset after trip from remote pilot device 	Side-mount to any CEP7-EE CEP7S-EE_	CEP7-EPT
 ETHERNET/IP CEP7-ETN	Network Communication Modules <ul style="list-style-type: none"> Delivers direct access to motor performance and diagnostic data on a field bus based network in addition to seamless control Includes integrated I/O <ul style="list-style-type: none"> 2 inputs 1 output Operational and diagnostic data <ul style="list-style-type: none"> Average motor current Percentage of thermal capacity usage Device status Trip and warning identification Trip history (last five trips) Protective functions <ul style="list-style-type: none"> Overload warning <ul style="list-style-type: none"> 1...100% TCU Jam protection; <ul style="list-style-type: none"> Trip setting 150...600% FLA Trip delay 0.5...25 seconds Warning setting 100...600% FLA Underload warning <ul style="list-style-type: none"> 20...100% FLA 	Side-mount to any CEP7-EE CEP7S-EE_	CEP7-ETN

① Side mount modules must have 24 - 240V, 47 - 63Hz or DC applied to terminals A1 and A2 for control power. CEP7-EPRB and CEP7-ETN require 20.4 - 26.4 VDC only. See B18 for more information.

② See Technical Data, Wiring, and DIP Switch set up starting on page B16.

③ Dynamic inhibit: Protective function is enabled after the motor current goes above 150% and then falls below 125%.

Accessories - CEP7 Side Mount Modules ①③

Accessory	Description	For use with...	Catalog Number
 CEP7-EGF	Ground Fault Protection and Remote Reset Module ②⑥• Dip switch adjustable Ground Fault Protection > GF Current range set points - 20...100ma - 100...500mA - 0.2...1.0A - 1.0...5.0A > GF Trip level 20%-100% • LED status indication • Provision for reset after trip from remote pilot device	Side-mount to any CEP7-EE_ CEP7S-EE_	CEP7-EGF
 CEP7-EGJ	Ground Fault/Jam Protection and Remote Reset Module ②⑥ • Dip switch adjustable Ground Fault Protection same as CEP7-EGF shown above. • Jam trip when the motor current exceeds 400% FLA setting when enabled. • LED status indication • Provision for reset after trip from remote pilot device	Must use with CEP7-CBCT_ Current Sensor	CEP7-EGJ
	Adjustment Cover for External Modules	All modules with DIP Switches	CEP7-EMC

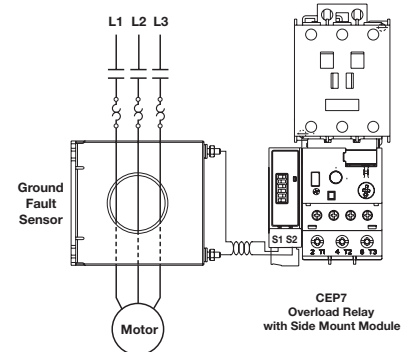
CEP7 Ground Fault Sensor Selection ③

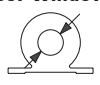

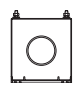
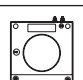
Ground fault current is sensed by passing all lines carrying current to and from a motor through the window of a special current transformer called a ground fault sensor. If all the current to the motor returns through the lines in the sensor window, no significant current will be induced in the sensor secondary. If, however, ground fault current returns via a path external to the sensor, such as via the conduit walls, a current will be induced in the sensor secondary. This current will be sensed and amplified by solid state circuits. If the ground fault current is larger than the selected ground fault trip level of the overload relay, the overload relay will trip.



CEP7 Ground Fault Sensor Installation

Ground Fault Sensor Control Wiring



Sensor Type	Maximum Current	Frequency	Turns Ratio	Sensor Window I.D. 	Maximum Recommended Cable Size	For use with CEP7-EGF and CEP7-EGJ and contactor...	Catalog Number
	45A	50/60 Hz	1000:1	19.1mm (0.75 in.)	8 AWG @ 600V ④	CA7-9...CA7-37	CEP7-CBCT1
	90A	50/60 Hz	1000:1	39.6mm (1.56 in.)	2 AWG @ 600V ④	CA7-9...CA7-85	CEP7-CBCT2
	180A	50/60 Hz	1000:1	63.5 mm (2.50 in.)	250MCM (120mm ²) @ 600V ④	CA7-9...CA9-190	CEP7-CBCT3
	420A	50/60 Hz	1000:1	82.3 mm (3.25 in.)	350MCM (185mm ²) @ 600V ⑤	CA7-9...CA9-400	CEP7-CBCT4

① Side mount modules must have 24 - 240V, 47 - 63Hz or DC applied to terminals A1 and A2 for control power. See B18 for more information.

② ATTENTION: The CEP7 Overload relay is not a ground fault circuit interrupter for personnel protection as defined in Article 100 of the NEC.

③ See Application Details on page B17.

④ For a three phase system with one cable per phase.

⑤ For a three phase system with two cables per phase.

⑥ Dynamic inhibit: Protective function is enabled after the motor current goes above 150% and then falls below 125%.

Accessories

Accessory	Description	For use with...	Catalog Number
	<p>Remote Indication Display "Intellibutton" ③ Connects, communicates, and receives power from CEP7 Side Mount Modules to remotely view status of CEP7-EE Overload Relays</p>	<p>CEP7-EJM CEP7-EGF CEP7-EGJ CEP7-EPT CEP7-ERR</p>	CEP7-ERID
	<p>Replacement Parts Kit for CEP7-ERID Includes (1) each Mounting Ring (Plastic), Terminal Block Plug, and LED Fault Code Label</p>	CEP7-ERID	CEP7-NCRID
	<p>DIN-rail / Panel Adaptor For separate mounting of overload relay to back pan or top hat DIN-rail</p>	CEP7-ED1...B CEP7(S)-EE...B	CEP7-EPB
		CEP7-ED1..D CEP7(S)-EE...D	CEP7-EPD
		CEP7(S)-EE...E	CEP7-EPE
	<p>Current Adjustment Shield Prevents inadvertent adjustment of the current setting</p>	<p>all CEP7-ED1 CEP7-EE</p>	CEP7-BC8
	<p>Solenoid Remote Reset ② - For remote resetting of the solid state overload relay. Replace * in Catalog Number with Coil Code.</p>	CEP7 all	CEP7-EMR*
	<p>External Reset Button Used for manually resetting overloads mounted in enclosures</p>	<p>all CEP7</p>	Use D7 Reset - See Section H.
	<p>External Reset Button Adaptor Provides a larger "target area" for resetting the overload relay when using an External Reset Button</p>	<p>CEP7-ED1 (all), CEP7-EE_B, CEP7-EE_D, CEP7-EE_E, CEP7-EE_P ①</p>	CEP7-ERA

Solenoid Remote Reset Coil Codes

(Replace * with coil code below)

A.C. Coil Code	Voltage Range 50 / 60 Hz ④
J	24V
D	120V
A	240V

D.C. Coil Code	Voltage ⑤
Z24	24VDC
Z48	48VDC
Z01	115VDC

① CEP7-ERA does not fit CEP7-EE_J units without removing the CEP7 cover.




② Solenoid Reset Modules only mount on CEP7 Series C or later.

③ See page B21 for additional details on installation and LED functions.

④ Coil consumption of AC coils is 8VA.

⑤ Coil consumption of DC coils is 12 watts.

CEP7 Intelli-button Reset Kit with Side Mount Module (For use on CEP7(S)-EE_)

Accessory	Description	Kit includes...	Catalog Number
	Remote Reset Only	CEP7-ERID CEP7-ERR	CEP7-IB1
	Jam and Remote Reset	CEP7-ERID CEP7-EJM (B)	CEP7-IB2
	Thermistor Relay and Remote Reset	CEP7-ERID CEP7-EPT	CEP7-IB3
	Ground Fault and Remote Reset	CEP7-ERID CEP7-EGF CEP7-CBCT1 (45A)	CEP7-IB4
		CEP7-ERID CEP7-EGF CEP7-CBCT2 (90A)	CEP7-IB5
		CEP7-ERID CEP7-EGF CEP7-CBCT3 (180A)	CEP7-IB6
		CEP7-ERID CEP7-EGF CEP7-CBCT4 (420A)	CEP7-IB7
	Ground Fault and Jam and Remote Reset Module	CEP7-ERID CEP7-EGJ CEP7-CBCT1 (45A)	CEP7-IB8
		CEP7-ERID CEP7-EGJ CEP7-CBCT2 (90A)	CEP7-IB9
		CEP7-ERID CEP7-EGJ CEP7-CBCT3 (180A)	CEP7-IB10
		CEP7-ERID CEP7-EGJ CEP7-CBCT4 (420A)	CEP7-IB11

Technical Information

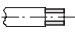
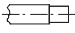
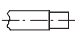
B
CEP7 Overloads

		CEP7-ED1...B CEP7(S)-EE...B	CEP7-ED1...D CEP7(S)-EE...D	CEP7(S)-EE...E
Rated Insulation Voltage - U_i		[V] 690 AC		
Rated Insulation Strength- U_{imp}		[kV] 6 AC		
Rated Operation Voltage - U_e		[V] 690 AC (IEC) / 600 AC (UL/CSA)		
Rated Operating Frequency		[Hz] 50/60		
Terminal Cross Sections				
Terminal Type				
Terminal Screw		M5	M5	M8
	One conductor	[mm ²] 1 x (2.5...16)	1 x (2.5...16)	1 x (4...50)
	Torque	[Nm] 2.5	2.5	24
	Two conductors	[mm ²] 2 x (2.5...10) ①	2 x (2.5...10) ①	2 x (4...25)
	Torque	[Nm] 3.4	3.4	4
	One conductor	[mm ²] 1 x (2.5...25)	1 x (2.5...25)	1 x (4...50)
	Torque	[Nm] 2.5	2.5	4
	Two conductors	[mm ²] 2 x (6...16) ①	2 x (6...16) ①	2 x (4...35)
	Torque	[Nm] 3.4	3.4	4
	One conductor	[AWG] 1 x (14...6)	1 x (14...6)	1 x (12...1/0)
	Torque	[lb-in] 22	22	35
	Two conductors	[AWG] 2 x (14...6) ①	2 x (14...6) ①	2 x (8...2)
	Torque	[lb-in] 30	30	35
Poizdrive Screwdriver Size		2	2	---
Slotted screwdriver		[mm] 1 x 6	1 x 6	---
Hexagon Socket Size		[mm] ---	---	4

		CEP7-EE_F	CEP7-EE_G	CEP7-EE_H	CEP7-EE_J
Rated Insulation Voltage - U_i		[V] 1000 AC			690 AC
Rated Insulation Strength- U_{imp}		[kV] 6 AC			6 AC
Rated Operation Voltage - U_e		[V] 1000 AC (IEC) / 600 AC (UL/CSA)			690 AC (IEC)/600AC (UL)
Rated Operating Frequency		[Hz] 50/60			50/60
Terminal Power					
Type					
Direct Connection		Hexagonal Bolt	Hexagonal Bolt	Hexagonal Bolt	Hexagonal Bolt
Recommended Torque		[Nm] M8 x 25: 11	[Nm] M10 x 30: 43	[Nm] M12 x 40: 68	[Nm] M8 x 25: 11
		[lb-in] 100	380	600	100
With Main Terminal Set (CA6...HB...)		With CA6-HB2	With CA6-HB3		With CA6-HB2
	sm. opening	[mm ²] 16...50	25...240	~	16...50
	lg. opening	[mm ²] 16...120	25...240	~	16...120
	sm. opening	[mm ²] 16...50	25...240	~	16...50
	lg. opening	[mm ²] 16...120	25...240	~	16...120
	b max.	[mm] 20	25	~	20
	s. sm. opening	[mm] 3...9	6...20	~	3...9
	lg. opening	[mm] 3...14	6...20	~	3...14
	Recommended Torque	[Nm] 10...12	20...25	~	10...12
Wire size per UL/CSA	sm. opening	[AWG] #6...1 / 0	#4...600MCM	~	#6...1 / 0
	lg. opening	[AWG] #6...250MCM	#4...600MCM	~	#6...250MCM
Recommended Torque		[lb-in] 90...110	180...220	~	90...110
With Screw-type Lugs - Copper Clad (CA6-L...)				W/CEP7-EEMH	W/CEP7-EEHH
CA6-L180	[AWG] #6...250 MCM	~	~	~	#6...250 MCM
Recommended Torque	[lb-in] 90...110	~	~	~	90...110
CA6-L420	[AWG] ~	#2...350 MCM	~	~	~
Recommended Torque	[lb-in] ~	375	~	~	~
CA6-L630	[AWG] ~	~	2/0...500 MCM	~	~
Recommended Torque	[lb-in] ~	~	400	~	~
CA6-L860	[AWG] ~	~	~	2/0...500 MCM	~
Recommended Torque	[lb-in] ~	~	~	400	~

① For multiple conductor applications the same style and size of wire must be used.

Technical Information

Control Circuit			
Rated Insulation Voltage - U_i	[V]		690 AC
Rated Insulation Strength - U_{imp}	[kV]		6 AC
Rated Operation Voltage - U_e	[V]		690 AC (IEC) / 600 AC (UL/CSA)
Rated Designation			B600
Rated Operating Current			NO NC
AC-15	12...120V	[A]	3 2
	220...240V	[A]	1.5 1.5
	380...480V	[A]	0.75 0.75
	500...600V	[A]	0.6 0.6
DC-13 at L/R 15ms	24V	[A]	1.1 1.1
	110V	[A]	0.4 0.4
	220V	[A]	0.2 0.2
	440V	[A]	0.08 0.08
Thermal Current - I_{the}			5
Contact Reliability			17V, 5mA
Screw Terminal Cross Sections			
Terminal Screw			M3
 Flexible with wire end ferrule	One conductor	[mm ²]	1 x (0.5...2.5)
	Torque	[Nm]	0.55
	Two Conductors	[mm ²]	2 x (0.25...1.5)
	Torque	[Nm]	0.55
 Course stranded / solid	One conductor	[mm ²]	1 x (0.5...4)
	Torque	[Nm]	0.55
	Two conductors	[mm ²]	2 x (0.22...2.5)
	Torque	[Nm]	0.55
 Stranded / Solid	One conductor	[AWG]	1 x (24...10)
	Torque	[lb-in]	5
	Two conductors	[AWG]	2 x (24...12)
	Torque	[lb-in]	5
Pozidrive Screwdriver Size			#1
Slotted Screwdriver Size			[mm] 0.6 x 3.5

Heat Dissipation	Max. Heat Dissipation [Watts]
Catalog Number	
CEP7-ED1AB or CEP7-EEAB	0.03
CEP7-ED1BB or CEP7-EEBB	0.04
CEP7-ED1_B or CEP7-EE_B (other than A or B)	0.53
CEP7-EE_D	0.73
CEP7-EE_E	0.78
CEP7-EEGF	0.87
CEP7-EE_F (other than G)	3.52
CEP7-EE_G	8.94
CEP7-EE_H	15.53
CEP7-EE_J	3.52

B
CEP7 Overloads

Table for using Current Transformers with CEP7-EECB (range 1.0...5.0 amps) overload relay

Current Setting	CT Ratio 150:5 Equivalent FLA	CT Ratio 200:5 Equivalent FLA	CT Ratio 300:5 Equivalent FLA	CT Ratio 500:5 Equivalent FLA	CT Ratio 600:5 Equivalent FLA	CT Ratio 800:5 Equivalent FLA	CT Ratio 1000:5 Equivalent FLA	CT Ratio 1500:5 Equivalent FLA
1.00	30	40	60	100	120	160	200	300
1.25	38	50	75	125	150	200	250	375
1.50	45	60	90	150	180	240	300	450
1.75	53	70	105	175	210	280	350	525
2.00	60	80	120	200	240	320	400	600
2.25	68	90	135	225	270	360	450	675
2.50	75	100	150	250	300	400	500	750
2.75	83	110	165	275	330	440	550	825
3.00	90	120	180	300	360	480	600	900
3.25	98	130	195	325	390	520	650	975
3.50	105	140	210	350	420	560	700	1050
3.75	113	150	225	375	450	600	750	1125
4.00	120	160	240	400	480	640	800	1200

Technical Information

Environmental Ratings

Ambient Temperature	Storage	[°C]	-40...+85 (-40...+185 °F)
	Operating	[°C]	-20...+60 (-4...+140 °F)
Humidity	Operating	[%]	5...95, non-condensing
	Damp Heat		per IEC 68-2-3 and IEC 68-2-30
Vibration (per IEC 68-2-6)		[G]	3
Shock (per IEC 68-2-27)		[G]	30
Maximum Altitude		[m]	2000
Pollution Environment			Pollution Degree 3
Degree of Protection			IP20
Type of Relay			Ambient compensated, time delay, phase loss sensitive
Nature of Relay			Solid-state
Trip Rating			120% FLA
Trip Class	Type ED		10
	Type EE		10, 15, 20, 30
Reset Mode	Type ED		Manual
	Type EE		Manual or Automatic

Electromagnetic Compatibility

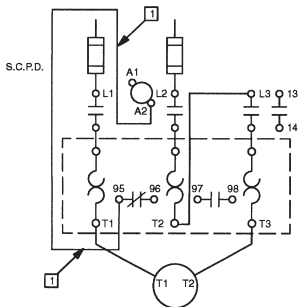
Electrostatic Discharge Immunity	Test Level	[kV]	8kV air discharge 6kV contact discharge
	Performance Level		1 ①②
RF Immunity	Test Level	[V/m]	10 V/m
	Performance Level		1 ①②
Electrical Fast Transient Burst Immunity	Test Level	[kV]	4 kV
	Performance Level		1 ①②
Surge Immunity	Test Level	[V/m]	2 kV (L-E) 1 kV (L-L)
	Performance Level		1 ①②

General

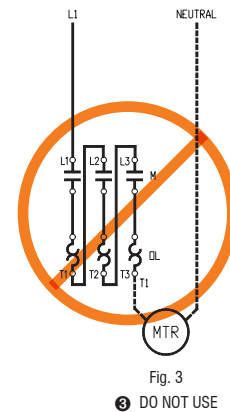
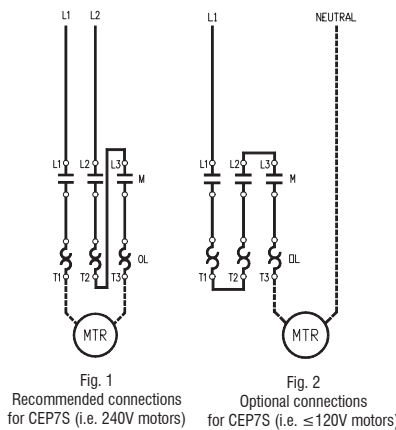
Standards	UL 508, CSA C22.2 No. 14, NEMA (ICS 2-1993 Part 4, EN 60947-4-1, EN 60947-5-1)			
Approvals	CE, cULus, C-Tick, CCC			
		CEP7-ED1...B CEP7(S)-EE...B	CEP7-ED1...D CEP7(S)-EE...D	CEP7(S)-EE...E
Weights (unpacked)	[Kg]	0.25	0.25	0.52
	[Lb]	0.55	0.55	1.06

Wiring Diagrams

Typical Wiring
for Single Phase Applications



CEP7 Single Phase Overload Relay
Must be connected as shown in Fig. 1 or 2 only.



① Performance Criteria 1 requires the DUT to experience no degradation or loss of performance.
② Environment 2.

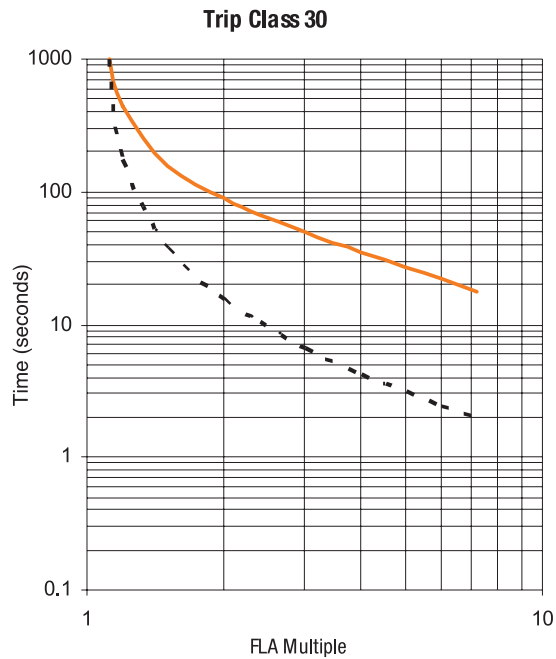
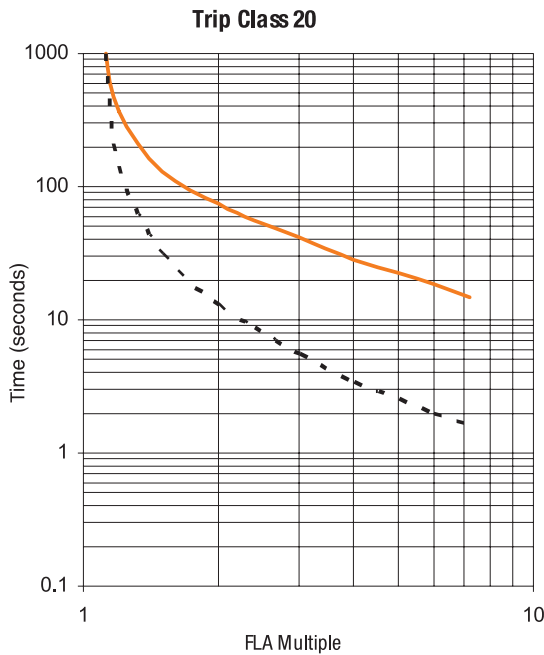
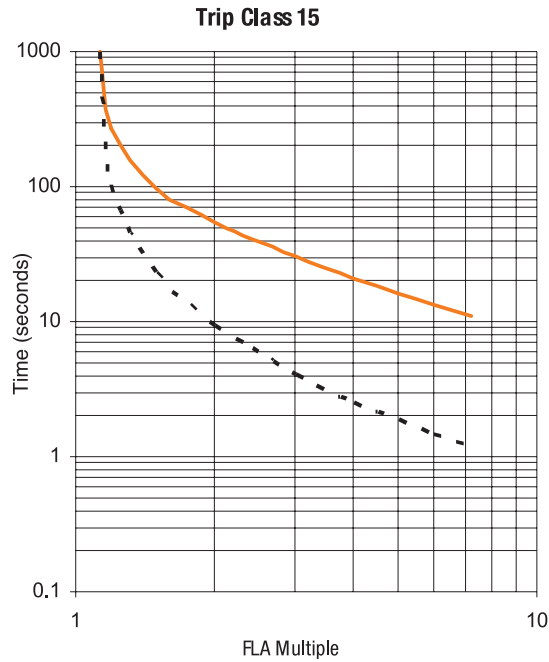
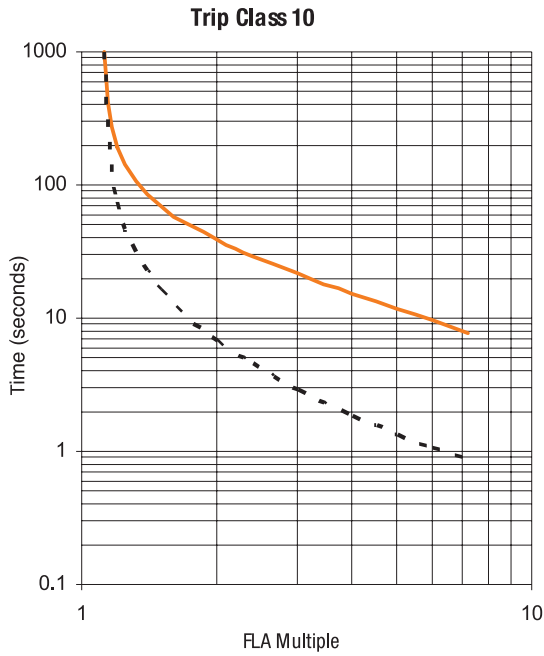
③ If the CEP7S is connected as shown in Fig. 3 the overload will not trip! The CEP7S contains an electronic circuit board that is self powered. If connected as shown in Fig. 3, the CEP7S circuit board will not power up and the CEP7S would not trip.

④ Connecting a CEP7S in this manner powers the electronic circuit board. Connecting a 3-phase CEP7 in this manner to handle 1-phase will NOT work.

Technical Information

Trip Curves ①

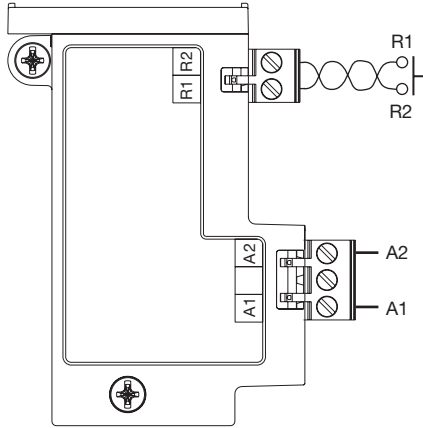
B
CEP7 Overloads



Trip Curve Legend
Cold Trip ———
Hot Trip - - - - -

① Typical reset time for CEP7 Second Generation devices set to "automatic reset" mode is 120 seconds.

CEP7-ERR & CEP7-EJM Wiring Diagrams



- Apply 24 - 240V, 47 - 63Hz or DC to terminals A1 and A2 for control power.
- Connect remote reset pilot device to Terminals R1 and R2.

CEP7-ERR Operational LED

Status LED:
Steady Green- Module is powered up.

CEP7-ERR Dip Switch

Series B Adjustment Settings

Overload Relay Remote Reset		
SW1	Manual: 1	Automatic: 0
Overload Relay Type		
SW2	3 Phase: 1	1 Phase: 0
SW3	Not Used	

CEP7-EJM Operational LED

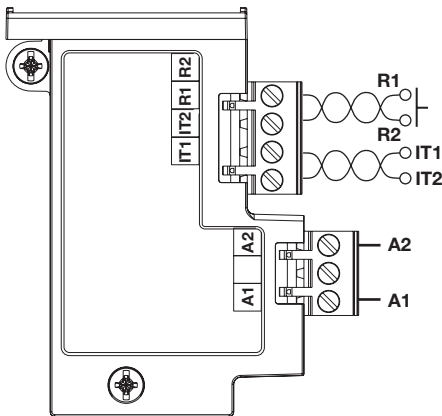
Status LED:
Green flash- module powered
Green solid- module powered plus motor current present
Red flash- warning: Fault detected and CEP7 preparing to trip.
Red solid- hardware fault: Internal hardware fault detected and CEP7 trip attempted. Recover fault by cycling supply voltage.

CEP7-EJM Dip Switch

Adjustment Settings

Overload Relay Reset Mode			
SW1	Manual: 1	Automatic: 0	
Jam Trip Delay			
	SW 2	SW 3	SW 4
0.1 sec	0	0	0
0.5 sec	0	0	1
1 sec	0	1	0
2 sec	0	1	1
3 sec	1	0	0
4 sec	1	0	1
5 sec	1	1	0
10 sec	1	1	1
Jam Trip Level			
	SW 5	SW 6	SW 7
Disable / OFF	0	0	0
100% FLA	0	0	1
125% FLA	0	1	0
150% FLA	0	1	1
200% FLA	1	0	0
300% FLA	1	0	1
400% FLA	1	1	0
600% FLA	1	1	1
SW8 3 Phase: 1 1 Phase: 0			

CEP7-EPT Wiring Diagrams



- Apply 24 - 240V, 47 - 63Hz or DC to terminals A1 and A2 for control power.
- Connect remote reset pilot device to Terminals R1 and R2
- Connect Terminal IT1 and IT2 to PTC Chain

CEP7-EPT Operational LED

Status LED:
Steady Green - Module is powered up
Flashing LED - The number of flashes followed by a pause identifies the specific trip code as follows:
(1) Flash - overload trip
(2) Flash - phase loss trip
(3) Flash - PTC trip
(4) Flash - PTC open circuit
(5) Flash - PTC short circuit
Fast Flash - Impending trip. PTC Thermistor fault detected and CEP7 not yet capable of tripping.
Steady Red - Hardware fault. Internal hardware fault detected and CEP7 trip attempted.

CEP7-EPT Dip Switch

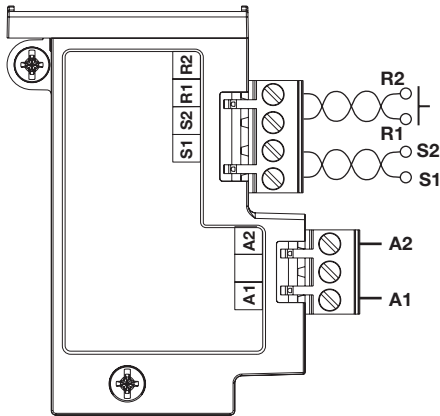
Adjustment Settings

Overload Relay and PTC Reset Mode		
SW1	Manual: 1	Automatic: 0
PTC Protection		
SW2	Enable: 1	Disable: 0
Overload Relay Type		
SW3	3 Phase: 1	1 Phase: 0

① Dynamic inhibit: Protective function is enabled after the motor current goes above 150% and then falls below 125%.

② The delay between the occurrence of a PTC out-of-range fault and a trip of the CEP7 varies, but is generally described by one of the following: a) 500 ms ± 250 ms, typical; or b) < 6 seconds, for a PTC out-of-range fault present at power-up of the side mount module. Under no conditions should a PTC trip take longer than 6 seconds.

CEP7-EGF & CEP7-EGJ Wiring Diagrams ❶



- Apply 24 - 240V, 47 - 63Hz or DC to terminals A1 and A2 for control power.
- Connect remote reset pilot device to Terminals R1 and R2
- Connect current sensor to Terminal S1 and S2

CEP7-EGF Operational LED

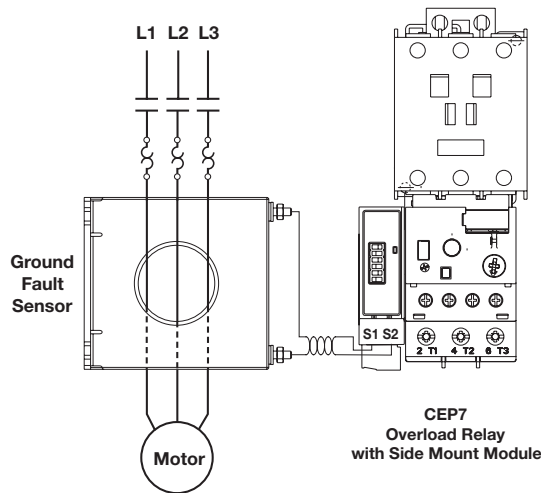
Status LED:
Steady Green - Module is powered up.
Flashing LED - The number of flashes followed by a pause identifies the specific trip code as follows:
(1) Flash - overload trip
(2) Flash - phase loss trip
(3) Flash - ground fault trip
Fast Flash - Impending trip Ground fault detected and CEP7 not yet capable of tripping.
Steady Red - Hardware fault. Internal hardware fault detected and CEP7 trip attempted.

CEP7-EGF Dip Switch

Adjustment Settings			
Overload Relay Reset Mode			
SW1	Manual: 1	Automatic: 0	
Ground Fault Current Range			
	SW 2	SW3	
20...100mA	0	0	
100...500mA	0	1	
0.2...1.0A	1	0	
1.0...5.0A	1	1	
Ground Fault Trip Level			
	SW 4	SW 5	SW 6
Disable/Off	0	0	0
20% Max GF Current	0	0	1
35% Max GF Current	0	1	0
50% Max GF Current	0	1	1
65% Max GF Current	1	0	0
80% Max GF Current	1	0	1
90% Max GF Current	1	1	0
100% Max GF Current	1	1	1
Overload Relay Type			
SW7	3 Phase: 1	1Phase: 0	
SW8	Not Used		

CEP7-EGF & CEP7-EGJ Installation ❶

Ground Fault Sensor Control Wiring



CEP7-EGJ Operational LED

Status LED:
Steady Green - Module is powered up.
Flashing LED - The number of flashes followed by a pause identifies the specific trip code as follows:
(1) Flash - overload trip
(2) Flash - phase loss trip
(3) Flash - ground fault trip
(4) Flash - jam trip
Fast Flash - Impending trip Ground fault detected and CEP7 not yet capable of tripping.
Steady Red - Hardware fault. Internal hardware fault detected and CEP7 trip attempted.

CEP7-EGJ Dip Switch

Adjustment Settings			
Overload Relay Reset Mode			
SW1	Manual: 1	Automatic: 0	
Ground Fault Current Range			
	SW 2	SW3	
20...100mA	0	0	
100...500mA	0	1	
0.2...1.0A	1	0	
1.0...5.0A	1	1	
Ground Fault Trip Level			
	SW 4	SW 5	SW 6
Disable/Off	0	0	0
20% Max GF Current	0	0	1
35% Max GF Current	0	1	0
50% Max GF Current	0	1	1
65% Max GF Current	1	0	0
80% Max GF Current	1	0	1
90% Max GF Current	1	1	0
100% Max GF Current	1	1	1
Overload Relay Type			
SW7	3 Phase: 1	1Phase: 0	
Jam Protection			
SW8	Enable: 1	Disable: 0	

❶ Dynamic inhibit: Protective function is enabled after the motor current goes above 150% and then falls below 125%.

B
CEP7 Overloads

Electrical Data

Power Supply Ratings:

Rated Supply Voltage	<i>Us</i>	24V DC
Rated Operating Range	<i>Ue</i>	20.4 - 26.4
Rated Supply Current	<i>Ie</i>	0.1 A
Maximum Surge Current at Power-Up		2.5 A
Maximum Power Consumption		2.5...2.7 W

Output Relay Ratings:

Terminals		
OUT A:		13/14
Type of Contacts		Form A SPST - NO
Rated Thermal Current	<i>I_{the}</i>	5 A
Rated Insulation Voltage	<i>Ui</i>	300V AC
Rated Operating Voltage	<i>Ue</i>	240V AC
Rated Operating Current	<i>Ie</i>	3 A (at 120V AC), 1.5 A (at 240V AC) 0.25 A (at 110V DC), 0.1 A (at 220V DC)
Minimum Operating Current		10 mA at 5V DC
Rating Designation		B300
Utilization Category		AC-15
Resistive Load Rating (p.f.=1.0)		5 A, 250V AC 5 A, 30V DC
Inductive Load Rating (p.f.=0.4), (L/R=7 ms)		2 A, 250V AC 2 A, 30V DC
Short Circuit Current Rating		1,000 A
Recommended Control Circuit Fuse		KTK-R-6 (6 A, 600V)

Input Ratings:

Terminals		
IN1:		1
IN2:		2
SSV (Sensor Supply Voltage)		3
Supply Voltage (Provided by module)		20.4 - 26.4V DC
Type of Inputs		Current Sinking

Jam Protection:

Trip Level		150...600% FLA
Trip Delay		0.1...25.0 sec.
Inhibit		0...250 sec.

Standards:

UL 508
CSA 22.2, No. 14
EN 60947-

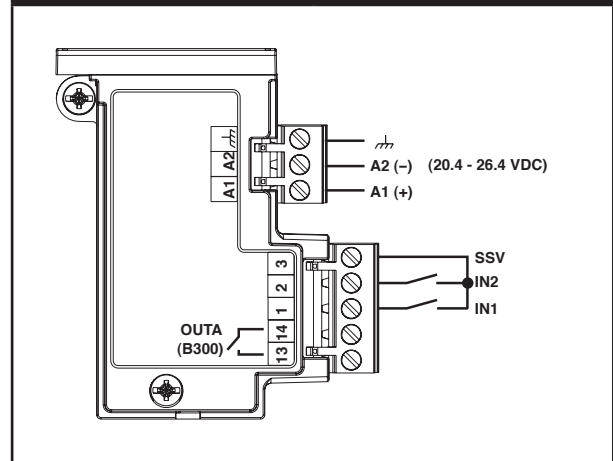
Mechanical Data

Ambient Temperature	<i>T_{amb}</i>	
Storage		-40...+85°C (-40...+185°F)
Operating		
(Open)		-20...+60°C (-4...+140°F)
(Enclosed)		-20...+40°C (-4...+104°F)
Humidity		
Operating		5...95% non-condensing
Damp Heat - Steady State		per IEC 68-2-3
Damp Heat - Cyclic		per IEC 68-2-30
Maximum Altitude		2000 m
Degree of Protection		IP20

ETHERNET Communication

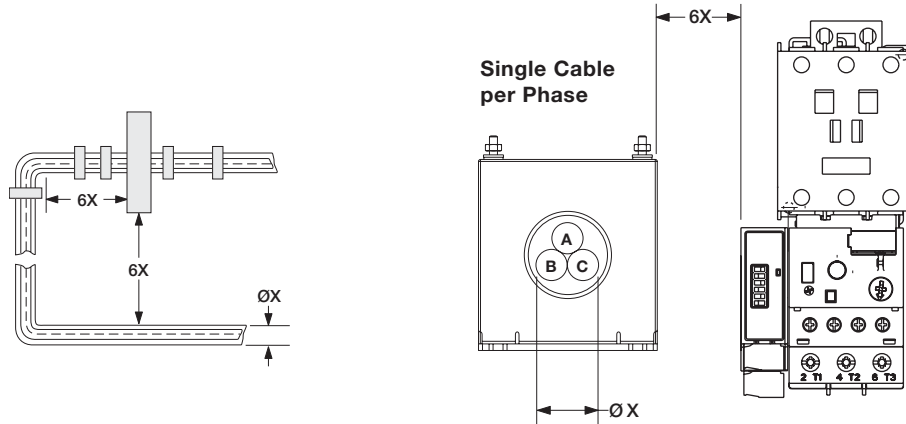
TCP Connection	150
CIP Connection	40
CIP Unconnected Messages	128
I/O Packet Rates	500/s
Explicit Packet Rates	500/s
Speed Duplex (Half/Full)	10/100
Duplicate IP Detection	Yes

CEP7-ETN Wiring Diagram



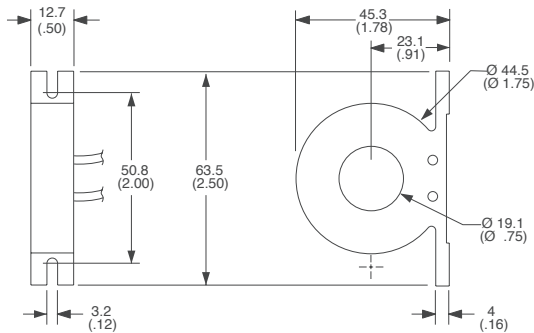
CEP7-CBCT Installation

Dimensions are in millimeters (inches). Dimensions not intended for manufacturing purposes.

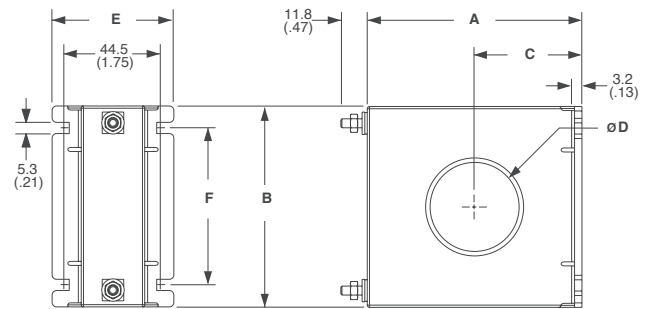


CEP7-CBCT Dimensions

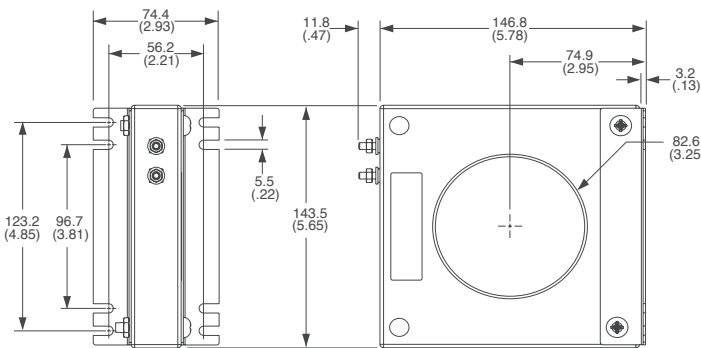
CEP7-CBCT1



CEP7-CBCT2 & 3



CEP7-CBCT4



Catalog Number	A	B	C	ØD	E	F
CEP7-CBCT2	96 (3.78)	89 (3.53)	48.3 (1.90)	39.6 (1.56)	54.6 (2.15)	69.9 (2.75)
CEP7-CBCT3	122.4 (4.82)	115.9 (4.56)	59.7 (2.35)	63.5 (2.50)	54.1 (2.13)	96 (3.78)

CEP7-CBCT Ground Fault Trip Data

ATTENTION: The CEP7 Overload relay is not a ground fault circuit interrupter for personnel protection as defined in Article 100 of the NEC.

Ground fault trip delay: The delay between the occurrence of a ground fault and a trip of the CEP7 varies, but is generally described by one of the following:

- 50 ms ± 20 ms, typical
- < 6 seconds, for a ground fault present at power-up of the side mount module
- < 30 seconds, if the protection inhibit has not been cleared.

Under no conditions should a ground fault trip take longer than 31 seconds.

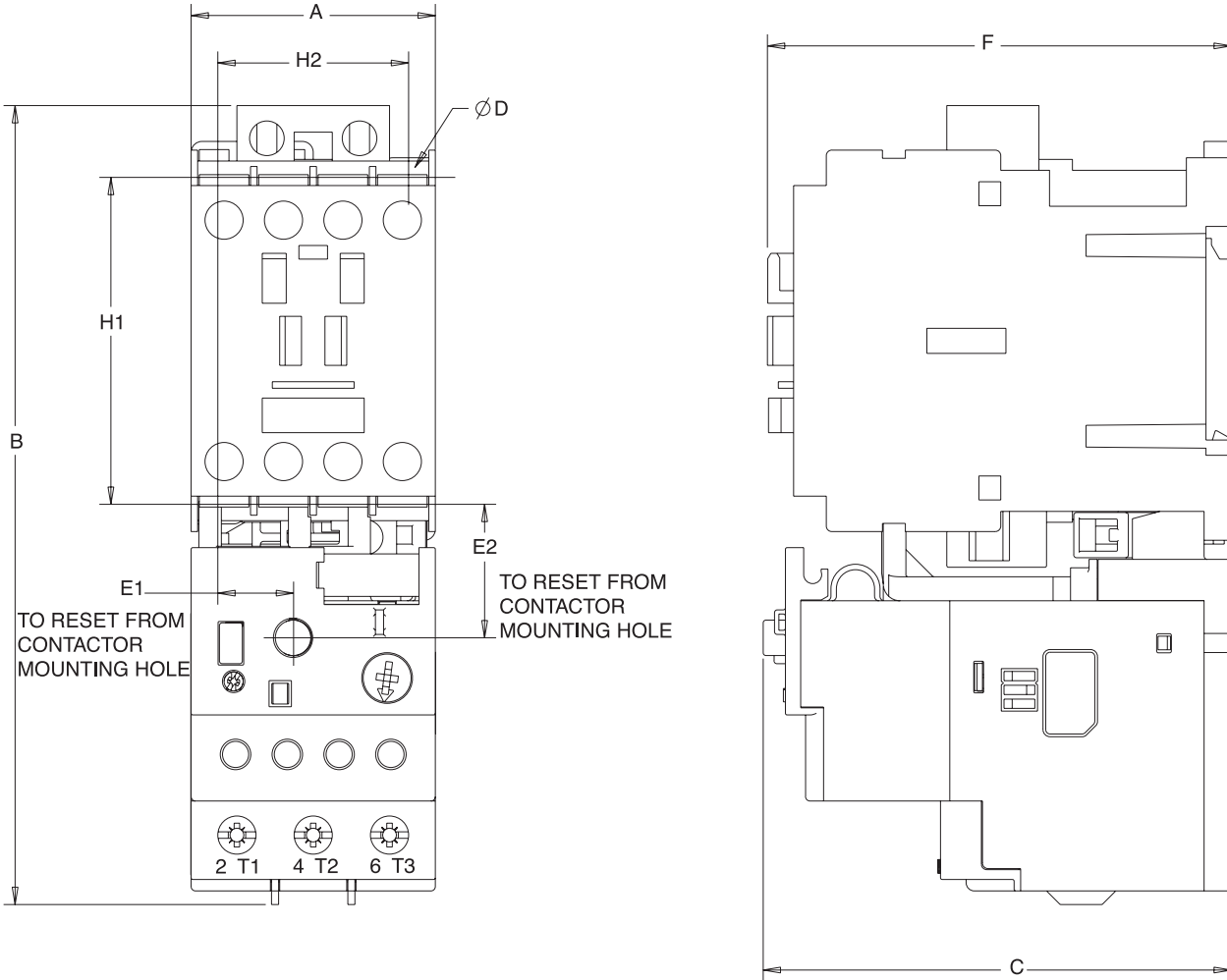
Dynamic inhibit: Protective function is enabled after the motor current goes above 150% and then falls below 125%.

B

CEP7 Overloads

CEP7 Mounted to CA7 Contactor

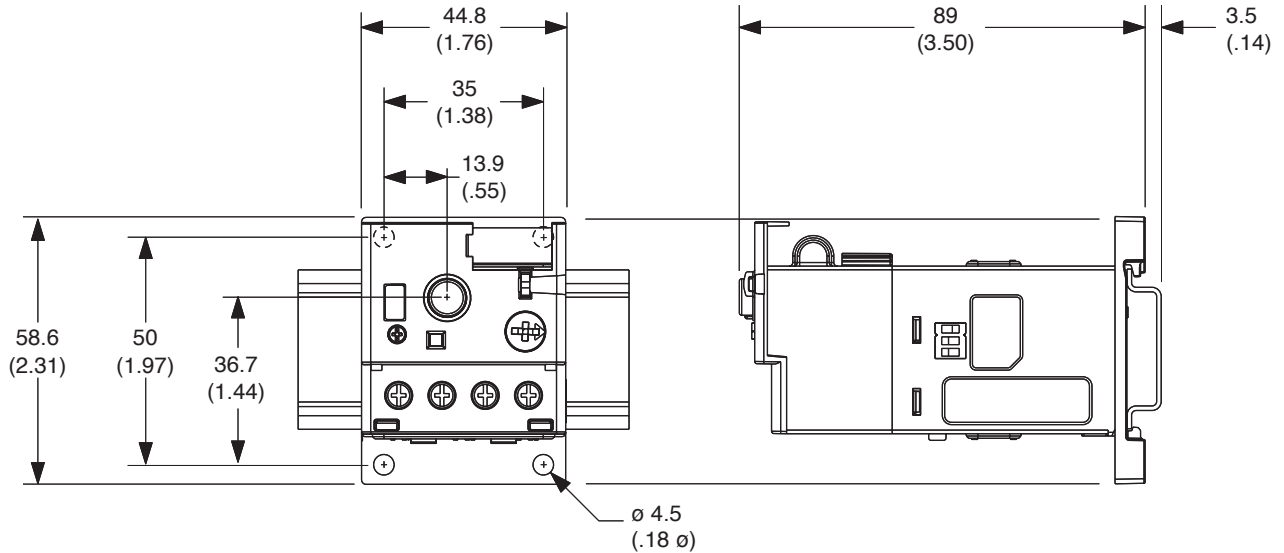
Dimensions are in millimeters (inches). Dimensions not intended for manufacturing purposes.



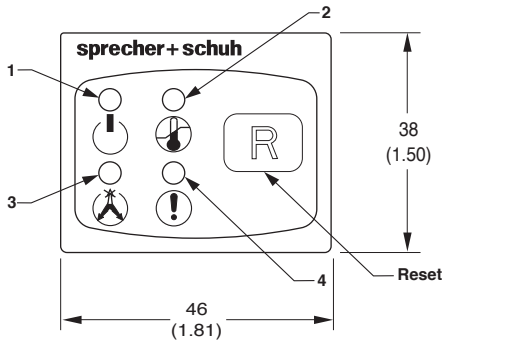
Overload	Mounted to Contactor		A Width	B Height	C Depth	D	E1	E2	F	H1	H2
CEP7-ED1...B CEP7-EE...B CEP7S-EE...B	CA7-9...23	mm (in)	45 (1-25/32)	146.6 (5-25/32)	85.2 (3-23/64)	4.5 (3/16)	13.9 (35/64)	24.5 (31/32)	86.5 (3-13/32)	60 (2-23/64)	35 (1-3/8)
CEP7-ED1...D CEP7-EE...D CEP7S-EE...D	CA7-30...37	mm (in)	45 (1-25/32)	146.6 (5-25/32)	101.2 (3-63/64)	4.5 (3/16)	13.9 (35/64)	24.5 (31/32)	104 (4-3/32)	60 (2-23/64)	35 (1-3/8)
CEP7-ED1...D CEP7-EE...D CEP7S-EE...D	CA7-43...55	mm (in)	54 (2-1/8)	146.6 (5-25/32)	101.2 (3-63/64)	4.5 (3/16)	18.9 (3/4)	24.5 (31/32)	107 (4-3/32)	60 (2-23/64)	45 (1-25/32)
CEP7-EE...E CEP7S-EE...E	CA7-60...97	mm (in)	72 (2-53/64)	192.3 (7-37/64)	120.4 (4-3/4)	5.4 (7/32)	23.8 (15/16)	29 (1-9/64)	125.5 (4-15/16)	100 (3-15/16)	55 (2-11/64)

CEP7 Pass-thru Overload

Dimensions are in millimeters (inches). Dimensions not intended for manufacturing purposes.



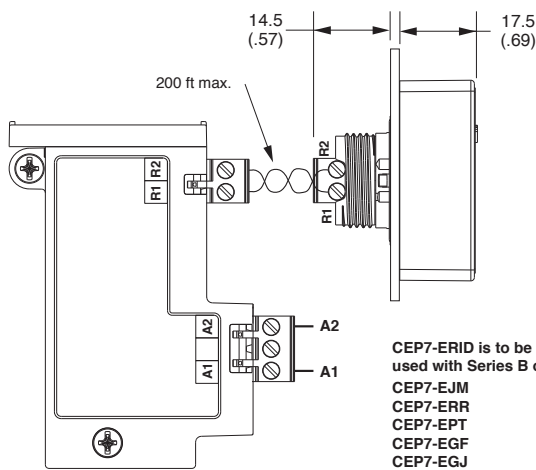
CEP7-ERID Remote Indicator



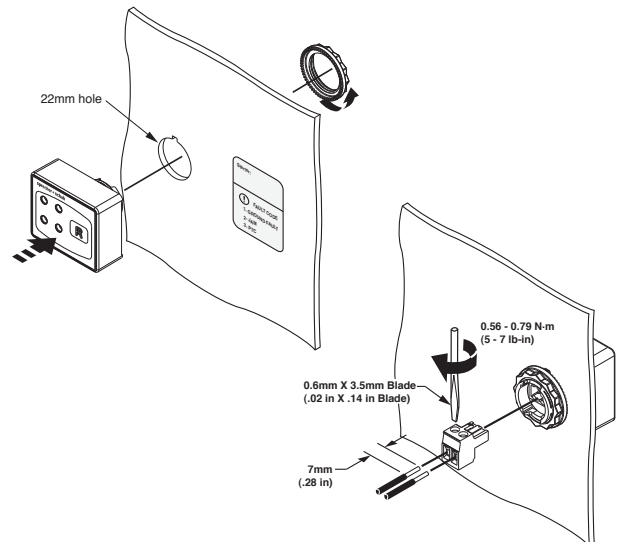
LED Indicators

L.E.D.	Function	Symbol	Fault or Status	Flash Code
1	Module Power / Status		Module Power	Green (Flash)
			Module Power + Motor Current	Green (Solid)
			Hardware Fault	Red (Solid)
2	Overload		Overload Trip	Red (Solid)
			Overload Warning (> 110%)	Yellow (Flash)
3	Phase Loss		Phase Loss Trip	Red (Solid)
4	Fault Status		Ground Fault Trip	1 Red
			Jam Trip	2 Red
			PTC Trip	3 Red
			Fault Detected	Red (Rapid)

Operating Temperatures -20°C ... 60°C (-4°F ... +140°F)
Storage Temperatures -40°C ... 85°C (-4°F ... +185°F)

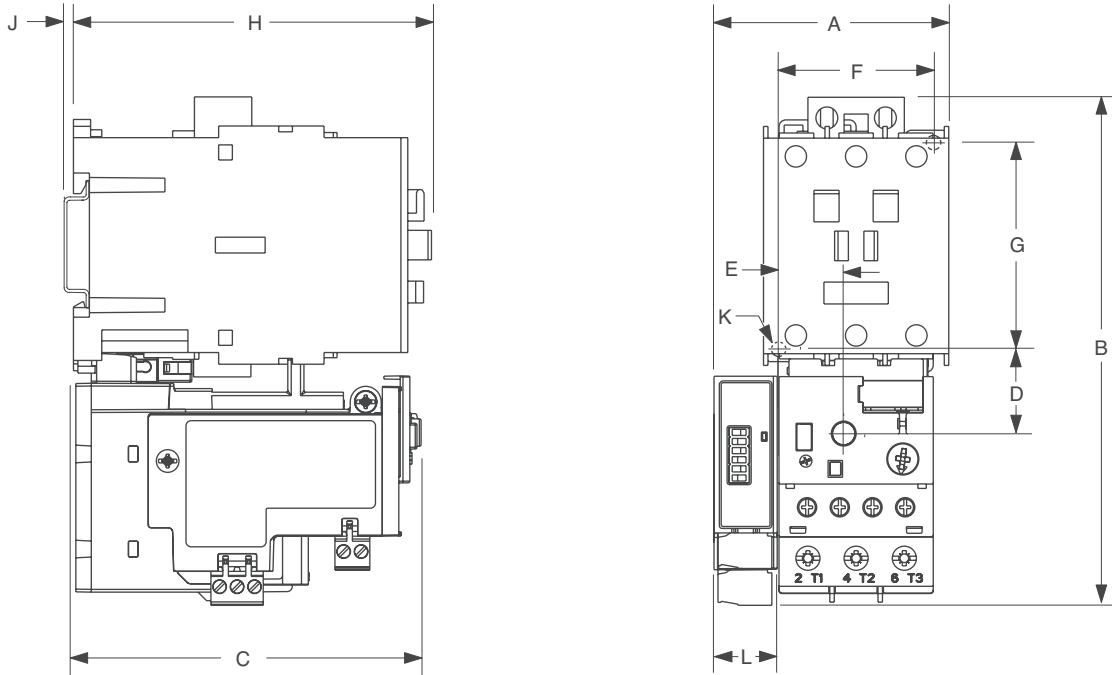


CEP7-ERID is to be used with Series B or later:
CEP7-EJM
CEP7-ERR
CEP7-EPT
CEP7-EGF
CEP7-EGJ



CEP7 Mounted to CA7 Contactor (with side mounted module)

Dimensions are in millimeters (inches). Dimensions not intended for manufacturing purposes.



Contactor Cat. No.	Overload Cat. No.		A ①	B	C	D	E	F	G	H	J	K	L ①
CA7-9, CA7-12, CA7-16, CA7-23	CEP7*-EE_B	mm (in)	63 (2.48)	148 (5.83)	85.2 (3.35)	24.5 (.96)	13.9 (.55)	35 (1.38)	60 (2.38)	86.5 (3.40)	2 (0.8)	4.5 (.17)	18 (.71)
CA7-30, CA7-37	CEP7*-EE_D	mm (in)	63 (2.48)	148 (5.83)	101.2 (3.98)	24.5 (.96)	13.9 (.55)	35 (1.38)	60 (2.38)	104 (4.09)	2 (0.8)	4.5 (.17)	18 (.71)
CA7-43...55		mm (in)	67.5 (2.66)	148 (5.83)	101.2 (3.98)	24.5 (.96)	18.4 (.74)	45 (1.77)	60 (2.38)	107 (4.09)	2 (0.8)	4.5 (.17)	18 (.71)
CA7-60, CA7-72, CA7-85, CA7-97	CEP7*-EE_E	mm (in)	90 (3.54)	191.6 (7.54)	120.4 (4.74)	29 (1.14)	23.8 (.94)	55 (2.16)	100 (3.94)	126 (4.94)	2 (0.8)	5.4 (.21)	18 (.71)

* No letter indicates 3-phase; "S" indicates 1-phase

① Dimension shown covers all side mount modules EXCEPT CEP7-EPRB and CEP7-ETN, where "L" equals 22mm (0.86 in). Add 4mm (0.16 in) to dimension "A".

CEP7-ERR/EJM/EGE/EGJ/EPT Module Technical Information

Wire Size and Torque Specifications

	1X	24.....12 AWG
	2X	24.....16 AWG 5 lb-in
	1X	0.2.....2.5 mm ²
	2X	0.25.....1 mm ² 0.55 N·m
	1X	0.2.....2.5 mm ²
	2X	0.2.....1 mm ² 0.55 N·m

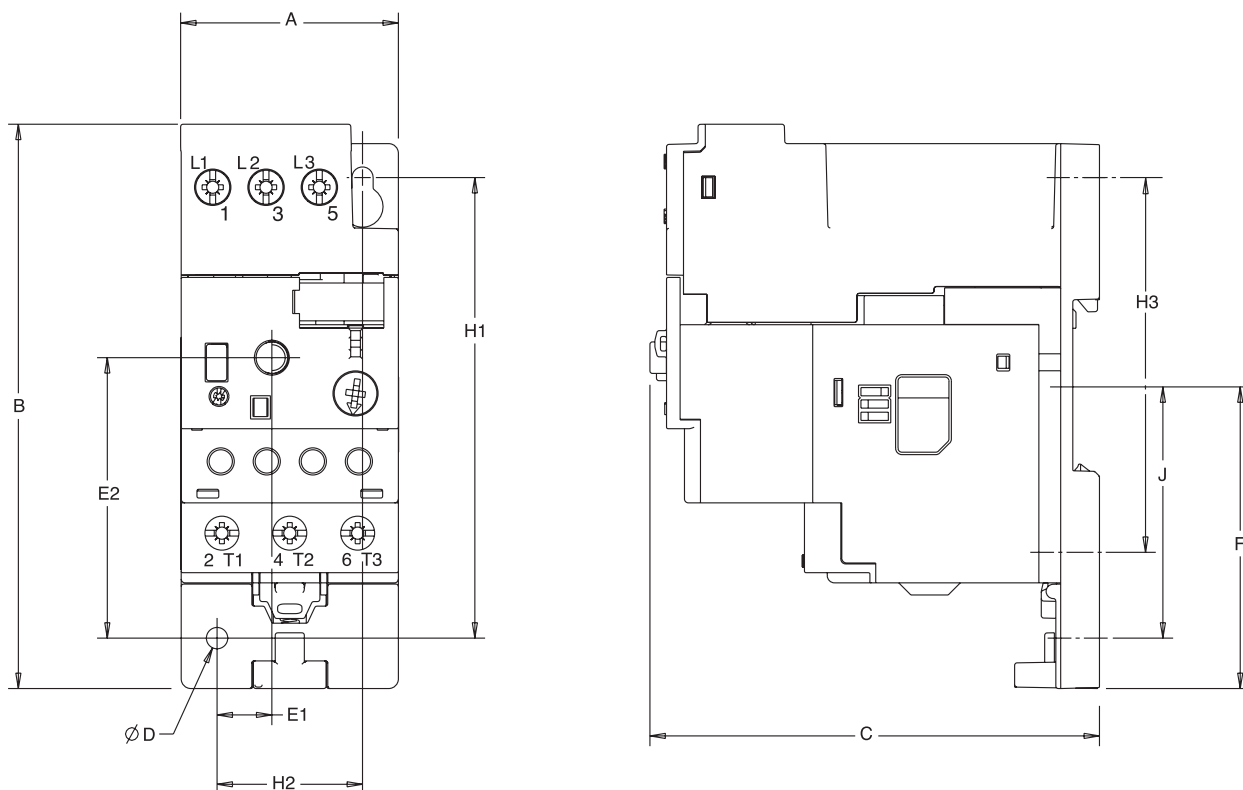
- Connect remote reset pilot device to Terminals R1 and R2.
- Do not apply external voltage to R1 and R2. Equipment damage will occur.
- Recommend use of twisted pair for remote reset, #24 AWG minimum.
- Apply 24 - 240V, 47 - 63Hz or DC to terminals A1 and A2 for control power.
- Rated Insulation Voltage (Ui) 300V
- Rated Operating Voltage (Ue)

24 - 240 VAC, 50/60 Hz	
24 - 240 VDC	
- Power at Rated Operating Voltage (Typical)

24 VAC	0.8 W
120 VAC	0.8 W
240 VAC	1.0 W
- Rated Impulse Withstand Voltage (U imp) 2.5 kV
- Dynamic inhibit on start. A unique circuit within the CEP7 Protection Modules monitors for motor starting inrush current. The circuit inhibits the protection feature during the motor start period and arms the protection function after the inrush current falls to motor rated current. This allows the motor to start and run, avoiding nuisance tripping during the inrush period.

CEP7 with CEP7-EP... Panel Mount Adaptor

Dimensions are in millimeters (inches). Dimensions not intended for manufacturing purposes.



Panel Mount Adaptor	Overload Relay	A Width	B Height	C Depth	D	E1	E2	F	H1	H2	H3	J
CEP7-EPB	CEP7-ED1_B	45	116.5	92.7	4.4	11.4	57.9	62.5	95	30	75	52.1
	CEP7-ED_B	(1-25/32)	(4-9/16)	(3-21/32)	(11/64)	(29/64)	(2-9/32)	(2-15/32)	(3-3/4)	(1-3/16)	(2-31/32)	(2-3/64)
	CEP7(S)-EE_B											
CEP7-EPD	CEP7-ED1_D	45	112.4	108.7	4.4	11.4	57.9	62.5	95	30	75	52.1
	CEP7-ED_D	(1-25/32)	(4-7/16)	(4-9/32)	(11/64)	(29/64)	(2-9/32)	(2-15/32)	(3-3/4)	(1-3/16)	(2-31/32)	(2-3/64)
	CEP7(S)-EE_D											
CEP7-EPE	CEP7(S)-EE_E	72	107.4	127	5.5	26.4	54.5	48.3	90	60	~	43.3
		(2-53/64)	(4-15/64)	(5-1/64)	(5/32)	(3/4)	(2-9/64)	(1-29/32)	(3-23/64)	(2-23/64)		(1-45/64)

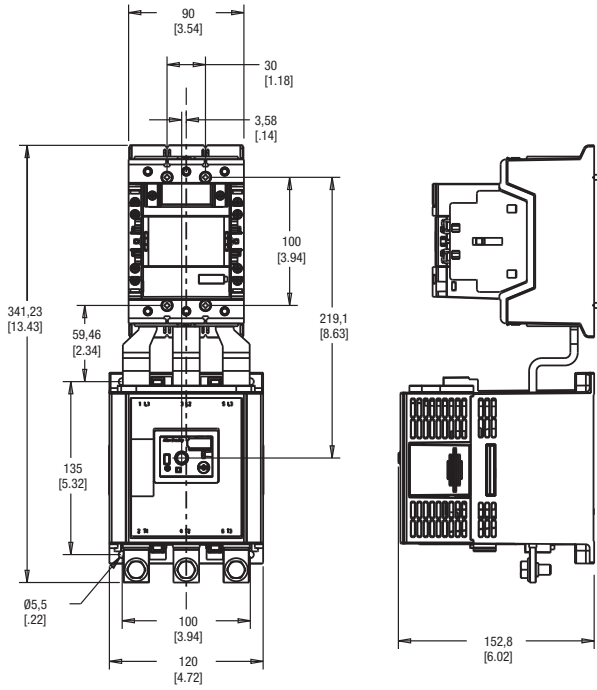
DIN-rail / Panel Adapter Terminal Cross Sections		CEP7-EPB ❶	CEP7-EPD ❶	CEP7-EPE
Flexible stranded with ferrule	Single conductor	1.0...4.0mm ²	2.5...16mm ²	4.0...35mm ²
	Torque	1.8 Nm	2.3 Nm	4.0 Nm
	Two conductor	1.0...4.0mm ²	2.5...10mm ²	4.0...25mm ²
	Torque	1.8 Nm	2.3 Nm	4.0 Nm
Course stranded / solid	Single conductor	1.5...6.0mm ²	2.5...25mm ²	4.0...50mm ²
	Torque	1.8 Nm	2.3 Nm	4.0 Nm
	Two conductor	1.5...6.0mm ²	2.5...16mm ²	4.0...35mm ²
	Torque	1.8 Nm	2.3 Nm	4.0 Nm
Stranded / solid	Single conductor	14...8 AWG	16...6 AWG	12...1 AWG
	Torque	16 lb-in	20 lb-in	35 lb-in
	Two conductor	14...10 AWG	16...6 AWG	12...2 AWG
	Torque	16 lb-in	20 lb-in	35 lb-in

❶ For multiple conductor applications, the same size and style of wire must be used.

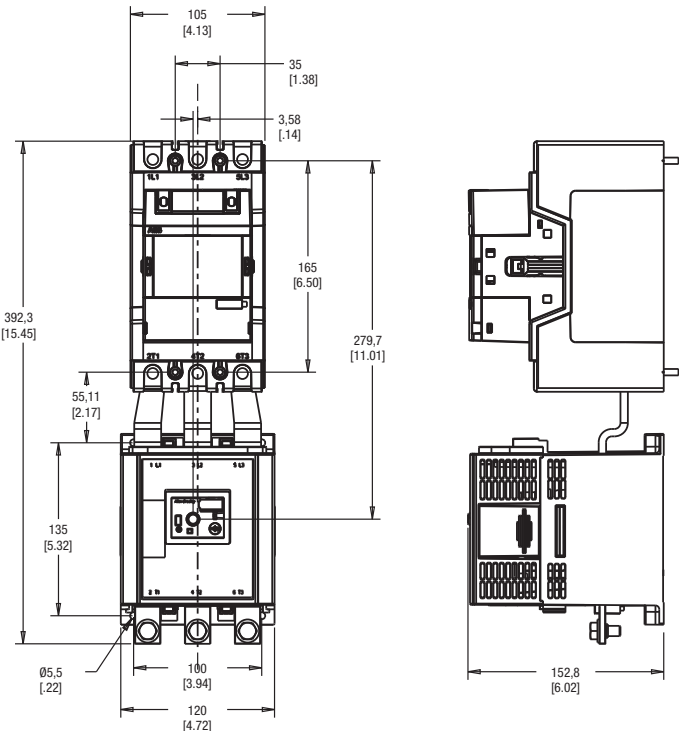
B
CEP7 Overloads

CEP7 Current Transformer Models mounted to CA9 Contactor (116-205A)

Dimensions are in millimeters (inches). Dimensions not intended for manufacturing purposes.



CA9-116 AND CA9-146 CONTACTORS SHOWN

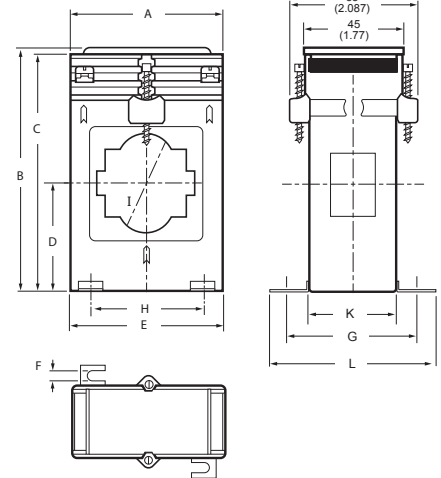
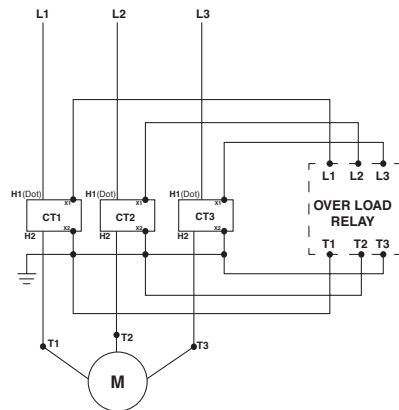
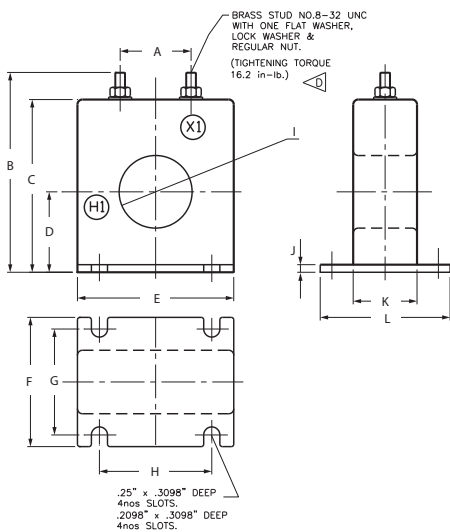


CA9-190 AND CA9-205 CONTACTORS SHOWN

CEP7-CT

CEP7-CT-UL

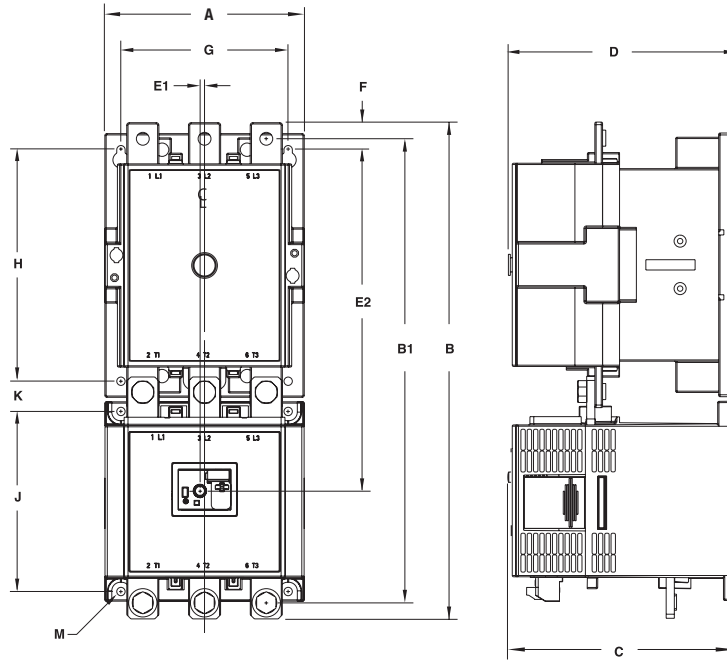
CEP7-CT-CE



DIMENSIONS mm (inches)	A	B	C	D	E	F	G	H	I	J	K	L
CEP7-CT-UL-300	27.29 (1.09)	79.5 (3.13)	68.6 (2.7)	32.5 (1.27)	60.96 (2.40)	50 (1.96)	40.4 (1.59)	44.45 (1.75)	29 (1.14)	3 (0.118)	24 (0.94)	50 (1.96)
CEP7-CT-UL-600	83.31 (3.28)	134.4 (5.29)	123.2 (4.85)	59.4 (2.34)	115.8 (4.56)	54.1 (2.13)	44.45 (1.75)	96 (3.78)	63.5 (2.50)	4.3 (0.17)	27.4 (1.08)	54.1 (2.13)
CEP7-CT-CE-300	71 (2.80)	88.5 (3.48)	85.5 (2.7)	36.75 (1.27)	70 (2.75)	6.5 (0.26)	57 (2.24)	50 (1.97)	32 (1.26)		40 (1.58)	72 (2.83)
CEP7-CT-CE-400	96 (3.75)	108.5 (4.27)	105.5 (4.85)	48.3 (1.90)	95 (3.74)	4.5 (0.177)	57 (2.24)	70 (3.75)	44 (1.73)	~	40 (1.58)	72 (2.83)

CEP7 Current Transformer Models mounted to CA6 Contactor (Discontinued)

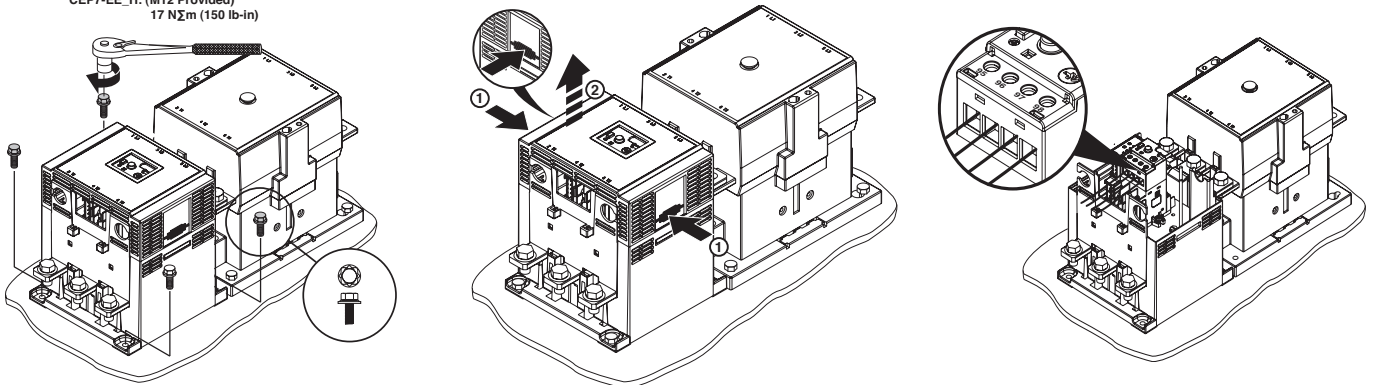
Dimensions are in millimeters (inches). Dimensions not intended for manufacturing purposes.



Overload Relay Cat.	Contactor Cat.	A Width	B Height		B1	C Depth	D	E1	E2	F	G	H	J	K	M
			Without Terminal Covers	With Terminal Covers											
CEP7-EEHF CEP7-EEJF	CA6-115 (EI)	120	339.8	418	317.8	152.7	156	36	226.3	16	100	145	135	22.3	5.6
	CA6-140 (EI)	(4.72)	(13.38)	(16.46)	(12.51)	(6.01)	(6.14)	(.14)	(8.91)	(.63)	(3.94)	(5.71)	(5.31)	(.88)	(0.22)
	CA6-180 (EI)														
CEP7-EE_G	CA6-210 EI	155	385.8	487.4	360.8	176.5	180	36	265.5	21	130	180	140	23.5	6.5
	CA6-300-EI	(6.10)	(15.19)	(19.19)	(14.2)	(6.95)	(7.09)	(.14)	(10.44)	(.83)	(5.12)	(7.09)	(5.51)	(.93)	(0.26)
	CA6-420 EI														
CEP7-EE_H	CA6-630 EI	255	552	915	508	269.3	270.7	36	384.1	52.5	226	230	108	109	13
	CA6-860 EI	(10.04)	(21.73)	(36.02)	(20)	(10.6)	(10.66)	(.14)	(15.12)	(2.07)	(8.90)	(9.06)	(4.25)	(4.29)	(0.51)

Assembly Instructions

- CEP7-EE_F: (M5)
3.4 NΣm (30 lb-in)
- CEP7-EE_G: (M6)
5.1 NΣm (45 lb-in)
- CEP7-EE_H: (M12 Provided)
17 NΣm (150 lb-in)



① 8 mounting holes.

Series CEP9 Electronic Overload Relays

Choose Series CEP9 overloads for advanced communication and motor protection



- Intelligent motor protection (EtherNet/IP enabled)
- Scalable solution
- Diagnostic Information
- Integrated I/O
- Adjustable trip class 5...30
- Wide current range
- Test/Reset button
- Programmable trip and warning settings
- True RMS current/voltage sensing (50/60 Hz)
- Protection for single- and three-phase motors

The CEP9 Electronic Overload Relay is an advanced electronic overload from Sprecher + Schuh. Its modular design, communication options, diagnostic information, simplified wiring and integration into Logix make this the ideal overload for motor control applications in an automation system. The CEP9 Overload Relay provides flexibility, reduces engineering time, and maximizes uptime for important motor starter applications.

Intelligent Motor Protection

Easy automation system integration

- Network Connectivity
- Native I/O
- DeviceLogix™ Technology Enabled
- Pre-programmed Operating Modes

Diagnostic Information

Monitor motor performance

- Voltage, Current and Energy
- Trip / Warning Histories
- % Thermal Capacity Utilization
- Time to Trip
- Time to Reset
- Operational Hours
- Number of Starts
- Snapshot Log



Modular Design

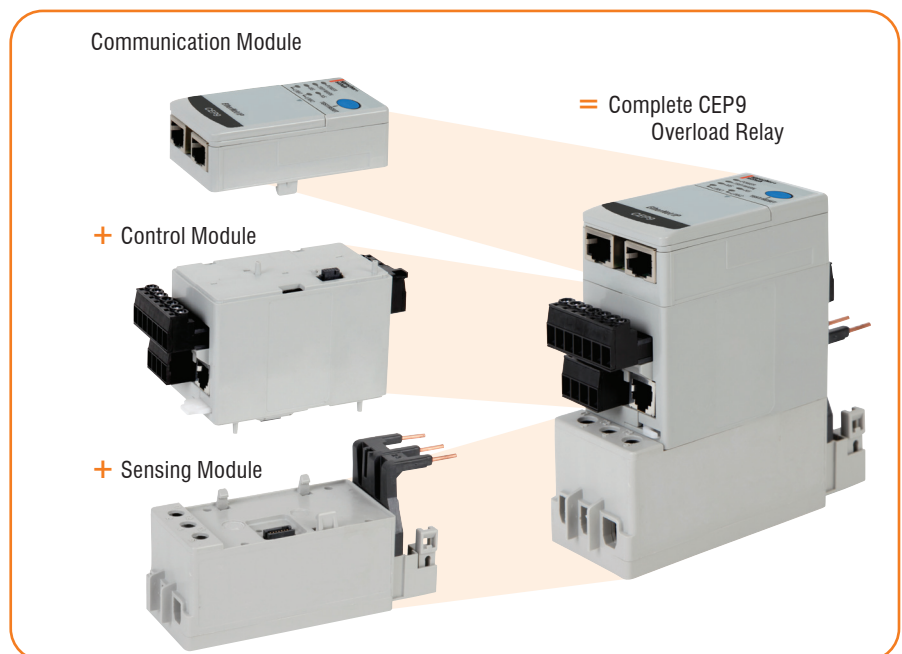
For exact application needs

- Wide Current Range
- Multiple Sensing Capabilities
- Expansion I/O
- Operator Interface

On Board Features

The CEP9 Overload Relay incorporates the newest technologies directly into the device to help simplify installation and configuration. Simplified wiring between the CEP9 overload relay and CA7 or CA9 contactor ensure easy installation.

On-device settings include network address configuration, restore factory default settings, and enable security settings. CEP9 overloads also include removable terminal blocks, I/O and Operator Station Dual Port EtherNet/IP, and it supports device level ring.



Thermal Utilization

The CEP9 Electronic Overload Relay provides overload protection through true RMS current measurement of the individual phase currents of the connected motor. Based on this information, a thermal model that simulates the actual heating of the motor is calculated. Percent of thermal capacity utilization (%TCU) reports this calculated value and can be read via a communications network. An overload trip occurs when the value reaches 100%.

Adjustable Settings

Thermal overload protection setup is accomplished simply by programming the motor's full load current (FLC) rating and the desired trip class (5...30). Programming of the actual values through software programming ensures the accuracy of the protection.

Thermal Memory

The CEP9 Electronic Overload Relay includes a thermal memory circuit designed to approximate the thermal decay for a trip class 20 setting. This means that the thermal model of the connected motor is maintained at all times, even if the supply power is removed.

Reset Modes

This flexibility allows the end-user the ability to select between manual and automatic reset for an overload trip, allowing for broad application. The point of reset is user adjustable from 1...100% TCU.

Time to Trip

During an overload condition, the CEP9 Electronic Overload Relay provides an estimated time to trip that is accessible via a communications network. This allows corrective action to be taken so that production may continue uninterrupted.

Time to Reset

Following an overload trip, the CEP9 Electronic Overload Relay will not reset until the calculated percentage of thermal capacity utilization falls below the reset level. As this value decays, the

time to reset, which is accessible via a communications network, is reported.

Thermal Warning

The CEP9 Electronic Overload Relay provides the capability to alert in the event of an impending overload trip. A thermal warning bit is set in the Warning Status when the calculated percentage of thermal capacity utilization exceeds the programmed thermal warning level, which has a setting range of 0...100% TCU.

Two-Speed Protection

The CEP9 Electronic Overload Relay offers a second FLA setting for 2-speed motor protection. What used to require two separate overload relays - one for each set of motor windings - can now be accomplished with one device. Improved protection is delivered as thermal utilization is maintained in one device during operation in both speeds.

Phase Loss

The CEP9 Electronic Overload Relay offers configurable phase loss protection, allowing the installer to enable or disable the function, plus set a time delay adjustable from 0.1...25.0 seconds. The trip level is factory-set at a current imbalance measurement of 100%.

Ground (Earth) Fault

The CEP9 Electronic Overload Relay incorporates zero sequence (core balance) sensing into its design for low level (arcing) ground fault detection. Trip and warning settings are adjustable from 20 mA...5.0 A. For devices rated greater than 200 A and for ground fault detection less than 1.0 A, the external core balance current transformer accessory is required. Class I protection is provided as defined by UL1053. The CEP9 Electronic Overload Relay provides a max. trip-inhibit setting, offering flexibility to prevent tripping

when the ground fault current magnitude exceeds 6.5 A. This can be useful to guard against the opening of the controller when the fault current could potentially exceed the controller's interrupting capacity rating.

Note: The CEP9 Electronic Overload Relay is not a Ground Fault Circuit Interrupter for personnel protection as defined in article 100 of the U.S. National Electric Code.

Stall

"Stall" is defined as a condition where the motor is not able to reach full-speed operation in the appropriate amount of time required by the application. This can result in motor overheating as current draw is in excess of the motor's full load current rating. The CEP9 Electronic Overload Relay provides user-adjustable stall protection. The trip setting has a range of 100...600% FLA, and the enable time is adjustable up to 250 seconds.

Jam (Overcurrent)

The CEP9 Electronic Overload Relay can respond quickly to take a motor off-line in the event of a mechanical jam, thereby reducing the potential for damage to the motor and the power transmission components.

Trip adjustments include a trip setting adjustable from 50...600% FLA and a trip delay time with a range of 0.1...25.0 seconds. A separate warning setting is adjustable from 50...600% FLA.



Underload (Undercurrent)

A sudden drop in motor current can signal conditions such as:

- Pump cavitation
- Tool breakage
- Belt breakage

For these instances, rapid fault detection can help minimize damage and aid in reducing production downtime.

Additionally, monitoring for an underload event can provide enhanced protection for motors that are coded by the medium handled (e.g., submersible pumps that pump water). Such motors can become overheated despite being underloaded. This can result from an absence or an insufficient amount of the medium (due to clogged filters, closed valves, etc.).

The CEP9 Electronic Overload Relay offers underload trip and warning settings adjustable from 10...100% FLA. The trip function also includes a trip delay time with a range of 0.1...25.0 seconds.

Current Imbalance (Asymmetry)

The CEP9 Electronic Overload Relay offers current imbalance trip and warning settings adjustable from 10...100%. The trip function also includes a trip delay time with a range of 0.1...25.0 seconds.

Remote Trip

The remote trip function allows an external device (e.g., a vibration sensor) to induce the CEP9 Electronic Overload Relay to trip. External device relay contacts are wired to the CEP9 Electronic Overload Relay discrete inputs. These discrete inputs are configurable with an option for assigning the remote trip function.

Current Monitoring Functions

The CEP9 Electronic Overload Relay allows the user to monitor the following operational data over a communications network:

- Individual phase currents — in amperes
- Individual phase currents — as a percentage of motor FLC
- Average current — in amperes
- Average current — as a percentage of motor FLC
- Percentage of thermal capacity utilized
- Current imbalance percentage
- Ground fault current

Diagnostic Functions

The CEP9 Electronic Overload Relay allows the user to monitor the following diagnostic information over the Ethernet/IP network:

- Device status
- Trip status
- Warning status
- Time to an overload trip
- Time to reset after an overload
- History of past five trips
- History of positive warnings
- Hours of operation
- Number of starts
- Trip snapshot trip

Status Indicators

The CEP9 Electronic Overload Relay provides the following LED indicators:

- **Power** — This green/red LED indicates the status of the overload relay.
- **TRIP/WARN** — This LED flashes a yellow code under a warning condition and a red code when tripped.

Inputs/Outputs

Inputs allow the connection of such devices as contactor and disconnect auxiliary contacts, pilot devices, limit switches, and float switches. Input status can be monitored via the network and mapped to a controller's input image table. Inputs are rated 24V DC, 120V AC, or 240V AC and are current sinking. Power for the inputs is sourced separately with convenient customer sources at terminal A1. Relay contact outputs can be controlled via the network or DeviceLogix function blocks for performing such tasks as contactor operation.

Test/Reset Button

The Test/Reset button, located on the front of the CEP9 Electronic Overload Relay, allows the user to perform the following:

- **Test** — The trip relay contact will open if the CEP9 Electronic Overload Relay is in an untripped condition and the Test/Reset button is pressed for 2 seconds or longer.
- **Reset** — The trip relay contact will close if the CEP9 Electronic Overload Relay is in a tripped condition, supply voltage is present, and the Test/Reset button is pressed.

Single/Three-Phase Operation

The CEP9 Electronic Overload Relay can be applied to three-phase as well as single-phase applications. A programming parameter is provided for selection between single- and three-phase operation. Straight-through wiring is afforded in both cases.





EtherNet/IP Communications

The CEP9 EtherNet/IP communication module has two RJ45 ports that act as an Ethernet switch to support a star, linear, and ring topology and supports the following:





- 2 concurrent Class 1 connections [1 exclusive owner + (1 input only or 1 listen only)]
- 6 simultaneously Class 3 connections (explicit messaging)
- Embedded web server
- SMPT server for trip and warning events
- Embedded EDS file



Current Sensing Module

Description	Mounting Options	For Use With	Current Range [A]	Catalog Number
	IEC Contactors	CA7-9...23	0.5...30	CEP9-ESM-I-23-30
		CA7-30...55	0.5...30	CEP9-ESM-I-55-30
			6...60	CEP9-ESM-I-55-60
		CA7-60...97	10...100	CEP9-ESM-I-97-100
		CA6-115...180	20...200	CEP9-ESM-I-180-200
		CA9-116...146	20...200	CEP9-ESM-I-146-200
CA9-190...205	20...200	CEP9-ESM-I-205-200		
	DIN Rail Mount (to 60A) ①	All contactors and external current transformers	0.5...30	CEP9-ESM-I-T-30
			6...60	CEP9-ESM-I-T-60
	DIN Rail Mount (10 to 200A) ②	All contactors	10...100	CEP9-ESM-I-T-100
			20...200	CEP9-ESM-I-T-200
	DIN Rail / Panel Mount	All contactors and external current transformers	0.5...30	CEP9-ESM-I-7T-30
			6...60	CEP9-ESM-I-7T-60
			10...100	CEP9-ESM-I-7T-100
	DIN Rail Mount Pass-thru (to 60A) ①	All contactors and external current transformers	0.5...30	CEP9-ESM-I-P-30
			6...60	CEP9-ESM-I-P-60
	DIN Rail Mount Pass-thru (10 to 200A) ②	All contactors	10...100	CEP9-ESM-I-P-100
			20...200	CEP9-ESM-I-P-200

Current/Ground Fault Sensing Module





Description	Mounting Options	For Use With	Current Range[A]	Catalog Number
	IEC Contactors	CA7-9...23	0.5...30	CEP9-ESM-IG-23-30
		CA7-30...55	0.5...30	CEP9-ESM-IG-55-30
			6...60	CEP9-ESM-IG-55-60
		CA7-60...97	10...100	CEP9-ESM-IG-97-100
		CA6-115...180	20...200	CEP9-ESM-IG-180-200
		CA9-116...146	20...200	CEP9-ESM-IG-146-200
CA9-190...205	20...200	CEP9-ESM-IG-205-200		
	DIN Rail Mount (up to 60A) ①	All contactors and external current transformers	0.5...30	CEP9-ESM-IG-T-30
			6...60	CEP9-ESM-IG-T-60
	DIN Rail Mount (10 to 200A) ②	All contactors	10...100	CEP9-ESM-IG-T-100
			20...200	CEP9-ESM-IG-T-200
	DIN Rail / Panel Mount	All contactors and external current transformers	0.5...30	CEP9-ESM-IG-7T-30
			6...60	CEP9-ESM-IG-7T-60
			10...100	CEP9-ESM-IG-7T-100
	DIN Rail Mount Pass-thru (to 60A) ①	All contactors and external current transformers	0.5...30	CEP9-ESM-IG-P-30
			6...60	CEP9-ESM-IG-P-60
	DIN Rail Mount Pass-thru (10 to 200A) ②	All contactors	10...100	CEP9-ESM-IG-P-100
			20...200	CEP9-ESM-IG-P-200

Items in Gray are discontinued

① For Panel Mount option use KT7-45-AS Screw Adaptor. See page F16.


② For Panel Mount option use CEP9-ESM-SA-100 Screw Adaptor. See page B33.

Voltage/Current/Ground Fault Sensing Module



Description	Mounting Options	For Use With	Current Range[A]	Catalog Number
	IEC Contactors	CA7-9...23	0.5...30	CEP9-ESM-VIG-23-30
		CA7-30...55	0.5...30	CEP9-ESM-VIG-55-30
			6...60	CEP9-ESM-VIG-55-60
		CA7-60...97	10...100	CEP9-ESM-VIG-97-100
		CA6-115...180	20...200	CEP9-ESM-VIG-180-200
		CA9-116...146	20...200	CEP9-ESM-VIG-146-200
CA9-190...205	20...200	CEP9-ESM-VIG-205-200		
	DIN Rail Mount (up to 60A) ❶	All contactors and external current transformers	0.5...30	CEP9-ESM-VIG-T-30
	DIN Rail Mount (10 to 100A) ❷	All contactors	6...60	CEP9-ESM-VIG-T-60
			10...100	CEP9-ESM-VIG-T-100
			20...200	CEP9-ESM-VIG-T-200
	DIN Rail / Panel Mount	All contactors and external current transformers	0.5...30	CEP9-ESM-VIG-7T-30
			6...60	CEP9-ESM-VIG-7T-60
		All contactors	10...100	CEP9-ESM-VIG-7T-100
	DIN Rail Mount Pass-thru ❶	All contactors and external current transformers	0.5...30	CEP9-ESM-VIG-CT-30

Items in Gray are discontinued

Control Module

Description	Rated Control Voltage [V]	No. of Inputs/Outputs	Catalog Number
	I/O Module	110...120V AC, 50/60 Hz	4 In/3 Out CEP9-EIO-43-120
		220...240V AC, 50/60 Hz	4 In/3 Out CEP9-EIO-43-240
		24V DC	6 In/3 Out CEP9-EIO-63-24D
	Ground Fault & PTC I/O Module	110...120V AC, 50/60 Hz	2 In / 2 Out CEP9-EIOGP-22-120
		220...240V AC, 50/60 Hz	2 In / 2 Out CEP9-EIOGP-22-240
		24V DC	4 In / 2 Out CEP9-EIOGP-42-24D

Communication Module




Description	Catalog Number
 <p>EtherNet/IP Communication</p> <p>The EtherNet/IP communication module has two RJ45 ports that support a star, linear, and ring topology and supports the following:</p> <ul style="list-style-type: none"> • 2 concurrent Class 1 connections [1 exclusive owner + (1 input only or 1 listen only)] • 6 simultaneous Class 3 connections (explicit messaging) • Embedded web server • SMTP server for trip and warning events (email and text messaging) • Embedded EDS files 	CEP9-ECM-ETR
 <p>Parameter Configuration Module</p> <p>The Parameter Configuration Module (PCM) has one Type B USB interface port and supports the following:</p> <ul style="list-style-type: none"> • Stand-alone non-networked applications • Three rotary dials to set Full Load Amps (FLA) • 8-position DIP switch for trip class and feature selection 	CEP9-ECM-PCM

❶ For Panel Mount option use KT7-45-AS Screw Adaptor. See page F16.

❷ For Panel Mount option use CEP9-ESM-SA-100 Screw Adaptor. See page B33.








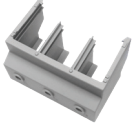
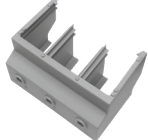
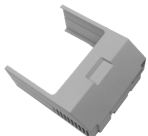
Expansion Modules

B
CEP9 Overloads

Description		Rated Control Voltage [V]	No. of Inputs/Outputs	Catalog Number
	Analog Expansion Module (mA, V, RTD and Resistance)	~	3 Universal In / 1 Out	CEP9-EXP-AIO-31❶
	Digital Expansion 120V AC	110...120V AC, 50/60 Hz	4 In / 2 Out	CEP9-EXP-DIO-42-120
	Digital Expansion 240V AC	220...240V AC, 50/60 Hz	4 In / 2 Out	CEP9-EXP-DIO-42-240
	Digital Expansion 24V DC	24V DC	4 In / 2 Out	CEP9-EXP-DIO-42-24D
	Expansion Power Supply	110...240V AC, 50/60 Hz	~	CEP9-EXP-PS-AC
		24V DC	~	CEP9-EXP-PS-DC

❶ Module requires control module firmware v3.000 or higher.

Accessories

Description		For Use With	Catalog Number
	Starter Control Station with 3 meter cable	~	CEP9-EOS-SCS
	Starter Diagnostic Station with 3 meter cable	~	CEP9-EOS-SDS ①
	Contactor Coil Module	CA7-9...23 contactors	CEP9-EIO-CM-23
		CA7-30...55 contactors	CEP9-EIO-CM-55
		CA7-60...97 contactors	CEP9-EIO-CM-97
	Expansion Module Cable	1 Meter	CEP9-EXP-CBL-1M
		3 Meter	CEP9-EXP-CBL-3M
	Replacement Connectors	CEP9-EIOGP-22-	CEP9-NCIOGP-22-CNT
		CEP9-EIO-43-	CEP9-NCIO-43-CNT
		CEP9-EIOGP-42-24D	CEP9-NCIOGP-42-CNT
		CEP9-EIO-63-24D	CEP9-NCIO-63-CNT
		CEP9-EXP-DIO-42-	CEP9-NCXP-DIO-CNT
		CEP9-EXP-AIO-31	CEP9-NCXP-AIO-CNT
	Panel Mount Screw Adapter	CEP9-ESM-_-T-30	KT7-45-AS
		CEP9-ESM-_-T-60	
		CEP9-ESM-_-7T-30	
		CEP9-ESM-_-7T-60	
		CEP9-ESM-_-P-30	
		CEP9-ESM-_-P-60	
		CEP9-ESM-VIG-CT-30	
	Panel Mount Screw Adaptor	CEP9-ESM-_-100	CEP9-ESM-SA-100 ②
	Load Side Terminal Cover	CEP9-ESM-_-180-200 CEP9-ESM-_-T-200	CEP9-ESM-TCT-200
	Line Side Terminal Cover	CEP9-ESM-_-180-200	CEP9-ESM-TCL-200
	Contactor Side Terminal Cover	CEP9-ESM-_-180-200	CEP9-ESM-TC-180

① Module requires control module firmware v3.000 or higher.
 ② Sold in multiples of 10. Minimum order is one package of 10.

Electrical Specifications

Motor/Load Ratings

Terminals	1/L1, 3/L2, 5/L3, 2/T1, 4/T2, 6/T3	
Rated Insulation Voltage (Ui)	690V AC	
Rated Operating Voltage (Ue)	IEC: 690V AC UL: 600V AC	
Rated Impulse Voltage (Uimp)	6 kV	
Rated Operating Current (Ie)	See Catalog Number Explanation	
Rated Frequency	45...65 Hz ①	
Short Circuit Ratings	See user manual	
Number of Poles	3	
Application	Single-phase or Three-phase	

Power Supply Ratings

Rated Supply Voltage (Us)	120V AC	240V AC
Operating Range	85...132V AC	159...265V AC
Maximum Inrush Current	6 A	
Maximum Power Consumption		
CEP9:	6 W	
CEP9 with expansion:	8 W	
Maximum Power Interruption Time		
Vmin:	10 ms	10 ms
Vmax:	10 ms	10 ms

Output Relay Ratings (Control Module and Expansion Digital Module)

Terminals	Relay 0:	R03/R04
	Relay 1:	R13/R14
	Relay 2:	R23/R24
Type of Contacts	Form A SPST - NO	
Rated Thermal Current (Ithe)	5 A	
Rated Insulation Voltage (Ui)	300V AC	
Rated Operating Voltage (Ue)	250V AC	
Rated Operating Current (Ie)	3 A (@120V AC), 1.5 A (@240V AC) 0.25 A (@110V DC), 0.1 A (@220V DC)	
Minimum Operating Current	10 mA @ 5V DC	
Rating Designation	B300	
Utilization Category	AC-15	
Resistive Load Rating (p.f. = 1.0)	5 A, 250V AC 5 A, 30V DC	
Inductive Load Rating (p.f. = 0.4) (L/R = 7 ms)	2 A, 250V AC 2 A, 30V DC	
Short Circuit Current Rating	1,000 A	
Recommended Control Circuit Fuse	KTK-R-6 (6 A, 600 V)	
Rated Number of Operations		
Relay 0, Relay 1, and Relay 2:		
with CA7-09...CA7-55	5,000,000	
with CA7-60...CA7-97	2,500,000	

Input Ratings (Control Module and Expansion Digital Module)

Terminals	Input 0:	INO	
	Input 1:	IN1	
	Input 2:	IN2	
	Input 3:	IN3	
	Input 4:	IN4	
	Input 5:	IN5	
Supply Voltage	24V DC	120V AC	240V AC
Type of Inputs	Current Sinking	~	~
On-State Voltage	11V DC	74V AC	159V AC
On-State Current (turn-on)	2 mA	5 mA	5 mA
Off-State Voltage	5V DC	20V AC	40V AC
Off-State Current	1.5 mA	2.5 mA	2.5 mA
Transition Voltage	5...11V DC	20...74V AC	40...159V AC
Transition Current	1.5...2.0 mA	2.5...5 mA	2.5...5 mA

Low Voltage Directive

The CEP9 Electronic Overload Relay expansion digital modules are tested to comply with EN60947-5-1 Low-voltage switchgear and controlgear Part 5-1: Control circuit devices and switching elements.

Expansion Digital I/O Modules

Expansion Digital I/O Modules	CEP9-EXP-DIO-42		
	-24D	-120	-240
Digital Output Rated Operational Voltage (Ue):	250V AC	250V AC	250V AC
Digital Output Rated Insulation Voltage (Ui):	2000Vrms for 1s	2000Vrms for 1s	2000Vrms for 1s
Rated Impulse Withstand Voltage (Uimp):	~	~	~
Conditional Short Circuit Current:	1000 A	1000 A	1000 A
Recommended Control Circuit Fuse:	KTK-R (6 A, 600V)	KTK-R (6 A, 600V)	KTK-R (6 A, 600V)
Utilization Category:	AC15, DC13	AC15, DC13	AC15, DC13
Pollution Degree:	3	3	3

Expansion Power Supply Modules

Expansion Power Supply Modules	CEP9-EXP-PS-AC
Rated Operational Voltage (Ue):	100...250V AC
Rated Insulation Voltage (Ui):	2640Vrms for 1s
Rated Impulse Withstand Voltage (Uimp):	4 kV
Conditional Short Circuit Current:	~
Protection Against Short Circuits:	~
Utilization Category:	~
Pollution Degree:	3

① Exception: Any CEP9 Overload Relay that uses an external ground fault sensor is limited to 50/60 Hz detection.

Environmental Specifications

Ambient Temperature ❶	
Storage	-40...+85 °C (-40...+185 °F)
Operating (Open)	-20...+55 °C (-4...+131 °F)
	(Enclosed)
Humidity	
Operating	5...95% Non-condensing
Damp Heat – Steady State (per IEC 68-2-3)	92% r.h., 40 °C (104 °F), 56 days
Damp Heat – Cyclic (per IEC 68-2-30)	93% r.h., 25 °C/40 °C (77 °F/104 °F), 21 Cycles
Cooling Method	Natural Convection
Vibration (per IEC 68-2-6)	2.5G operating, 5 G non-operating
Shock (per IEC 68-2-27)	30 G
Maximum Altitude	2000 m ❷
Pollution Environment Pollution Degree	3
Terminal Marking	EN 50012
Degree of Protection	IP20

Electromagnetic Compatibility Specifications

Electrostatic Discharge Immunity	
Test Level:	8kV Air Discharge 6kV Contact Discharge
Performance Criteria:	1 ❸❹
RF Immunity	
Test Level:	10V/m
Performance Criteria:	1 ❸❹
Electrical Fast Transient/Burst Immunity	
Test Level:	4kV (Power) 2kV (Control & Comm)
Performance Criteria:	1 ❸❹
Surge Immunity	
Test Level:	2kV (L-E) 1kV (L-L)
Performance Criteria:	1 ❸❹
Radiated Emissions	Class A
Conducted Emissions	Class A

Torque and Wire Size Specifications

CEP9 Sensing Module		Torque		Wire Size	
		30A/60A	100A	30A/60A	100A
Stranded/Solid [AWG]	Single	22 lb-in	35 lb-in	#14...6 AWG	#12...1 AWG
	Multiple	30 lb-in	30 lb-in	#10...6 AWG	#6...2 AWG
Flexible-Stranded w/Ferrule	Single	2.5 N-m	4 N-m	2.5...16mm ²	4...35 mm ²
	Multiple	3.4 N-m	4 N-m	6...10mm ²	4...25 mm ²
Course-Stranded/Solid Metric	Single	2.5 N-m	4 N-m	2.5...25mm ²	4...50 mm ²
	Multiple	3.4 N-m	4 N-m	6...16mm ²	4...35 mm ²
CEP9 Control Module		Torque		Wire Size	
Stranded/Solid [AWG]	Single	4 lb-in		#24...12 AWG	
	Multiple	4 lb-in		#24...16 AWG	
Flexible-Stranded w/Ferrule	Single	0.45 N-m		0.25...2.5 mm ²	
	Multiple	0.45 N-m		0.5...0.75 mm ²	
Course-Stranded/Solid Metric	Single	0.45 N-m		0.2...2.5 mm ²	
	Multiple	0.45 N-m		0.2...1.5 mm ²	

Protection

	Trip	Warning
Overload	Yes	Yes
Phase Loss	Yes	No
Ground Fault	Yes	Yes
Stall	Yes	No
Jam	Yes	Yes
Underload	Yes	Yes
Thermistor (PTC)	Yes	Yes
Current Imbalance	Yes	Yes
Communication Fault	Yes	Yes
Communication Idle	Yes	Yes
Remote Trip	Yes	No
Blocked Start/Start Inhibit	Yes	No
Under Voltage L-L	Yes	Yes
Over Voltage L-L	Yes	Yes
Voltage Unbalance	Yes	Yes
Phase Rotation	Yes	Yes

Overload Protection

Type of Relay	Ambient Compensated Time-Delay Phase Loss Sensitive
Nature of Relay	Solid-State
FLA Setting	See user manual
Trip Rating	120% FLA
Trip Class	5...30
Reset Mode	Automatic or Manual
Overload Reset Level	1...100% TCU

Ground Fault Protection (External Ground Fault Module)

Type	Core Balanced
Intended Use	Equipment Protection
Classification (Per UL 1053)	Class I
Protection Range	20...100 mA 100...500 mA 200 mA...1.0 A 1.0...5.0 A
Trip & Warning Time Delay	0.1...25.0 s
Protection Inhibit Time	0...250 s

Accuracy

Metering

The CEP9 Electronic Overload Relay metering accuracy is listed below:

Current	±2% of Sensing Module Current
---------	-------------------------------

Range

Protection Timers

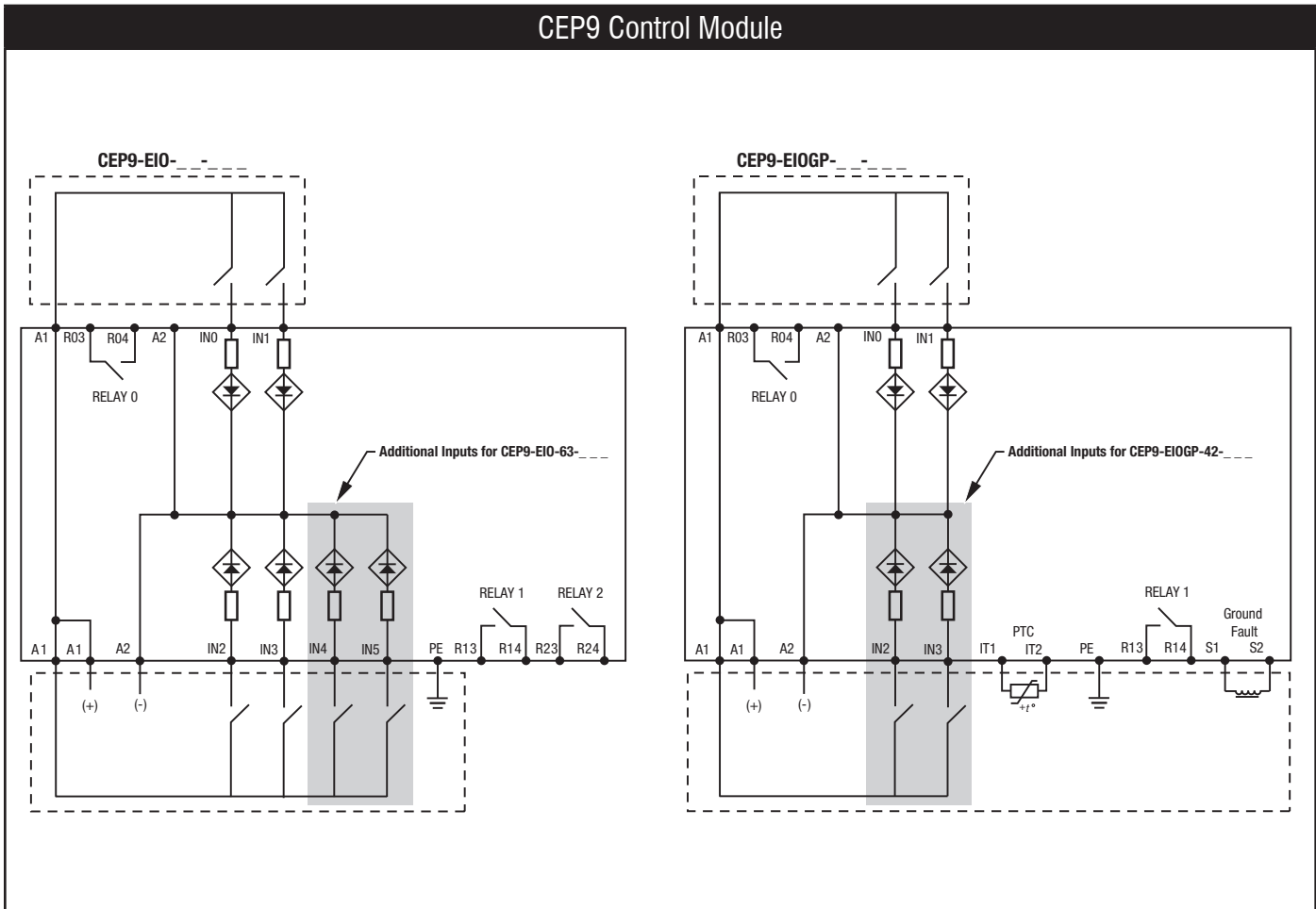
All CEP9 Electronic Overload Relay trip timers have a resolution of ±0.1 s or 0.1 s/25 s (whichever is greater).

❶ The CEP9 Electronic Overload Relay expansion power supplies (CEP9-EXP-PS-AC and CEP9-EXP-PS-DC) surrounding air temperature must not exceed 55 °C (131 °F).

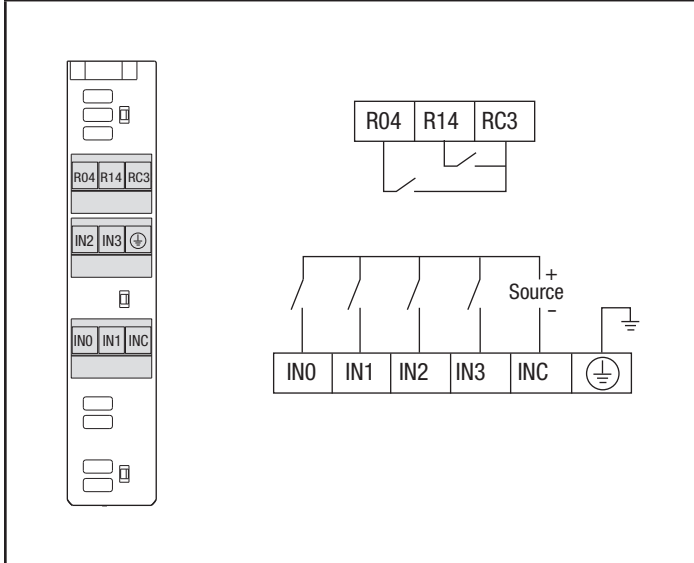
❷ Any CEP9 Overload Relay that uses an external ground fault sensor is limited to 50/60 Hz detection.

❸ Performance Criteria 1 requires the DUT to experience no degradation or loss of performance.

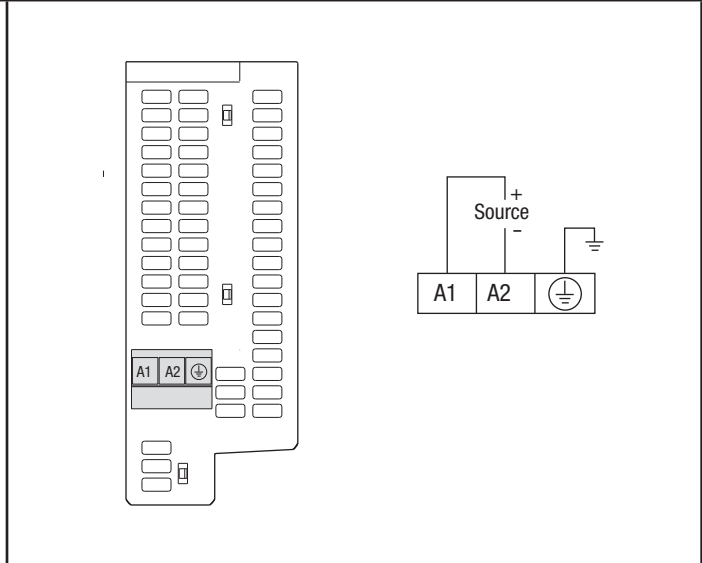
❹ Environment 2.



Expansion Digital I/O Modules (CEP9-EXP-DIO-)

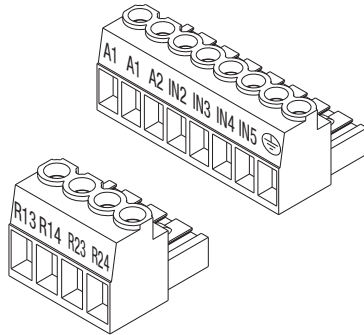


Expansion Power Supplies (CEP9-EXP-PS-)

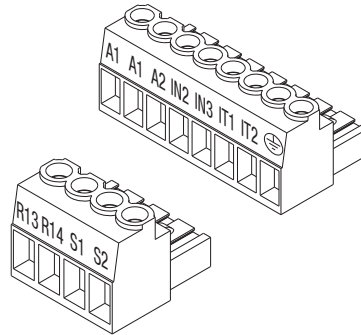


CEP9 Control Module Terminal Designations

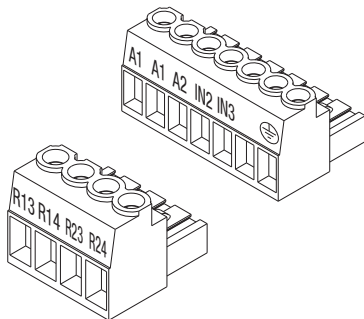
CEP9-EIO-63- ---



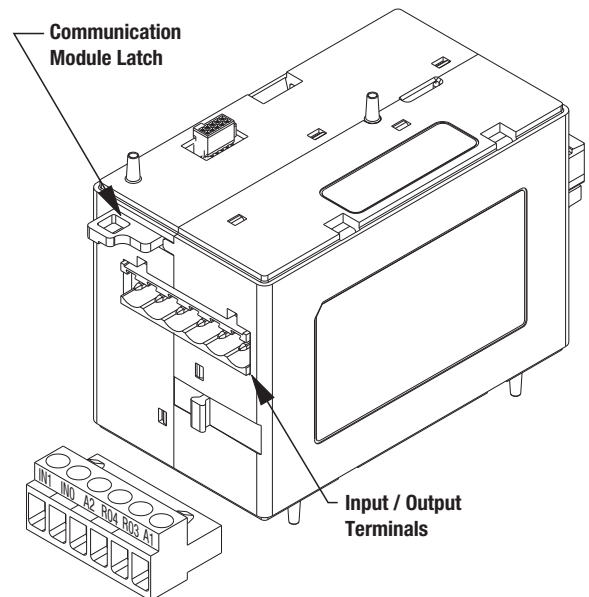
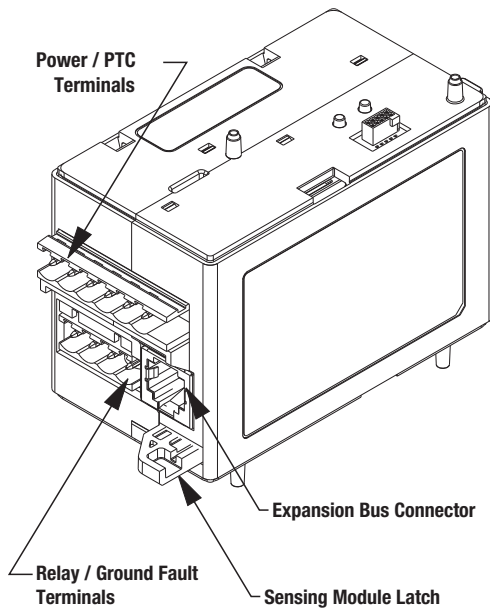
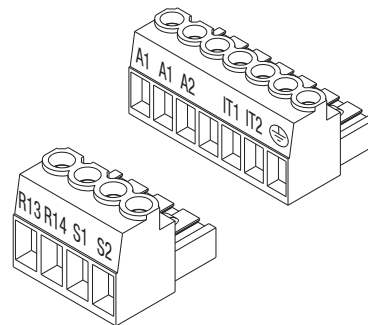
CEP9-EIOGP-42- ---



CEP9-EIO-43- ---



CEP9-EIOGP-22- ---

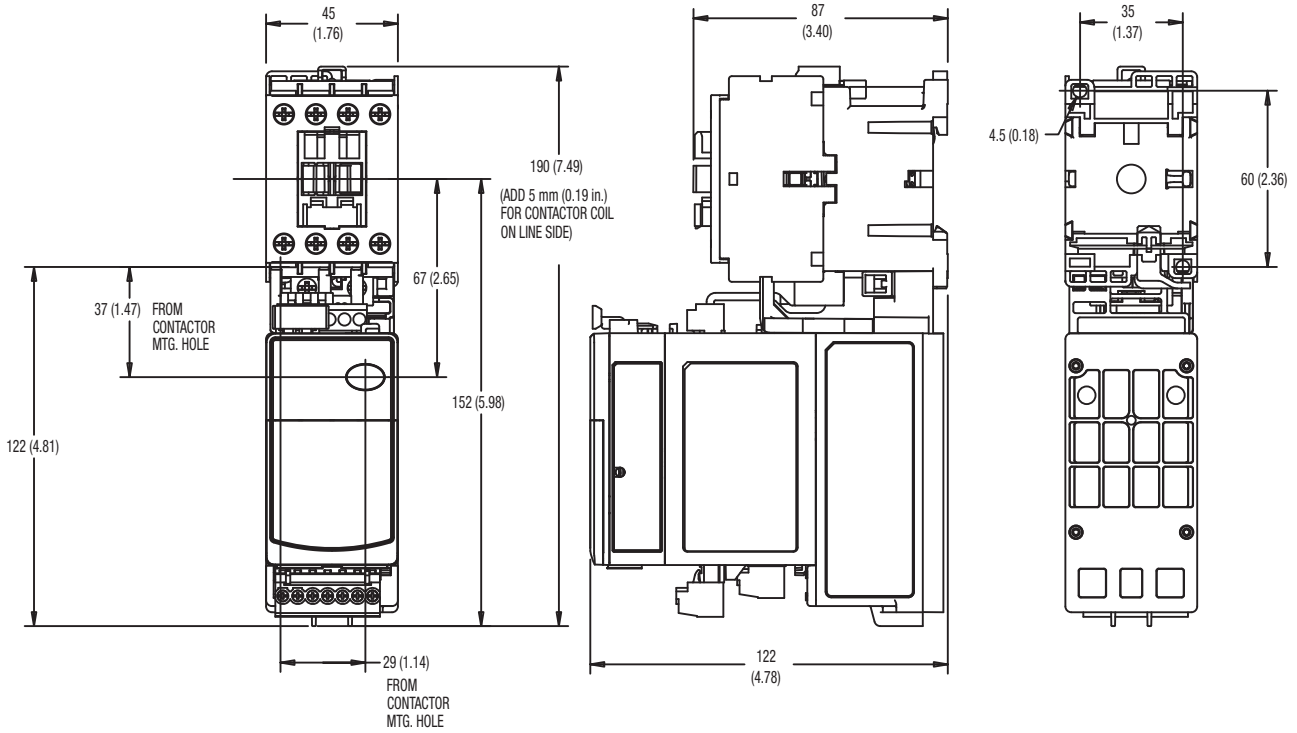


B

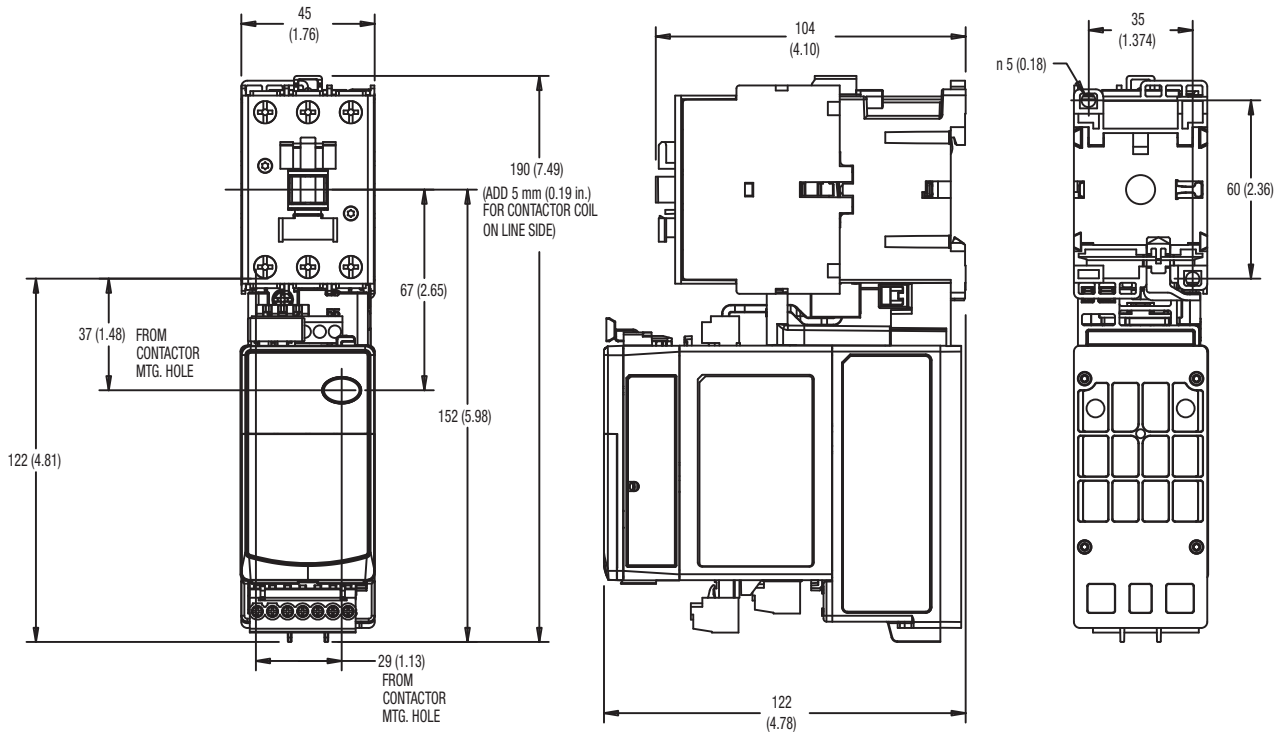
CEP9 Overloads

CEP9 Overload Relay Mounted on CA7-9...23 Contactor

Dimensions are in millimeters (inches). Dimensions not intended for manufacturing purposes.

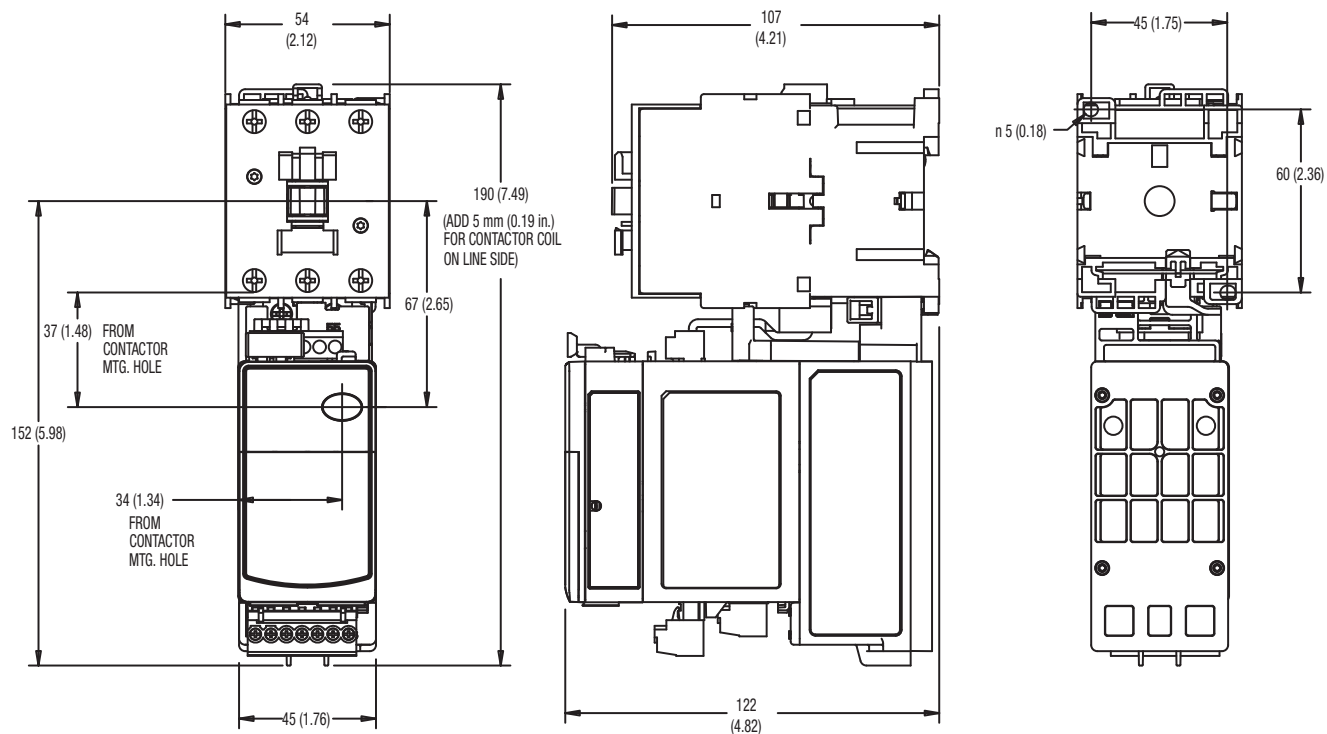


CEP9 Overload Relay Mounted on CA7-30...37 Contactor



CEP9 Overload Relay Mounted on CA7-43...55 Contactor

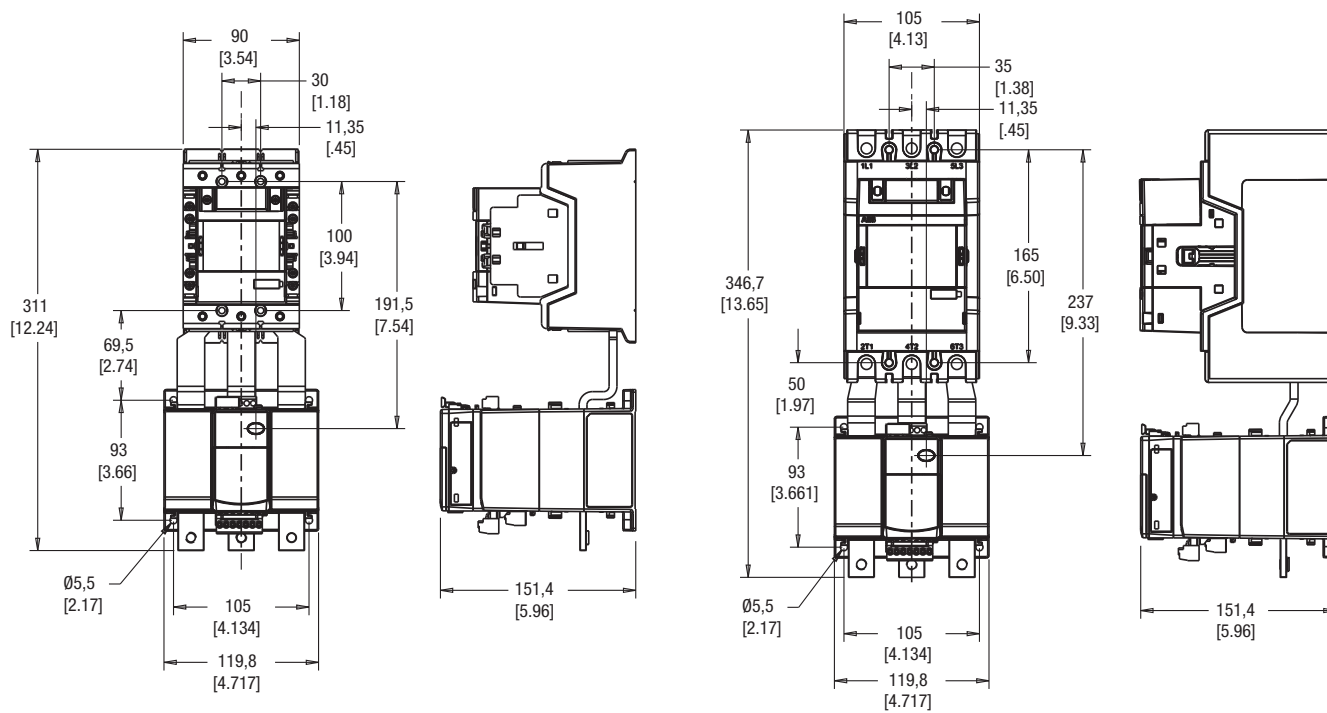
Dimensions are in millimeters (inches). Dimensions not intended for manufacturing purposes.



B

CEP9 Overloads

CEP9 Overload Relay Mounted on CA9-116...205 Contactor

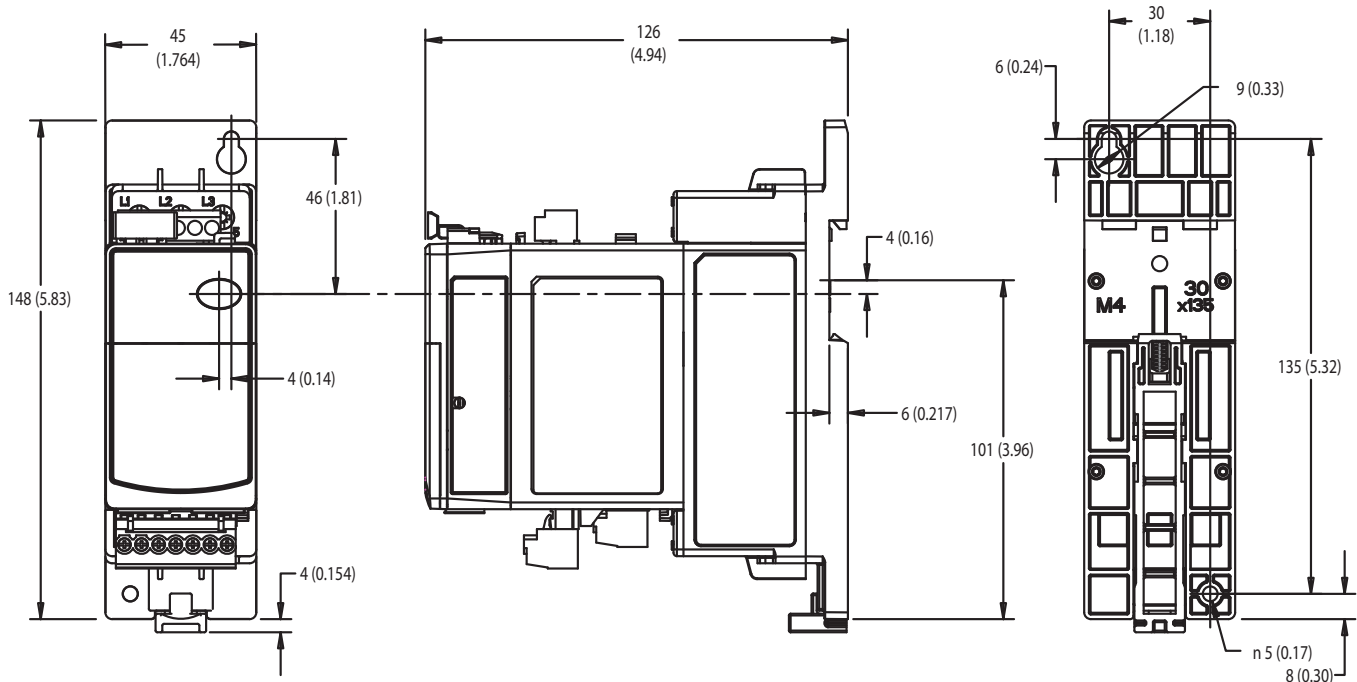


CA9-116 AND CA9-146 CONTACTORS SHOWN

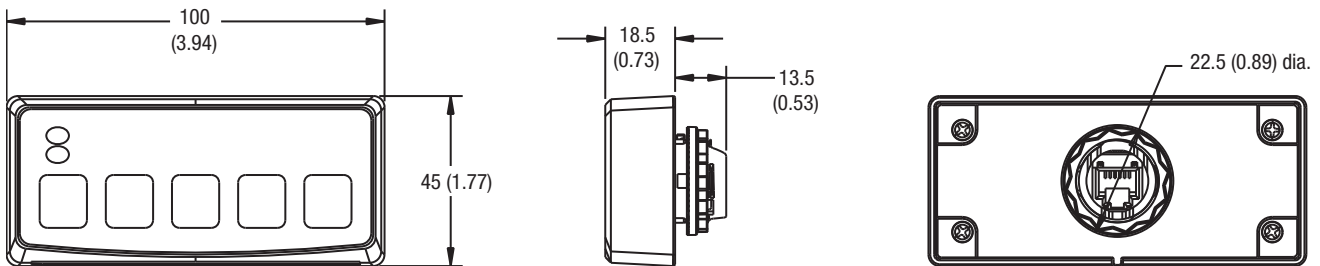
CA9-190 AND CA9-205 CONTACTORS SHOWN

CEP9 Overload Relay DIN Rail/Panel Mounted

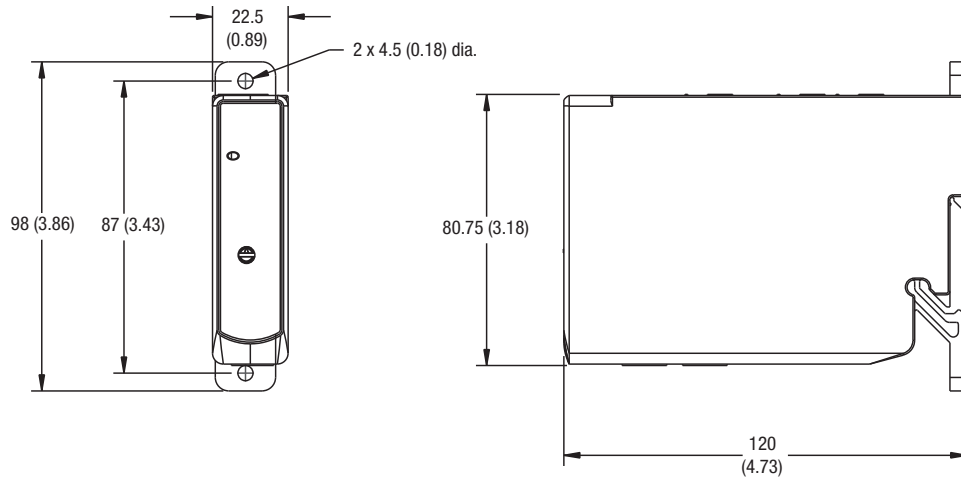
Dimensions are in millimeters (inches). Dimensions not intended for manufacturing purposes.



CEP9 Starter Control Station (CEP9-EOS-SCS)

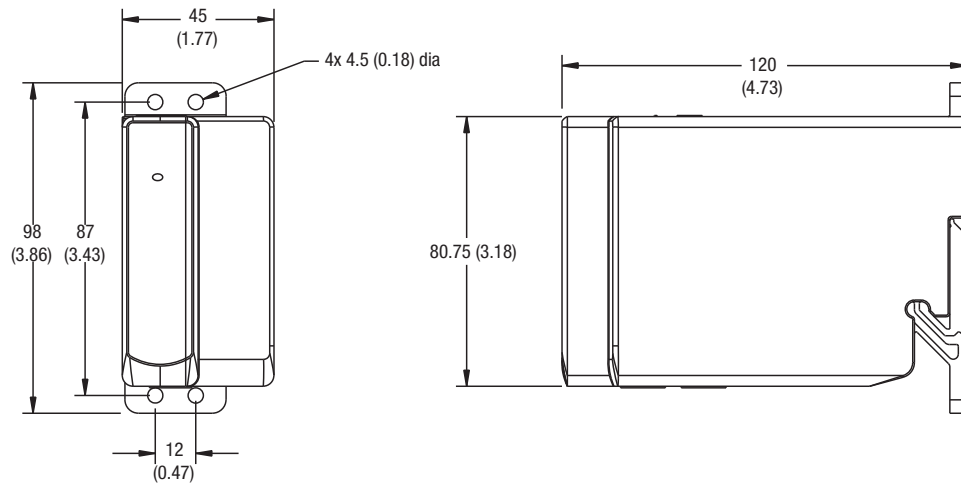


CEP9 Digital Expansion Module (CEP9-EXP-DIO-_)



CEP9 Digital Expansion Power Supply (CEP9-EXP-PS-_)

Dimensions are in millimeters (inches). Dimensions not intended for manufacturing purposes.



Series CT7N Bimetallic Overload Relays

Choose CT7N overloads in DC applications and when monitoring Variable Frequency Drives



Sprecher + Schuh provides outstanding motor protection with our CT7N Bimetallic Overload Relay

Sprecher + Schuh has always paid particular attention to the subject of motor protection. This concern is reflected in our CT7N line of thermal overload relays which include many standard features not available with the eutectic alloy overload blocks and heater elements of the past.

Consistent and reliable protection

The consistent high quality of Sprecher + Schuh thermal overload relays is ensured by a complex, factory current calibration procedure performed on each unit at full operating temperature. Calibration is performed at the largest and smallest current the overload can handle. The accurate time/current characteristic curve obtained in this manner guarantees reliable motor protection every time.

Superior Class 10 characteristics

Today's T-Frame motors have less copper and iron than the old U-Frame motors that were popular when traditional Class 20 overload relays were designed. For this reason, faster Class 10 overloads like the CT7N Series have been recognized by many motor manufacturers as the ideal type to assure optimum protection of "T" frame motors with applications involving normal start-up conditions.

Protection from single phase conditions

A unique feature not found in traditional thermal overload relays provides accelerated tripping under single phase conditions. This is accomplished with a special "differential tripping" mechanism built into CT7N (see illustration at right).

Ambient temperature compensation

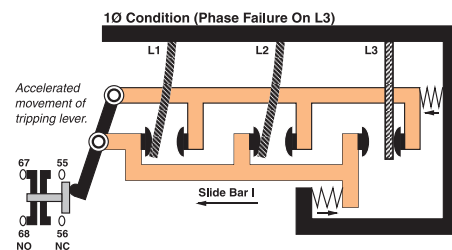
All Sprecher + Schuh thermal overload relays are temperature compensating. An additional bimetallic ambient compensation strip, built into the conductor-bimetal transmission path, ensures that the tripping characteristics of the relay remain constant over an ambient temperature range of -20°C to $+60^{\circ}\text{C}$.

Single phase applications

CT7N Series thermal overload relays can be applied for protection of single phase AC motors. The relays have the same characteristics as shown for three phase operation. To maintain these characteristics, each element of the overload relay must carry the motor current as shown in the connection diagram on page B49.

Other standard features

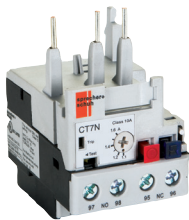

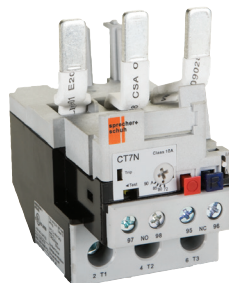
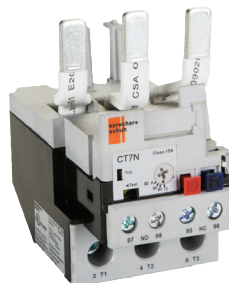



CT7N bimetallic overload relays feature a selectable reset permitting manual or automatic reset modes. A separate NO signal contact is also provided on CT7N overloads, which is isolated from the NC trip contact. This permits the use of a trip signal voltage different than that of the control voltage. The CT7N is also designed to close-couple connect directly to our CA7 contactors, resulting in a compact package.



CT7N Bimetallic Overload Relays offer accelerated tripping under single phase conditions

CT7N Bimetallic Overload Relays, Manual or Automatic Reset ①④

B
CT7N Overloads

Overload Relay	Directly Mounts to Contactor...	Adjustment Range (A)②③	Trip Class 10
			Catalog Number
 CT7N-23-C16	CA7-9...CA7-23	0.10...0.16	CT7N-23-A16
		0.16...0.25	CT7N-23-A25
		0.25...0.40	CT7N-23-A40
		0.35...0.50	CT7N-23-A50
		0.45...0.63	CT7N-23-A63
		0.55...0.80	CT7N-23-A80
		0.75...1.0	CT7N-23-B10
		0.90...1.3	CT7N-23-B13
		1.1...1.6	CT7N-23-B16
		1.4...2.0	CT7N-23-B20
		1.8...2.5	CT7N-23-B25
		2.3...3.2	CT7N-23-B32
		2.9...4.0	CT7N-23-B40
		3.5...4.8	CT7N-23-B48
		4.5...6.3	CT7N-23-B63
		5.5...7.5	CT7N-23-B75
		7.2...10	CT7N-23-C10
		 CT7N-37-C30	CA7-30...CA7-37
11.3...16	CT7N-23-C16		
15...20	CT7N-23-C20		
17.5...21.5	CT7N-23-C21		
21...25	CT7N-23-C25		
15...20	CT7N-37-C20		
 CT7N-85-C90	CA7-43...CA7-55	17.5...21.5	CT7N-37-C21
		21...25	CT7N-37-C25
		24.5...30	CT7N-37-C30
		29...36	CT7N-37-C36
 CT7N-85-C90	CA7-60...CA7-97	33...38	CT7N-37-C38
		17...25	CT7N-43-C25
		24.5...36	CT7N-43-C36
 CT7N-85-C90	Separate mounting required (Panel or DIN-Rail mounted device)	35...47	CT7N-43-C47
		35...47	CT7N-55-C60
		45...60	CT7N-85-C60
		58...75	CT7N-85-C75
		72...90	CT7N-85-C90
 CT7N-85-C90	Separate mounting required (Panel or DIN-Rail mounted device)	85...97	CT7N-97-C97
		35...47	CT7N-85-C47P
		45...60	CT7N-85-C60P
		58...75	CT7N-85-C75P
		72...90	CT7N-85-C90P
 CT7N-85-C90	Separate mounting required (Panel or DIN-Rail mounted device)	85...97	CT7N-97-C97P






① CT7N Bimetallic Overload Relays can be used with AC contactors, Electronic DC contactors (CA7-9E...55E) and Two-Winding DC contactors (CA7-60D...97D).

② To select the setting range for use in Wye-Delta Starters, multiply the rated operating current of the motor by a factor of 0.58.

③ For motors with service factor of 1.15 or greater, use motor nameplate full load current. For motors with service factor of 1.0, use 90% of the motor nameplate full load current.

④ Under phase loss condition, this 3-phase two slider bar tripping mechanism will trip in approximately 45 seconds.



Accessories

Enclosure	Description	For Use With...	Catalog Number
	DIN-rail / Panel Mount Adapter - For separately mounting thermal overload relays	CT7N-23..37	CT7N-37-P-A
	Screw Adapter - For screw fixing of the CT7N-37-P-A panel adapter (1 required per adapter) Pkg. of 10.	CT7N-37-P-A	Use KT7-45-AS
	Remote Reset Solenoid - For remote resetting of the overload relay	CT7N ③ CT8	CMR7N-* <i>Replace * with coil code below</i>
	External Reset Button - Used for manually resetting overloads mounted in enclosures	CT7N all	Use D7 Reset
	Adaptor External Reset - Mounts on relay reset button and provides larger actuation surface.	CT7N ③ CT8	CT7N-RA3

CMR7N Remote Reset Coil Codes

A.C. Coil Code	Voltage Range ④			D.C. Coil Code	Voltage ⑤
	50 Hz	60 Hz	50 / 60 Hz		
24Z	~	~	24V	24D	24VDC
48Z	~	~	48V	48D	48VDC
120	110V	120V	~	110D	110VDC
240Z	~	~	220...240V	125D	125VDC

Marking Systems ①

Component	Description	Pkg. Qty.	Catalog Number	See page A54
	Label Sheet - 1 sheet with 105 self-adhesive paper labels each, 6 x 17mm	1	CA7-FMS	
	Marking Tag Sheet - 1 sheet with 160 perforated paper labels each, 6 x 17mm. To be used with transparent cover.	1	CA7-FMP	
	Transparent Cover - To be used with Marking Tag Sheets.	100 ②	CA7-FMC	

① The labeling field of the overload relay may also be written on by hand.

② Minimum order quantity is one package of 100.

③ CMR7N-* and CT7N-RA3 will not mount on separate mount versions of CT7N.

④ Coil consumption of AC coils is 8VA.

⑤ Coil consumption of DC coils is 12 watts.

Electrical Data

B
CT7N Overloads

Main Circuits			CT7N
Rated Insulation Voltage U_i	[V]		690
Rated Impulse Strength U_{imp}			
Between main poles and between main poles & auxiliaries			6
Between auxiliary circuits	[kV]		4
Rated Operating Voltage U_e			
	IEC	[V AC]	690
		[V DC]	440
	UL, CSA	[V AC]	600
Rated Frequencies		[Hz]	50/60
Power dissipation			
	up to 0.4 A	[W]	7
CT7N-23...37	0.5...36 A	[W]	6
	38 A	[W]	12
CT7N-43...55	25...47 A	[W]	12
CT7N-85...97	47...90 A	[W]	18

Lifespan			
Stop function, operates the release contact 95-96	Mechanical	[Mil. ops.]	0.25
	Electrical, at max. contact rating	[Mil. ops.]	0.25

Trip Class	CT7N-23/37	CT7N-43/55/85/97
	IEC/EN 60947-4-1	10A
	UL	10

Trip Rating (ultimate tripping current) 125% FLA

Phase Loss Sensitivity: Trip rating at phase loss 115% FLA

Reset mode Automatic or Manual

Test release Manual release of auxiliary contacts

Trip indicator Flag visible through opening on front of relay

Approximate weight (unpackaged)	CT7N-23	CT7N-37-C20...25	CT7N-37-C30...38	CT7N-45/55	CT7N-85	CT7N-85- <u>P</u>
	.115 kg	.115 kg	.155 kg	.330 kg	.360 kg	.415 kg

Control Circuits			CT7N
Rated Operating Current I_c			
AC-15	24V	[A]	4
	240V	[A]	2
	400V	[A]	1.6
	690V	[A]	0.15
DC-13	24V	[A]	2
	110V	[A]	0.4
	220V	[A]	0.25
	440V	[A]	0.08
Thermal Current I_{th}			5
Short Circuit withstand, Fuse	IEC, gL/gG	[A]	6
Short-circuit withstand, circuit breaker ≤ 1kA prospective short-circuit-current		[A]	4
Min. contact load for reliable operation			15V, 2 mA

Approvals	UL Rating	A600/Q300
	CSA	C22.2 No. 14
	cULus	E33916, NKCR, NKCR7
	IEC/EN	6094 S7-1, -4-1, -5-1

Operating Limits		CMR7N
Maximum Command Impulse		5s
AC 50/60Hz	Pick-up [$x U_s$]	0.8...1.1
	Drop-out [$x U_s$]	
DC	Pick-up [$x U_s$]	0.7...1.25
	Drop-out [$x U_s$]	

Coil Consumption		
AC 50/60Hz	Pick-up [VA-W]	
	Hold-in [VA-W]	
DC	Pick-up [$x U_s$]	17 (24, 110, 125V) 25 (48V)
	Drop-out [$x U_s$]	17 (24, 110, 125V) 25 (48V)

Terminations	Main Circuits						Control Circuits	Remote Reset
	CT7N-23-A16...C25	CT7N-37-C20...25	CT7N-37-C30...38	CT7N-43 CT7N-55	CT7N-85 CT7N-97	CT7N-37-P-A	CT7N	CMR7N
Terminal Cross-Sections								
Terminal Type								
Terminal Screws	M4	M4	M4	M5	M6	M4	M3.5	M3.5
Fine stranded with Ferrule	[mm ²] 2x (1.5...4)	2x (1.5...4)	1x (2.5...10)	1x (2.5...16)	1x (10...35)	1x (1.5...10)	2x (1...4)	2x (1...2.5)
Solid or Course Stranded	[mm ²] 2x (1.5...6)	2x (1.5...6)	1x (2.5...16)	1x (2.5...25)	1x (10...35)	1x (1.5...16)	2x (1...4)	1x (1...2.5)
Stranded	[AWG] 2x (16...10)	2x (14...10)	1x (10...6)	1x (10...6)	1x (8...1)	1x (16...6)	2x (18...12)	1x (16...12)
Recommended Torque	[Nm] 1.5...2.2	1.5...2.2	2.5...3.5	2.5...3.5	4.5...6	1.8...2.8	1.2	1.2
	[lb-in] 13...20	13...20	22...31	22...31	40...53	16...25	10.6	10.6
Pozidrive Screwdriver	Size 2	2	2	2	~	2	2	2
Slotted Screwdriver	mm .8 x 5.5	.8 x 5.5	.8 x 5.5	.8 x 5.5	~	.8 x 5.5	.8 x 5.5	.8 x 5.5
Hexagon Socket Screw	Size ~	~	~	~	4	~	~	~

B

CT7N Overloads

General Data

	CT7N	CT7N
Type of overload relay	Bimetallic, Ambient Compensated, Phase Loss Sensitive	
Compensation temperature range	-20...+60°C (-4...+140°F)	
Type of Protection in connected state	IP00 IP2X (in a connected state)	
Finger Protection	Safe from touch by fingers and back of hand (VDE 0106, Part 100)	
Materials	RoHS compliant	
Flame Resistivity (Outer housing parts)	UL94: V0	
Environmental		
Climatic Conditions	Storage Temp. Range	-55...+80°C
	Operating Temperature Range	-20...+60°C
Vibration	Air moisture (Storage/Operating) (per IEC/EN 60068-2-6), service	5...95% rel. humidity 3g
	IEC/EN 61373 (vibration railways)	cat. 1, class B
	IEC/EN 60092-504 (vibration ships), service	0.7g all axes, 2-200 Hz
Shock	(per IEC/EN 6800-2-27), transport	30g
	IEC/EN 60068-2-27 (shock half-sinus) service (per IEC/EN 61373 (shock railways))	11 ms > 5 g cat. 1, class B
Max. Altitude		2000 m
Pollution Degree		3

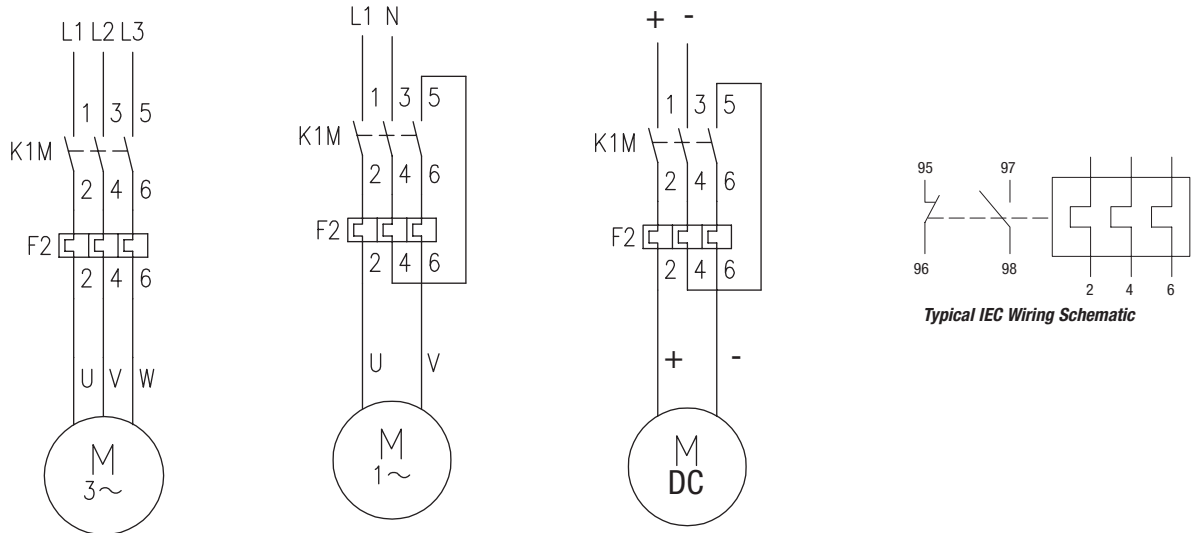
Thermal Overload Relay Maximum Fuse

For Use With...	Catalog Number	Adjustment Range (A)	Max. Back-up fuse [A]		
			gL/gG 50 kA, 690V AC IEC/EN 60947-4-1 Coordination		UL Class K5 5 kA, 600V AC
			Type 1	Type 2	UL 508
CA7-9...CA7-23	CT7N-23-A16	0.10...0.16	50	~	1
	CT7N-23-A25	0.16...0.25		~	1
	CT7N-23-A40	0.25...0.40		2	1
	CT7N-23-A50	0.35...0.50		2	2
	CT7N-23-A63	0.45...0.63		2	2
	CT7N-23-A80	0.55...0.80		4	3
	CT7N-23-B10	0.75...1.0		4	3
	CT7N-23-B13	0.90...1.3		6	4
	CT7N-23-B16	1.1...1.6		6	5
	CT7N-23-B20	1.4...2.0		10	8
	CT7N-23-B25	1.8...2.5		16	10
	CT7N-23-B32	2.3...3.2		16	12
	CT7N-23-B40	2.9...4.0		16	15
	CT7N-23-B48	3.5...4.8		16	15
	CT7N-23-B63	4.5...6.3		20	20
	CT7N-23-B75	5.5...7.5		25	25
	CT7N-23-C10	7.2...10		25	35
	CT7N-23-C12	9.0...12.5		35	50
CT7N-23-C16	11.3...16	35	60		
CT7N-23-C20	15...20	80	40	80	
CT7N-23-C21	17.5...21.5		50	80	
CT7N-23-C25	21...25		50	100	
CA7-30...CA7-37	CT7N-37-C20	15...20	80	40	80
	CT7N-37-C21	17.5...21.5		50	80
	CT7N-37-C25	21...25		50	100
	CT7N-37-C30	24.5...30	100	63	100
	CT7N-37-C36	29...36	125	63	125
	CT7N-37-C38	33...38		63	150
CA7-43...CA7-55	CT7N-43-C25	17...25	100	50	100
	CT7N-43-C36	24.5...36	125	80	125
	CT7N-43-C47	35...47	160	100	175
	CT7N-55-C60	45...60	200	125	150
CA7-60...CA7-97	CT7N-85-C47	35...47	160	100	175
	CT7N-85-C60	45...60	200	125	250 ①
	CT7N-85-C75	58...75	200	125	300 ①
	CT7N-85-C90	72...90	250	160	350 ①
	CT7N-97-C97	85...97	250	160	250 ①
Separate mounting required (Panel-mounted device)	CT7N-85-C47P	35...47	160	100	175 ②
	CT7N-85-C60P	45...60	200	125	250 ①②
	CT7N-85-C75P	58...75	200	125	300 ①②
	CT7N-85-C90P	72...90	250	160	350 ①②
	CT7N-97-C97P	85...97	250	160	250 ①②

① Max. Back-up fuse [A], UL Class K5, 10 kA, 600V AC

② Only in combination with CA7 Contactors.

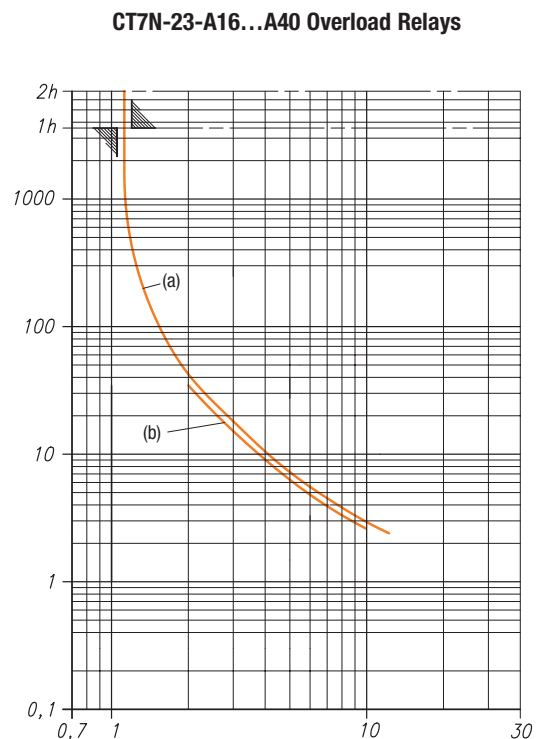
Connection Diagrams



Tripping Characteristics

These tripping characteristics refer to IEC/EN 60947-1 and are average values from cold start at an ambient temperature of 20°C. Trip time is pictured as a function of operating current. With the device at max. operating temperature, the trip time decreases to approximately 25% of the shown value.

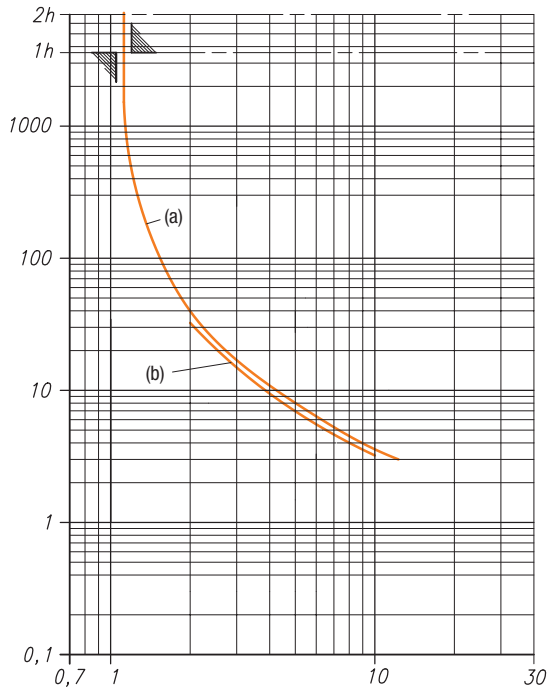
- (a) Tripping characteristics 3-poles from the cold state
- (b) Tripping characteristics 2-poles from the cold state



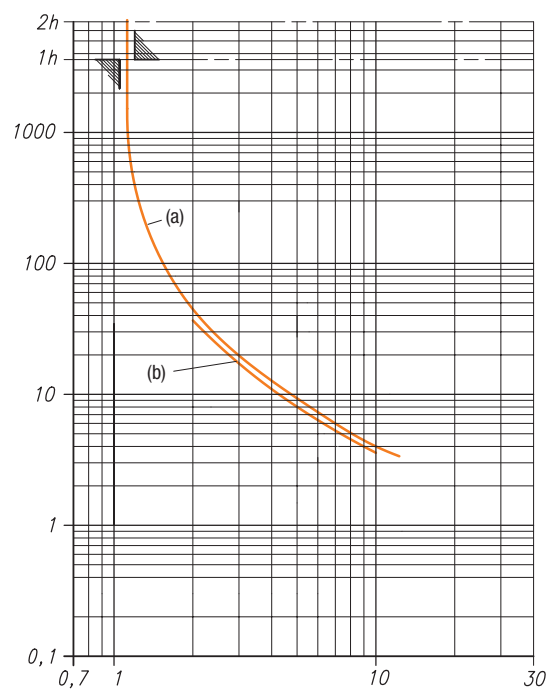
Tripping Characteristics (Continued)

B
CT7N Overloads

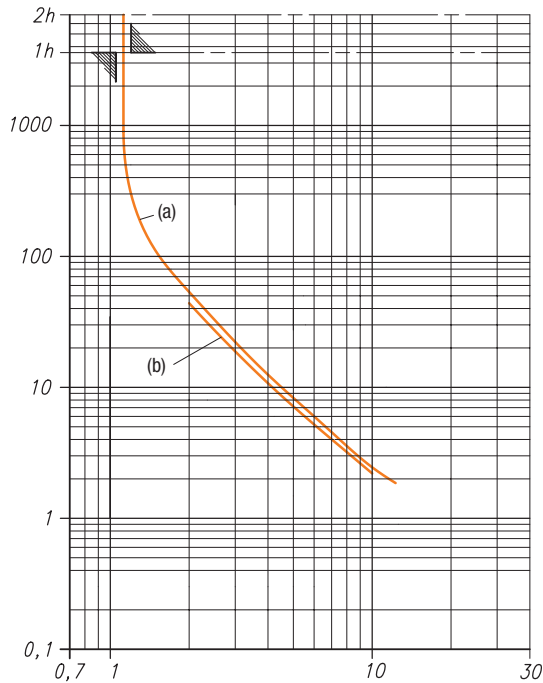
CT7N-23-A50...B40 Overload Relays



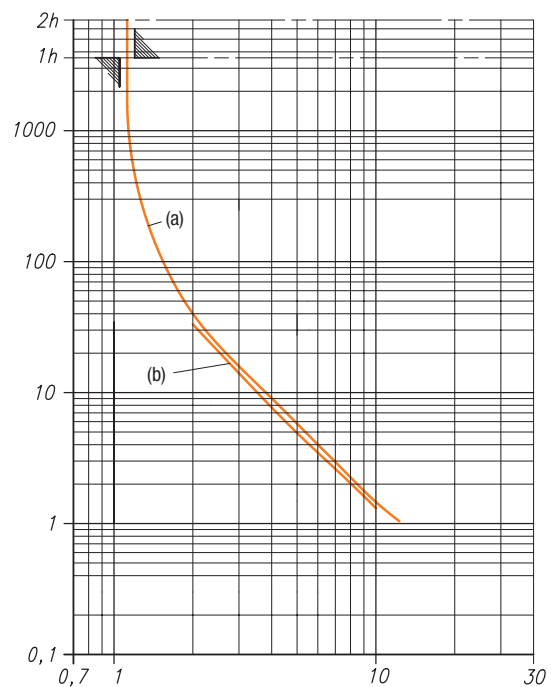
CT7N-23-B48...C25 Overload Relays



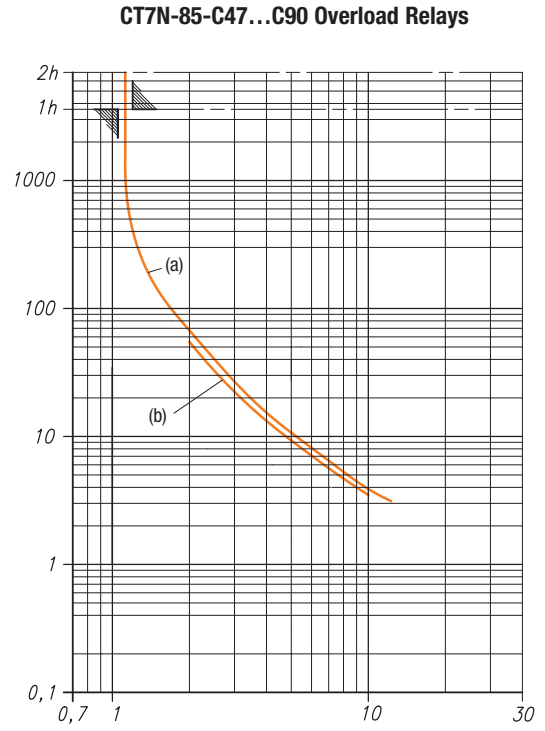
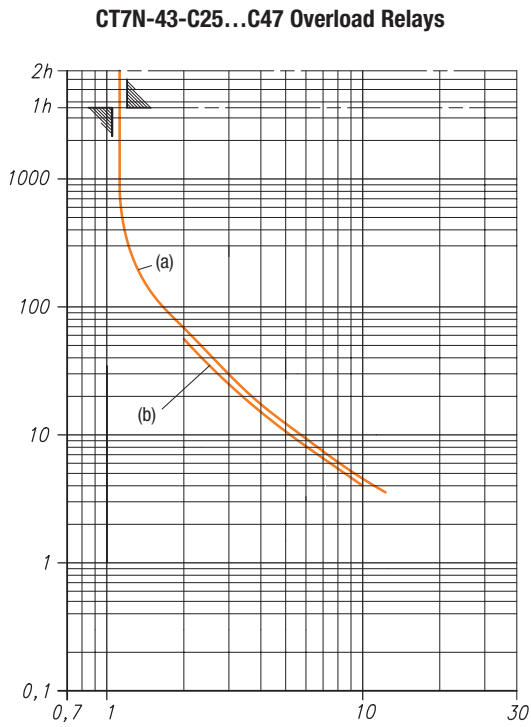
CT7N-37-C20...C25 Overload Relays



CT7N-37-C30...C38 Overload Relays

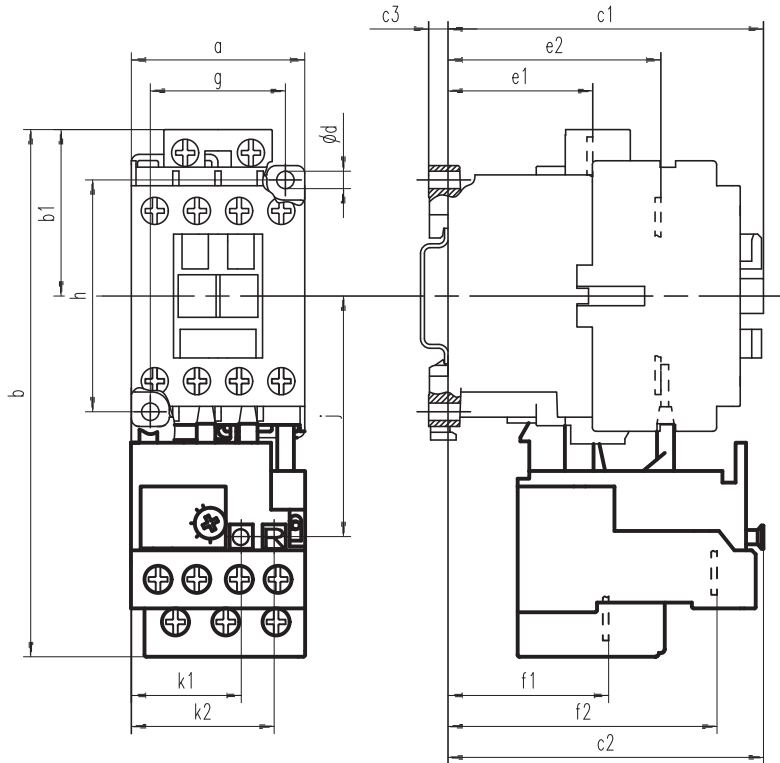


Tripping Characteristics (Continued)



Series CT7N (Mounting to CA7 Contactors)

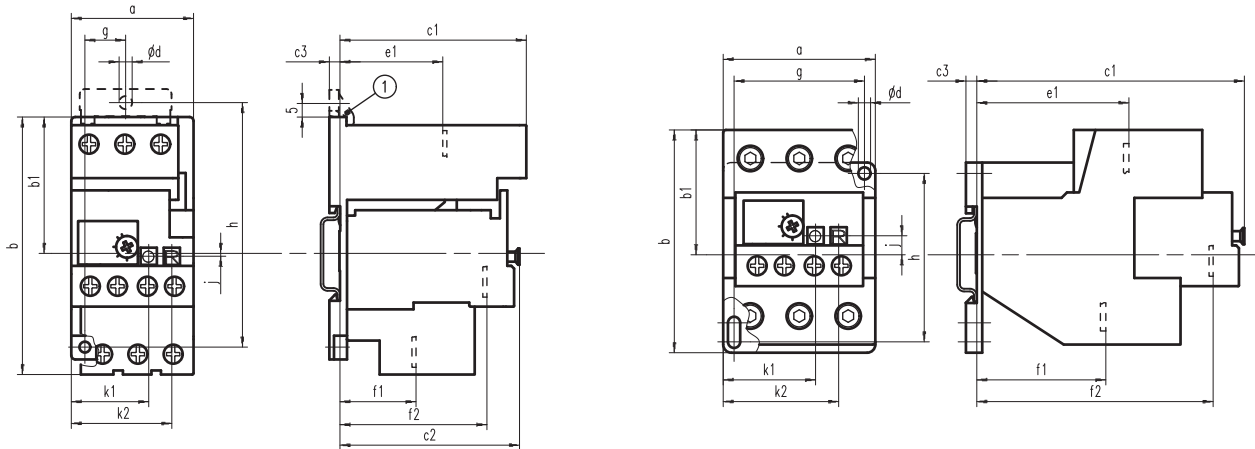
Dimensions are in millimeters (inches). Dimensions not intended for manufacturing purposes.



Contactor + Overload	a	b	b1	c1	c2	c3	ød	e1	e2	f1	f2	g	h	j	k1	k2
CA7-9...23 + CT7N-23-A16...C25	45 (1-25/32)	136.5 (5-3/8)	43 (1-11/16)	81.5 (3-13/64)	80.5 (3-11/64)	5 (13/64)	4.5 (3/16)	37.5 (1-15/32)	55 (2-11/64)	40.5 (1-19/32)	68.5 (2-45/64)	35 (1-3/8)	60 (2-23/64)	63.5 (2-1/2)	29 (1-9/64)	37.5 (1-15/32)
CA7-30...37 + CT7N-37-C20...C25	45 (1-25/32)	136.5 (5-3/8)	43 (1-11/16)	99.5 (3-28/32)	89 (3-1/2)	5 (13/64)	4.5 (3/16)	37.5 (1-15/32)	60.5 (2-3/8)	45.5 (1-51/64)	73 (2-7/8)	35 (1-3/8)	60 (2-23/64)	63.5 (2-1/2)	29 (1-9/64)	37.5 (1-15/32)
CA7-30...37 + CT7N-37-C30...C38	45 (1-25/32)	149 (5-55/64)	43 (1-11/16)	99.5 (3-28/32)	89 (3-1/2)	5 (13/64)	4.5 (3/16)	37.5 (1-15/32)	60.5 (2-3/8)	47 (1-27/32)	73 (2-7/8)	35 (1-3/8)	60 (2-23/64)	63.5 (2-1/2)	29 (1-9/64)	37.5 (1-15/32)
CA7-43 + CT7N-43-C25...C47	54 (2-1/8)	149 (5-55/64)	43 (1-11/16)	102 (4-1/64)	100 (3-15/16)	5 (13/64)	4.5 (3/16)	37.5 (1-15/32)	61 (2-13/32)	48 (1-57/64)	88 (3-15/32)	45 (1-25/32)	60 (2-23/64)	66.5 (2-5/8)	34 (1-11/32)	42.5 (1-43/64)
CA7-55 + CT7N-55-C60	54 (2-1/8)	149 (5-55/64)	43 (1-11/16)	102 (4-1/64)	100 (3-15/16)	5 (13/64)	4.5 (3/16)	37.5 (1-15/32)	61 (2-13/32)	48 (1-57/64)	88 (3-15/32)	45 (1-25/32)	60 (2-23/64)	66.5 (2-5/8)	34 (1-11/32)	42.5 (1-43/64)
CA7-60...85 + CT7N-85-C47...C90	72 (2-53/64)	191 (7-33/64)	64 (2-33/64)	120 (4-23/32)	108 (4-1/4)	5.5 (7/32)	5.4 (7/32)	45 (1-25/32)	74 (2-29/32)	55.5 (2-3/16)	80 (3-5/32)	55 (2-11/64)	100 (3-15/16)	87.5 (3-7/16)	41.5 (1-41/64)	50 (1-31/32)
CA7-97 + CT7N-97-C97	72 (2-53/64)	191 (7-33/64)	64 (2-33/64)	120 (4-23/32)	108 (4-1/4)	5.5 (7/32)	5.4 (7/32)	45 (1-25/32)	74 (2-29/32)	55.5 (2-3/16)	80 (3-5/32)	55 (2-11/64)	100 (3-15/16)	87.5 (3-7/16)	41.5 (1-41/64)	50 (1-31/32)

Series CT7N Separate Mount (+ Adaptor)

Dimensions are in millimeters (inches). Dimensions not intended for manufacturing purposes.

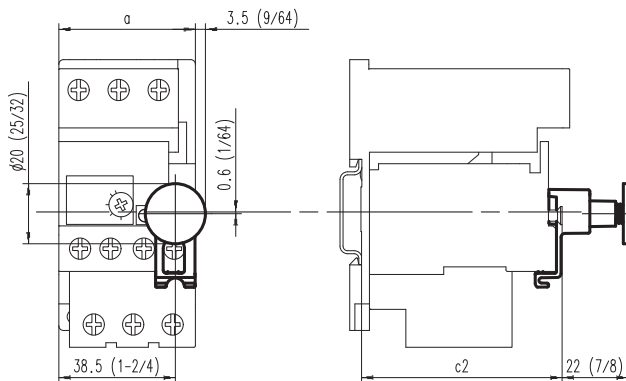


CT7N-23..37 with Panel Mount Adapter

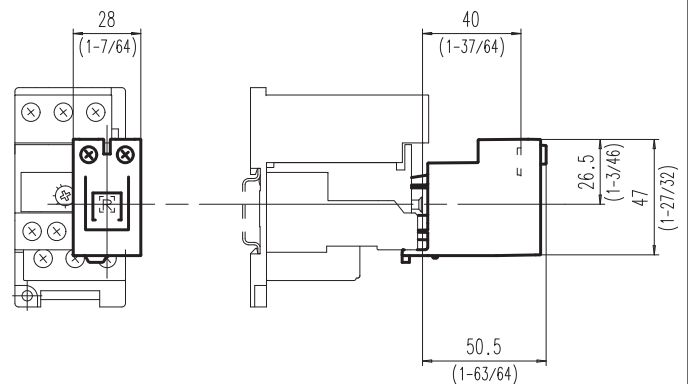
CT7N-85...97 Separate Mount

Overload + DIN Rail/Panel Mounting Adapter	a	b	b1	c1	c2	c3	ød	e1	f1	f2	g	h	k1	k2
CT7N-23-A16...C25 + CT7N-37-P-A	45 (1-25/32)	89.5 (3-17/32)	50 (1-31/32)	69 (2-23/32)	66 (2-19/32)	4 (5/32)	4.5 (3/16)	38 (1-31/64)	26 (1-1/32)	54 (2-1/8)	15 (19/32)	90 (3-35/64)	29 (1-9/64)	37.5 (1-15/32)
CT7N-37-C20...C25 + CT7N-37-P-A	45 (1-25/32)	91.5 (3-39/64)	50 (1-31/32)	69 (2-23/32)	66 (2-19/32)	4 (5/32)	4.5 (3/16)	38 (1-31/64)	28 (1-7/64)	54 (2-1/8)	15 (19/32)	90 (3-35/64)	29 (1-9/64)	37.5 (1-15/32)
CT7N-85-C47P...CT7N-97-C97P	56 (2-13/64)	82 (3-15/64)	46 (1-13/16)	99.5 (3-28/32)	~	4 (5/32)	4.5 (3/16)	56 (2-13/64)	47.5 (1-7/8)	87 (3-27/64)	~	60 (2-23/64)	41.5 (1-41/64)	50 (1-31/32)

CT7N-RA3 External Reset Adaptor



CMR7N Remote Reset Solenoid

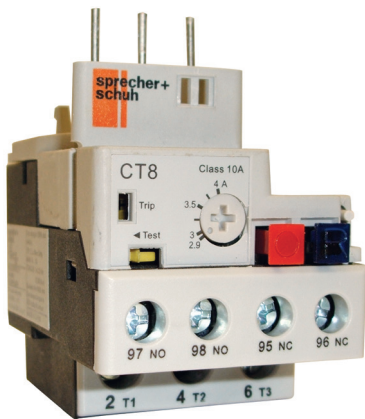


Series CT8 Thermal Overload Relays

B

CT8 Overloads

Simple and effective motor protection for applications to 12 Amps



Sprecher + Schuh provides outstanding motor protection with our CT8 Thermal Overload Relay

Sprecher + Schuh has been a leader in providing superior motor protection. The CT8 is an economical thermal overload relay yet includes proven features like “Differential tripping”, Automatic / Manual reset modes, and isolated alarm circuit contacts as standards.

Consistent and reliable protection

The consistent high quality of Sprecher + Schuh thermal overload relays is ensured by a complex current calibration procedure performed after each unit is at full operating temperature. Calibration is performed at the largest and smallest current the overload can handle. The accurate time/current characteristic curve obtained in this manner guarantees reliable motor protection every time.

Superior Class 10 characteristics

Today’s T-Frame motors have less copper and iron than the old U-Frame motors that were popular when traditional Class 20 overload relays were designed. For this reason, faster Class 10 overloads like the CT8 Series have been recognized by many motor manufacturers as the ideal type to



assure optimum protection of “T” frame motors.



Protection from single phase conditions

A unique feature not found in traditional thermal overload relays provides accelerated tripping under single phase conditions. This is accomplished with a special “differential tripping” mechanism built into CT8 (see illustration at right).

Ambient temperature compensation

All Sprecher + Schuh thermal overload relays are temperature compensated. An additional bimetallic ambient compensation strip, built into the conductor-bimetal transmission path, ensures that the tripping characteristics of the relay remain constant over an ambient temperature range of -20°C to $+60^{\circ}\text{C}$.

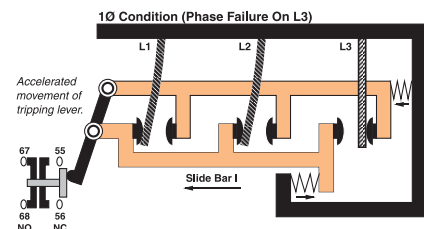
Single phase applications

CT8 Series thermal overload relays can be applied for protection of single phase AC motors. The relays have the same characteristics as shown for three phase operation. To maintain these characteristics, each element of the overload relay must carry the motor current as shown in the connection diagram on page B57.

Other standard features

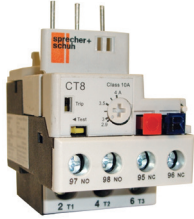
CT8 thermal overload relays feature a fail-safe “trip-free” design that prevents the device from being held closed during an overload. In addition, a selectable lever permits the user the option to choose the manual or automatic reset modes.

A separate NO signal contact is also provided on CT8 overloads which is isolated from the NC trip contact. This permits the use of a trip signal voltage different than that of the control voltage.



CT8 Thermal Overload Relays offer accelerated tripping under single phase conditions

CT8 Thermal Overload Relays - Trip Class 10, Manual or Automatic reset ①

Overload Relay	Directly Mounts to Contactor...	Adjustment Ranges [A]	Catalog Number
 <p>CT8</p>	CA8-09...12	0.10...0.16	CT8-A16
		0.16...0.25	CT8-A25
		0.25...0.4	CT8-A40
		0.35...0.5	CT8-A50
		0.45...0.63	CT8-A63
		0.55...0.80	CT8-A80
		0.75...1.0	CT8-B10
		0.90...1.3	CT8-B13
		1.10...1.6	CT8-B16
		1.4...2.0	CT8-B20
		1.8...2.5	CT8-B25
		2.3...3.2	CT8-B32
		2.9...4.0	CT8-B40
		3.5...4.8	CT8-B48
		4.5...6.3	CT8-B63
		5.5...7.5	CT8-B75
	7.2...10	CT8-C10	
CA8-12	9.0...12.5	CT8-C12	




Thermal Overload Relay Features:

- Standard motor protection for AC and DC motors
- Overload protection Trip Class 10A
- Auxiliary switch (1 NO and 1 NC)
- Phase loss sensitivity
- Manual/Auto reset button
- Test release
- Stop button
- Trip indicator

B

CT8 Overloads

Accessories

Enclosure	Description	For Use With...	Catalog Number	
	Remote Reset Solenoid - For remote resetting of the solid state overload relay	CT7N CT8	CMR7N-* <i>Replace * with coil code below</i>	See page B45
	External Reset Button - Used for manually resetting overloads mounted in enclosures	CT8 all	Use D7 Reset	See page H57
	Adaptor External Reset - Mounts on relay reset button and provides larger actuation surface.	CT7N CT8	CT7N-RA3	See page B45

CMR7N Remote Reset Coil Codes

A.C. Coil Code	Voltage Range		
	50 Hz	60 Hz	50 / 60 Hz
24Z	~	~	24V
120	110V	120V	~
240Z	~	~	220...240V

D.C. Coil Code	Voltage
24D	24VDC
110D	110VDC
125D	125VDC


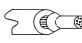

① Contactors noted will physically attach to the overload relays listed. This reference is not intended to be a guide for selecting contactors. Size overload relays using the full load current of the motor.

B
CT8 Overloads

Electrical Data

Main Circuits		
Rated Insulation Voltage U^i	[V]	690 AC
Rated Impulse Strength U_{imp}	[kV]	6 AC
Rated Operating Voltage U^e	IEC/UL [V]	690/600 AC


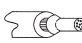

Terminations - Power

Terminal Type  M3.5		
 Fine stranded w/ ferrule	[mm ²]	2 x (1.5...4)
 Solid or coarse stranded	[mm ²]	2 x (1.5...4)
	[AWG]	2 x (16...12)
Torque Requirement	[Nm]	1.2
	[Lb-in]	10.6
Pozidrive screwdriver	Size	2
Slotted screwdriver	[mm]	1 x 6



Control Circuits

Rated Insulation Voltage U^i [V] 690 AC			
Rated Impulse Strength U_{imp} [kV] 4 AC			
Rated Operating Voltage U^e IEC/UL [V] 690/600 AC			
Rating Designation I_e A600/Q300 N.O./N.C.			
Rated Operating Current			
AC-15	24V	[A]	4
	240V	[A]	2
	400V	[A]	1.6
	600V	[A]	0.15
	24V	[A]	2
DC-13	110V	[A]	0.4
	220V	[A]	0.25
	440V	[A]	0.08
Thermal Current I_{the}	[A]	5	
Short Circuit Withstand, fuse gG	[A]	6	
Contact Reliability		15V, 2mA	

Terminations - Control

Terminal Type  M3.5		
 Fine stranded w/ ferrule	[mm ²]	2 x (1...4)
 Solid or coarse stranded	[mm ²]	2 x (1...4)
	[AWG]	2 x (18...12)
Torque Requirement	[Nm]	1.2
	[Lb-in]	10.6
Pozidrive screwdriver	Size	2
Slotted screwdriver	[mm]	1 x 6

General Data

Weight	[kg (lb)]	0.115 (.25)
Standards		IEC/EN 60947-1, -4-1, -5-1; UL508; CSA C22.2 NO. 14
Approvals		 
Temperature Compensation		Continuous (Temperature Range -5...+40°C per IEC 60947-4-1, EN60947; PTB: -20...+60°C)
Vibration Resistance (PER IEC 68-2-6)	[G]	3
Shock Resistance (PER IEC 68-2-27)	[G]	30
Type of Protection		IP2X

Environmental

Ambient Temperature	Storage	-55...+80 °C (-67...+176 °F)
	Operating	-20...+60 °C (-4...+140 °F)
Humidity	Operating	5...95% Non-condensing
	Damp Heat	per IEC 68-2-3 and IEC 68-2-30
Max. Altitude	[m]	2000
Pollution Environment		Pollution Degree 3
Protection	Type of Relay	Ambient Compensated, Time Delay, Phase Loss Sensitive
	Nature of Relay	Bimetallic Overload Relay
	Trip Rating	125% FLA
	Trip Class	IEC: 10A, UL 10
	Reset Mode	Automatic or Manual
Power dissipation	up to 0.4 A	7 W
	0.5...12.5 A	6 W

Operating Limits

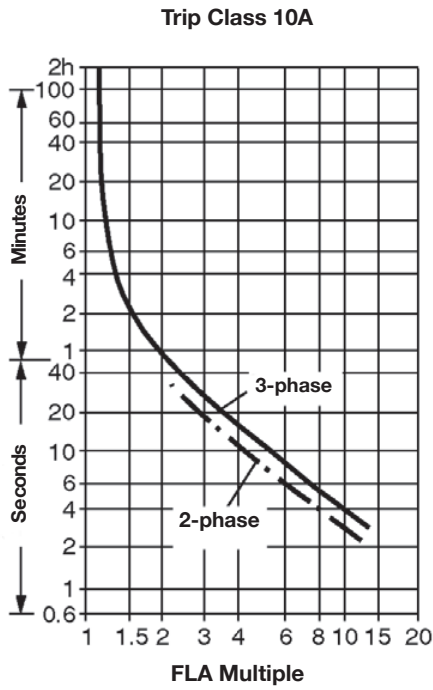
Maximum Command Impulse	CMR7N	
	5s	
AC 50/60Hz	Pick-up [$x U_s$]	0.8...1.1
	Drop-out [$x U_s$]	
DC	Pick-up [$x U_s$]	0.7...1.25
	Drop-out [$x U_s$]	

Coil Consumption

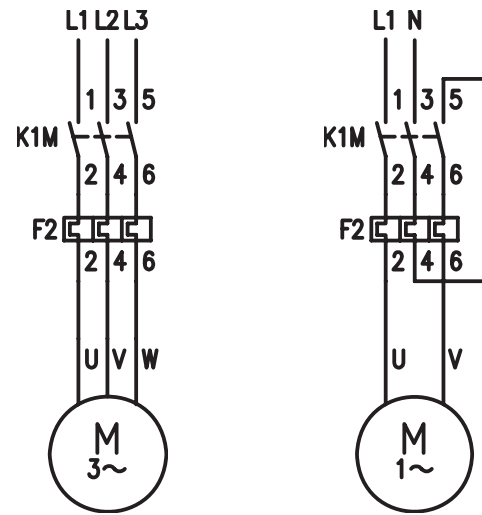
AC 50/60Hz	Pick-up [VA-W]	17 (24, 110, 125V)
	Hold-in [VA-W]	25 (48V)
DC	Pick-up [$x U_s$]	17 (24, 110, 125V)
	Drop-out [$x U_s$]	25 (48V)

Tripping Characteristics

These trip characteristics refer to IEC 60947 and are average values from cold start at an ambient temperature of 20 °C. Trip time is pictured as a function of operating current. With the device at normal operating temperature, the trip time decreases to approximately 25% of the shown value.

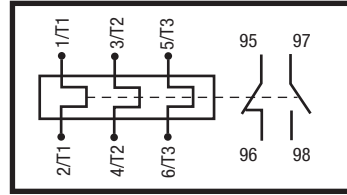
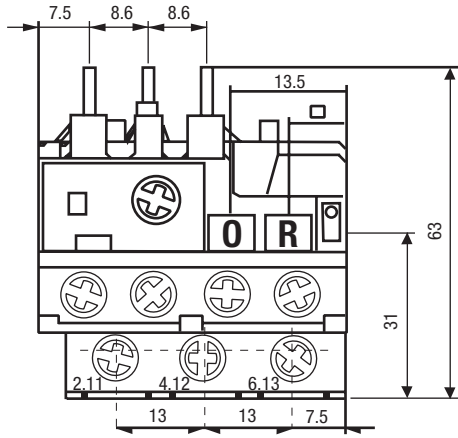


Connection Diagrams

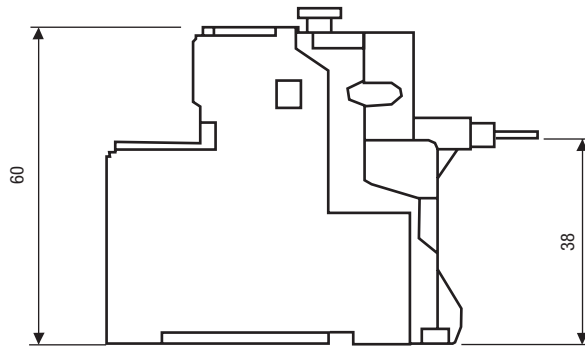
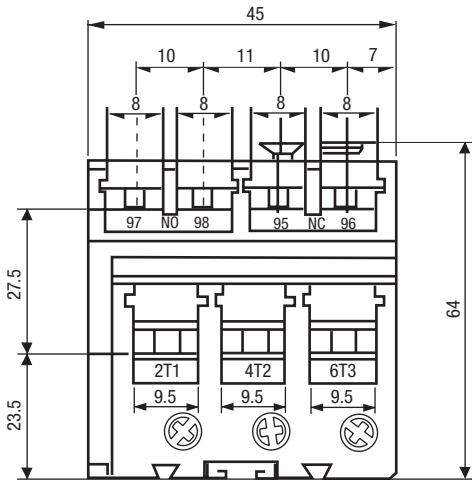


Series CT8

Dimensions are in millimeters (inches). Dimensions not intended for manufacturing purposes.



Terminal Marking



Notes

B

Overload Relays

*For Technical Information and Dimensions
please see the online catalog*

Notes

B

Overload Relays

*For Technical Information and Dimensions
please see the online catalog*

Notes

B

Overload Relays

*For Technical Information and Dimensions
please see the online catalog*

Notes

B

Overload Relays

*For Technical Information and Dimensions
please see the online catalog*

