

KWIKstarters

Preassembled or build from stock – Easy, fast, economical enclosed starters for applications up to 30HP



Most KWIKstarters are equipped with Thermal Overload protection as standard

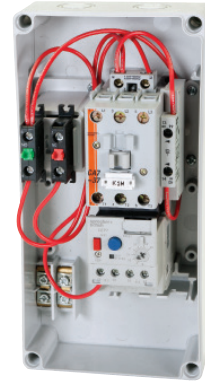
Sprecher + Schuh offers a broad selection of pre-assembled or “build-from-stock” starters housed in a high impact, non-metallic, cUL Approved, Type 1, 12, 4, 4X enclosure. Built for convenience, space savings and economy, KWIKstarters are efficiently designed to use stock CA7 contactors and CEP7 or CT7N overloads usually stocked by distributors. Contactor and overload are either pre-wired and pre-mounted onto the enclosure’s built-in DIN-rail or may be ordered as separate components. Ample knockouts and open terminals guarantee quick, no fuss wiring.

Sized for most industrial applications

KWIKstarters control motors up to 30HP @ 460V in two sizes of enclosures, measuring only 208 x 98mm (7.4” x 3.9”) or 250 x 125mm (9.85” x 4.93”) for our larger sizes. This covers over 85% of industrial motor control applications in a very compact package that can be mounted adjacent to or directly on equipment.

Thermal overload protection

KWIKstarters, sized 9 to 23 amps, are equipped with Sprecher + Schuh’s CT7N bimetallic thermal overload relay as standard. The consistent high quality of our thermal overload relays is ensured by a complex current calibration procedure performed after each unit is at full operating temperature.



KWIKstarters are also available with our advanced CEP7 Solid State Overload Relay (select appropriate overload relay code for this option)

Solid state overload options

KWIKstarters, sizes 9 to 23 amps, can also be supplied with Sprecher + Schuh’s CEP7 solid state overload relay. The CEP7 Overload is standard on larger (sizes 30 to 43 amps) and all reversing KWIKstarters. The CEP7 solid state overload relays measure motor current directly through integrated current transformers and on board electronics. The electronics provide increased accuracy and numerous other advantages over electromechanical relays. Learn more about Sprecher + Schuh overload relays in Section B of this catalog.

Build it yourself...

KWIKstarters may be assembled from stock components. Just grab a CA7 contactor and overload of your choice and snap them into the enclosure. Minimal wiring is required and assembly can be completed in minutes.



Start-Stop or Reset only

Hand-Off-Auto with Pilot Light

Emergency Stop

Multi-Function

Forward-Stop-Reverse options

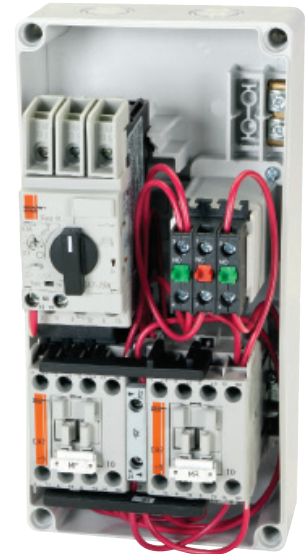
Combination KWIKstarters

CX7 KWIKstarters

Type E/F Combination Motor Controllers

KTA7 can be applied in combination with a CA7 contactor for remote control and an enclosure with matching environmentally approved thru-the-door handle disconnect mechanism to meet all requirements for a Construction Type E or F Combination Starter. This selection of individual Combination starters are smaller and are less expensive than Classic Construction Type A (Fusible), or Type C (Thermal-magnetic Molded Case Circuit Breaker), as offered in the following pages.

Sprecher + Schuh has developed a KWIKStarter version of the Combination Motor Controller which can be easily field assembled or can be purchased as a factory assembly. For details and catalog number selection on these economical combination starter alternatives turn to page F98.





Why Type E/F?

NEC430-53.C.1 defines that the short-circuit protection of a single motor branch circuit shall be provided by a set of fuses or a thermal-magnetic molded case circuit breaker. Alternatively NEC 430-53.C.6 also permits the use of a Self-protected Combination Motor Controller can be used to not only provide short-circuit protection for a single motor branch circuit but also provide a means of disconnect and overload protection. Self-protected Combination motor controllers like KTA7 can be combined with CA7, providing a coil for cover control or remote operation. This results in a Construction Type E or Type F (based on selection depending on published UL ratings) Combination starter per UL508. For details of UL, NEC and CSA application standards and rules please see our online white paper, Applying KT7 Motor Controllers.

See page F98 for
Type E/F
CX7
KWIKstarters

KWIKstarters with CT7N or CEP7 Overload Relays ①②

Cover Control/ Enclosure (KS7-COS1/COS4)	Maximum Horsepower						Total Aux. Contacts Installed		cUL Approved- Type 1/12/4/4X IP66	Dimen- sion Code
	Single Ø		Three Ø							
	115V	230V	200V	230V	460V	575V	NO	NC		
KWIKstarter with Start & Raised Stop ④⑤										
	1/2	1 1/2	~	~	~	~	1 ⑥	0	CBK7-9-*-◆-P2 CAK7-9-*-◆-P2	Q1
	~	~	2	2	5	7 1/2				
	1/2	2	~	~	~	~	1 ⑥	0	CBK7-12-*-◆-P2 CAK7-12-*-◆-P2	Q1
	~	~	3	3	7 1/2	10				
	1	3	~	~	~	~	1 ⑥	0	CBK7-16-*-◆-P2 CAK7-16-*-◆-P2	Q1
	~	~	5	5	10	15				
	2	3	~	~	~	~	1 ⑥	0	CBK7-23-*-◆-P2 CAK7-23-*-◆-P2	Q1
	~	~	5	7 1/2	15	15				
KWIKstarter with Reset										
	1/2	1 1/2	~	~	~	~	1	0	CBK7-9-*-◆-P0 CAK7-9-*-◆-P0	Q1
	~	~	2	2	5	7 1/2				
	1/2	2	~	~	~	~	1	0	CBK7-12-*-◆-P0 CAK7-12-*-◆-P0	Q1
	~	~	3	3	7 1/2	10				
	1	3	~	~	~	~	1	0	CBK7-16-*-◆-P0 CAK7-16-*-◆-P0	Q1
	~	~	5	5	10	15				
	2	3	~	~	~	~	1	0	CBK7-23-*-◆-P0 CAK7-23-*-◆-P0	Q1
	~	~	5	7 1/2	15	15				

Coil Codes ⑥

A.C. Coil Code	Voltage Range		Control Source	
	50 Hz	60 Hz	CBK7	CAK7
24Z	24V	24V	Separate	Separate
120	110V	120V	Common	Separate
220W	200V-220V	208V-240V	Common	Common
277	240V	277V	Common	~
415	400-415V	~	~	Common
480	440V	480V	~	Common
600	550V	600V	~	Common

Control Circuit Note

Common: Coils are assumed to be common with the line voltage and will be connected to the line source (L1-L2) per the table.



Separate: Coils are assumed to be from a separate source and will not be connected to the line source per the table.

Ordering Instructions

Specify Catalog Number	
Replace (*) with Coil Code Replace (◆) with O/L Relay	See this page See page C30
Important Note: KWIKstarters are only designed to accommodate CT7N Thermal Overload Relays or CEP7 Solid State Overload Relays. Select O/L Relay Code from page C30.	

- ① KWIKstarters are designed for three-wire control circuits. Two-wire (maintain) control can be accomplished by adding pushbutton latch KS7-PLA.
- ② A special design NO auxiliary contact (Cat.# KS7-PCK) is used as the holding circuit interlock, as well as, the START button interface. It is not available for other use.
- ③ Refer to page C33 for dimensional information.
- ④ STOP button also functions as RESET button. Plastic Bezel is standard.
- ⑤ Other voltages available, see Section A.
- ⑥ Use CT7N or CEP7-ED/CEP7-EE overload.

KWIKstarters with CT7N or CEP7 Overload Relays ①④⑤⑥

Cover Control/ Enclosure (KS7-COS1/COS4)	Maximum Horsepower						Total Aux. Contacts Installed		cUL Approved- Type 1/12/4/4X IP66	Dimension Code
	Single Ø		Three Ø							
	115V	230V	200V	230V	460V	575V	NO	NC		
KWIKstarter with Start & Raised Stop ④⑤										
	1/2	1 1/2	~	~	~	~	1 ②	0	CBK7-9E-*-◆-P2	Q1
	~	~	2	2	5	7 1/2			CAK7-9E-*-◆-P2	
	1/2	2	~	~	~	~	1 ②	0	CBK7-12E-*-◆-P2	Q1
	~	~	3	3	7 1/2	10			CAK7-12E-*-◆-P2	
	1	3	~	~	~	~	1 ②	0	CBK7-16E-*-◆-P2	Q1
	~	~	5	5	10	15			CAK7-16E-*-◆-P2	
	2	3	~	~	~	~	1 ②	0	CBK7-23E-*-◆-P2	Q1
	~	~	5	7 1/2	15	15			CAK7-23E-*-◆-P2	
KWIKstarter with Reset										
	1/2	1 1/2	~	~	~	~	1	0	CBK7-9E-*-◆-P0	Q1
	~	~	2	2	5	7 1/2			CAK7-9E-*-◆-P0	
	1/2	2	~	~	~	~	1	0	CBK7-12E-*-◆-P0	Q1
	~	~	3	3	7 1/2	10			CAK7-12E-*-◆-P0	
	1	3	~	~	~	~	1	0	CBK7-16E-*-◆-P0	Q1
	~	~	5	5	10	15			CAK7-16E-*-◆-P0	
	2	3	~	~	~	~	1	0	CBK7-23E-*-◆-P0	Q1
	~	~	5	7 1/2	15	15			CAK7-23E-*-◆-P0	

Coil Codes ⑤


DC Coil Codes	Voltage
12E	12V
24E	24V

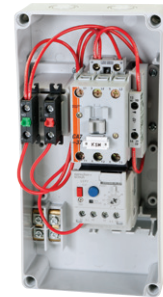
Ordering Instructions

Specify Catalog Number	
Replace (*) with Coil Code	See this page See page C30
Replace (◆) with O/L Relay	
Important Note: KWIKstarters are only designed to accommodate CT7N Thermal Overload Relays or CEP7 Solid State Overload Relays. Select O/L Relay Code from page C30.	

- ① KWIKstarters are designed for three-wire control circuits. Two-wire (maintain) control can be accomplished by adding pushbutton latch KS7-PLA.
- ② A special design NO auxiliary contact (Cat.# KS7-PCK) is used as the holding circuit interlock, as well as, the START button interface. It is not available for other use.
- ③ Refer to page C33 for dimensional information.
- ④ STOP button also functions as RESET button. Plastic Bezel is standard.
- ⑤ CA7-9E...23E with electronic coils are not interchangeable with non-electronic DC or AC coils
- ⑥ Use CT7N or CEP7-ED/CEP7-EE overload.

KWIKstarters with CEP7 Overload Relays ①

Enclosure (KS7-C2S4)	Maximum Horsepower						Total Aux. Contacts Installed		cUL Approved- Type 1/12/4/4X IP66	Dimension Code
	Single Ø		Three Ø							
	115V	230V	200V	230V	460V	575V	NO	NC		
	KWIKstarters with AC Coil									
	2	5	~	~	~	~	1	0	CBK7-30-*-ETD-P▼	Q2
	~	~	7-1/2	10	20	25			CAK7-30-*-◆-P▼	
	3	5	~	~	~	~	1	0	CBK7-37-*-ETD-P▼	Q2
	~	~	10	10	25	30			CAK7-37-*-◆-P▼	
	3	7-1/2	~	~	~	~	1	0	CBK7-43-*-ETD-P▼	Q2
	~	~	10	15	30	30			CAK7-43-*-◆-P▼	



Control Circuit Note
Common: Coils and pilot devices in the control circuit are assumed to be common with the line voltage and will be connected to the line source (L1-L2) per the table.
Separate: Coils and pilot devices in the control circuit are assumed to be from a separate source and will not be connected to the line source per the table. Pilot lights are 240 VAC maximum.

Replace ◆ with one of the following Overload Relays

For use with KWIKstarter...	Amp Range	Overload Relay Code (◆)	Catalog No. (of Overload Relay used)
3-Phase / Manual Reset / Class 10			
CAK7-30...43	1.0...5.0	D1CD	CEP7-ED1CD
	3.2...16	D1DD	CEP7-ED1DD
	5.4...27	D1ED	CEP7-ED1ED
	9...45	D1FD	CEP7-ED1FD
3-Phase / Auto or Manual Reset / Class 10, 15, 20, 30			
CAK7-30...43	1.0...5.0	ECD	CEP7-EECD
	3.2...16	EDD	CEP7-EEDD
	5.4...27	EED	CEP7-EEED
	9...45	EFD	CEP7-EEFD

Pilot Device Options (includes reset) ②③

Pushbutton Description	Replace ▼ in catalog number with
START-STOP Multi-function (shown)	3U
I-O Multi-function	4U
OFF-ON 2-Position Selector switch	6
Pilot Light Red (LED) with START-STOP Multi-function	1R3U
Pilot Light Red (LED) with I-O Multi-function	1R4U

Optional CA7 Modifications (Factory Assembled)

Description	Add to end of catalog number
Electronic Interface	-JE
Surge Suppressor RD	-C
Surge Suppressor Varistor	-V
Additional NC Contact	-L01
Additional NO Contact	-L10

Coil Codes (*) ④⑤


A.C. Coil Code	Voltage Range		Control Source	
	50 Hz	60 Hz	CBK7	CAK7
24Z	24V	24V	Separate	Separate
120	110V	120V	Common	Separate
220W	200-220V	208-240V	Common	Common
277	240V	277V	Common	~
415	400-415V	~	~	Common
480	440V	480V	~	Common
600	550V	600V	~	Common

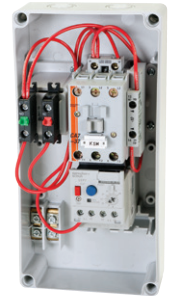
Ordering Instructions

Specify Catalog Number	See this page only
Replace (*) with Coil Code	
Replace (◆) with O/L Relay	
Replace (▼) with Pilot Device Option	

- ① Use CEP7-ED/CEP7-EE overloads only. Single-phase applications utilize CEP7S-EETD only.
- ② Plastic Bezel is standard. Pilot Device options include D7-BX_ Base Mounted contact blocks. See page H69 for more information.
- ③ Refer to page C31 for wiring diagram and C34 for dimensional information.
- ④ Other voltages available, see Section A.
- ⑤ One and only one Pilot Device option must be selected. If Pilot Light option is selected then coil voltage must be 24V, 120V or 240V AC only.
- ⑥ CPT not possible with KS7-C2S4 (Q2) enclosure.

KWIKstarters with CEP7 Overload Relays ❶

Enclosure (KS7-C2S4)	Maximum Horsepower						Total Aux. Contacts Installed		cUL Approved-Type 1/12/4/4X IP66	Dimension Code ❸
	Single Ø		Three Ø				NO	NC		
	115V	230V	200V	230V	460V	575V			Catalog Number	
	KWIKstarters with Electronic DC Coil ❹									
	2	5	~	~	~	~	1	0	CBK7-30E-*-ETD-P▼	Q2
	~	~	7-1/2	10	20	25			CAK7-30E-*-♦-P▼	
	3	5	~	~	~	~	1	0	CBK7-37E-*-ETD-P▼	Q2
	~	~	10	10	25	30			CAK7-37E-*-♦-P▼	
	3	7-1/2	~	~	~	~	1	0	CBK7-43E-*-ETD-P▼	Q2
	~	~	10	15	30	30			CAK7-43E-*-♦-P▼	



C
KWIKstarters

Replace ♦ with one of the following Overload Relays

For use with KWIKstarter...	Amp Range	Overload Relay Code (♦)	Catalog No. (of Overload Relay used)
3-Phase / Manual Reset / Class 10			
CAK7-30...43	1.0...5.0	D1CD	CEP7-ED1CD
	3.2...16	D1DD	CEP7-ED1DD
	5.4...27	D1ED	CEP7-ED1ED
	9...45	D1FD	CEP7-ED1FD
3-Phase / Auto or Manual Reset / Class 10, 15, 20, 30			
CAK7-30...43	1.0...5.0	ECD	CEP7-EECD
	3.2...16	EDD	CEP7-EEED
	5.4...27	EED	CEP7-EEED
	9...45	EFD	CEP7-EEFD

Pilot Device Options (includes reset) ❷❸

Pushbutton Description	Replace ▼ in catalog number with
START-STOP Multi-function (shown)	3U
I-O Multi-function	4U
OFF-ON 2-Position Selector switch	6
Pilot Light Red (LED) with START-STOP Multi-function	1R3U
Pilot Light Red (LED) with I-O Multi-function	1R4U

Optional CA7 Modifications (Factory Assembled)

Description	Add to end of catalog number
Electronic Interface	-JE
Surge Suppressor RD	-C
Surge Suppressor Varistor	-V
Additional NC Contact	-L01
Additional NO Contact	-L10

Coil Codes ❹❺


D.C. Coil Code	Voltage Range VDC
12E	12V
24E	24V
36E	36-48V
48E	48-72V
110E	110-125V
220E	220-250V

Ordering Instructions

Specify Catalog Number	
Replace (*) with Coil Code	See this page only
Replace (♦) with O/L Relay	
Replace (▼) with Pilot Device Option	

- ❶ Use CEP7-ED/CEP7-EE overloads only. Single-phase applications utilize CEP7S-EEED only.
- ❷ Plastic Bezel is standard. Pilot Device options include D7-BX_ Base Mounted contact blocks. See page H69 for more information.
- ❸ Refer to page C31 for wiring diagram and C34 for dimensional information.
- ❹ CA7-9E...55E with electronic coils are not interchangeable with non-electronic DC or AC coils.
- ❺ One and only one Pilot Device option must be selected.
- ❻ CPT not possible with KS7-C2S4 (Q2) enclosure.

KWIKstarters with CT7N or CEP7 Overload Relays with H-O-A and Light ①②③④⑤⑥

Cover Control/ Enclosure	Maximum Horsepower						Total Aux. Contacts Installed		cUL Approved-Type 1/12/4/4X IP66	Dimension Code ④
	Single Ø		Three Ø				NO	NC		
	115V	230V	200V	230V	460V	575V			Catalog Number	
	KWIKstarter with Reset and H-O-A Selector Switch and Light with AC Coil									
	1/2	1 1/2	~	~	~	~	1	0	CBK7-9-✱-◆-P0+1R7	Q1
	~	~	2	2	5	7 1/2			CAK7-9-✱-◆-P0+1R7	
	1/2	2	~	~	~	~	1	0	CBK7-12-✱-◆-P0+1R7	Q1
	~	~	3	3	7 1/2	10			CAK7-12-✱-◆-P0+1R7	
	1	3	~	~	~	~	1	0	CBK7-16-✱-◆-P0+1R7	Q1
	~	~	5	5	10	15			CAK7-16-✱-◆-P0+1R7	
	2	3	~	~	~	~	1	0	CBK7-23-✱-◆-P0+1R7	Q1
	~	~	5	7 1/2	15	15			CAK7-23-✱-◆-P0+1R7	
	KWIKstarter with Reset and H-O-A Selector Switch and Light with Electronic DC Coil ⑦									
	1/2	1 1/2	~	~	~	~	1	0	CBK7-9E-✱-◆-P0+1R7	Q1
	~	~	2	2	5	7 1/2			CAK7-9E-✱-◆-P0+1R7	
	1/2	2	~	~	~	~	1	0	CBK7-12E-✱-◆-P0+1R7	Q1
	~	~	3	3	7 1/2	10			CAK7-12E-✱-◆-P0+1R7	
1	3	~	~	~	~	1	0	CBK7-16E-✱-◆-P0+1R7	Q1	
~	~	5	5	10	15			CAK7-16E-✱-◆-P0+1R7		
2	3	~	~	~	~	1	0	CBK7-23E-✱-◆-P0+1R7	Q1	
~	~	5	7 1/2	15	15			CAK7-23E-✱-◆-P0+1R7		

Coil Codes ⑦

A.C. Coil Code	Voltage Range		Control Source	
	50 Hz	60 Hz	CBK7	CAK7
24Z	24V	24V	Separate	Separate
120	110V	120V	Common	Separate
220W	200-220V	208-240V	Common	Common
D.C. Coil Code	Voltage Range			
	VDC			
	12V			
	24V			

Control Circuit Note

Common: Coils and pilot devices in the control circuit are assumed to be common with the line voltage and will be connected to the line source (L1-L2) per the table.


Separate: Coils and pilot devices in the control circuit are assumed to be from a separate source and will not be connected to the line source per the table. Line Voltage not listed: (i.e.: 480 and 575 VAC) require a separate control source (i.e.: 120 VAC). D7D pilot devices are rated 300 VAC maximum.

Ordering Instructions

Specify Catalog Number	
Replace (✱) with Coil Code	See this page See page C30
Replace (◆) with O/L Relay	
Important Note: KWIKstarters are only designed to accommodate CT7N Thermal Overload Relays or CEP7 Solid State Overload Relays. Select O/L Relay Code from page C30.	

- ① This is a factory assembly. The KS7-C0S1 (Q1) enclosure does not include knock-outs for field assembly of this starter.
- ② Uses D7D-P4N_ Red Monolithic "Run" pilot light with LED bulb. Pilot light voltage to match coil voltage for 24, 120, 240 VAC control. Red "Run" Light can be changed for Green. Change +1R7 to +1G7. For example, CAK7-9-✱-◆-P0+1R7 becomes CAK7-9-✱-◆-P0+1G7.
- ③ Uses D7D-SM32x20 Monolithic 3-position selector switch for maintain control, HAND-OFF-AUTO function with legend plate.
- ④ Refer to page C32 for wiring and dimensional information. This is a clam-shell enclosure design with wires to cover controls.
- ⑤ Uses CT7N or CEP7-ED/CEP7-EE overload.
- ⑥ One NO auxilliary for customer use. There is no room for additional auxilliaries.
- ⑦ CA7-9E...23E with electronic coils are not interchangeable with non-electronic DC or AC coils.

KWIKstarters with CT7N or CEP7 Overload Relays with I-O Multifunction and E-Stop ①②③④⑤⑥

Cover Control/ Enclosure	Maximum Horsepower						Total Aux. Contacts Installed		cUL Approved-Type 1/12/4/4X IP66	Dimension Code
	Single Ø		Three Ø				NO	NC		
	115V	230V	200V	230V	460V	575V			Catalog Number	
	KWIKstarter with Reset, Multifunction I-O Pushbutton and E-Stop with AC Coil									
	1/2	1 1/2	~	~	~	~	1	0	CBK7-9-*-◆-P0+4U-9	Q1
	~	~	2	2	5	7 1/2			CAK7-9-*-◆-P0+4U-9	
	1/2	2	~	~	~	~	1	0	CBK7-12-*-◆-P0+4U-9	Q1
	~	~	3	3	7 1/2	10			CAK7-12-*-◆-P0+4U-9	
	1	3	~	~	~	~	1	0	CBK7-16-*-◆-P0+4U-9	Q1
	~	~	5	5	10	15			CAK7-16-*-◆-P0+4U-9	
	2	3	~	~	~	~	1	0	CBK7-23-*-◆-P0+4U-9	Q1
	~	~	5	7 1/2	15	15			CAK7-23-*-◆-P0+4U-9	

Coil Codes

A.C. Coil Code	Voltage Range		Control Source	
	50 Hz	60 Hz	CBK7	CAK7
24Z	24V	24V	Separate	Separate
120	110V	120V	Common	Separate
220W	200-220V	208-240V	Common	Common
277	240V	277V	Common	~
415	400-415V	~	~	Common
480	440V	480V	~	Common
600	550V	600V	~	Common

Control Circuit Note

Common: Coils and pilot devices in the control circuit are assumed to be common with the line voltage and will be connected to the line source (L1-L2) per the table.


Separate: Coils and pilot devices in the control circuit are assumed to be from a separate source and will not be connected to the line source per the table. Line Voltage not listed: (i.e.: 480 and 575 VAC) require a separate control source (i.e.: 120 VAC).

Ordering Instructions

Specify Catalog Number	
Replace (*) with Coil Code Replace (◆) with O/L Relay	See this page See page C30
Important Note: KWIKstarters are only designed to accommodate CT7N Thermal Overload Relays or CEP7 Solid State Overload Relays. Select O/L Relay Code from page C30.	

- ① This is a factory assembly. The KS7-COS1 (Q1) enclosure does not include knock-outs for field assembly of this starter.
- ② Uses D7P-U2EFFEPX11 Two-Position Multifunction push button with legend I/O.
- ③ Uses D7P-MT44PX01 Emergency Stop Push Button.
- ④ Refer to page C33 for wiring and dimensional information. This is a clam-shell enclosure design with wires to cover controls.
- ⑤ Uses CT7N or CEP7-ED/CEP7-EE overload.
- ⑥ There is no room for additional auxiliaries.

Three Phase Reversing KWIKstarters with CEP7 Overload Relays ①

Enclosure (KS7-COS4R)	Maximum Horsepower				Auxiliary Contacts per Contactor ⑦		cUL Approved-Type 1/12/4/4X IP66	Dimension Code ③
	Three Ø				NO	NC		
	200V	230V	460V	575V			Catalog Number	
	FVR 3-Phase with AC Coil							
	2	2	5	7 1/2	1	1	CAUK7-9-*-*♦-P▼	Q3
	3	3	7 1/2	10	1	1	CAUK7-12-*-*♦-P▼	Q3
	5	5	10	15	1	1	CAUK7-16-*-*♦-P▼	Q3
	5	7 1/2	15	15	1	1	CAUK7-23-*-*♦-P▼	Q3



Coil Codes (*) ④⑥

A.C. Coil Code	Voltage Range		Control Source	
	50 Hz	60 Hz	CBK7	CAK7
24Z	24V	24V	Separate	Separate
120	110V	120V	Common	Separate
220W	200-220V	208-240V	Common	Common
277	240V	277V	Common	~
415	400-415V	~	~	Common
480	440V	480V	~	Common
600	550V	600V	~	Common

Control Circuit Note

Common: Coils and pilot devices in the control circuit are assumed to be common with the line voltage and will be connected to the line source (L1-L2) per the table.

Separate: Coils and pilot devices in the control circuit are assumed to be from a separate source and will not be connected to the line source per the table. Pilot lights are 240 VAC maximum.

Pilot Device Options (includes reset) ②③

Pushbutton Description	Replace ▼ in catalog number with
FOR-STOP-REV Multi-function (shown)	3U
UP-STOP-DOWN Multi-function	4U
OPEN-STOP-CLOSE Multi-function	5U
FOR-STOP-REV 3-Position Selector switch	6
UP-OFF-DOWN 3-Position Selector switch	7
OPEN-OFF-CLOSE 3-Position Selector switch	8
Overload Alarm Pilot Light	1Y
D7-N8 22mm Hole Plug	0

Optional CA7 Modifications (Factory Assembled)

Description (supplied on each contactor)	Add to end of catalog number
Electronic Interface	-2JE
Surge Suppressor RD	-2C
Surge Suppressor Varistor	-2V

Replace ♦ with one of the following Overload Relays


For use with KWIKstarter...	Amp Range	Overload Relay Code (♦)	Catalog Number (of Overload Relay used)
3-Phase / Manual Reset / Class 10			
CAUK7-9...23 CAUK7-9E...23E	0.1...0.5	D1AB	CEP7-ED1AB
	0.2...1.0	D1BB	CEP7-ED1BB
	1.0...5.0	D1CB	CEP7-ED1CB
	3.2...16	D1DB	CEP7-ED1DB
	5.4...27	D1EB	CEP7-ED1EB
3-Phase / Auto or Manual Reset / Class 10, 15, 20, 30			
CAUK7-9...23 CAUK7-9E...23E	0.1...0.5	EAB	CEP7-EEAB
	0.2...1.0	EBB	CEP7-EEBB
	1.0...5.0	ECB	CEP7-EECB
	3.2...16	EDB	CEP7-EEDB
	5.4...27	EEB	CEP7-EEEB

Ordering Instructions

Specify Catalog Number	
Replace (*) with Coil Code	See this page only
Replace (♦) with O/L Relay	
Replace (▼) with Pilot Device Option	

- ① Use CEP7-ED/CEP7-EE overloads only.
- ② Plastic Bezel is standard. Pilot Device options include D7-BX_ Base Mounted contact blocks. See page H69 for more information.
- ③ Refer to page C32 for wiring diagram and C34 for dimensional information.
- ④ Other voltages available, see Section A.
- ⑤ One Pilot Device option must be selected. Blanks are not available. If Pilot Light option is selected then coil voltage must be 24V, 120V or 240V AC only.
- ⑥ CPT not possible with KS7-COS4R (Q3) enclosure.
- ⑦ One N.C. auxiliary contact is used for electrical interlocking. On CAUK7 reversing starters, the N.C. contact comes from the Mechanical/Electrical Interlock unit (Cat# CM7-02).

Three Phase Reversing KWIKstarters with CEP7 Overload Relays ①

Enclosure (KS7-COS4R)	Maximum Horsepower				Auxiliary Contacts per Contactor ⑦		cUL Approved- Type 1/12/4/4X IP66	Dimen- sion Code ③
	Three Ø							
	200V	230V	460V	575V	NO	NC	Catalog Number	
	FVR 3-Phase with Electronic DC Coil							
	2	2	5	7 1/2	1	1	CAUK7-9E-*-*♦-P▼	Q3
	3	3	7 1/2	10	1	1	CAUK7-12E-*-*♦-P▼	Q3
	5	5	10	15	1	1	CAUK7-16E-*-*♦-P▼	Q3
	5	7 1/2	15	15	1	1	CAUK7-23E-*-*♦-P▼	Q3



C
KWIKstarters

Coil Codes ④⑥

D.C. Coil Code	Voltage Range VDC
12E	12V
24E	24V
36E	36-48V
48E	48-72V
110E	110-125V
220E	220-250V

Pilot Device Options (includes reset) ②⑤

Pushbutton Description	Replace ▼ in catalog number with
FOR-STOP-REV Multi-function (shown)	3U
UP-STOP-DOWN Multi-function	4U
OPEN-STOP-CLOSE Multi-function	5U
FOR-STOP-REV 3-Position Selector switch	6
UP-OFF-DOWN 3-Position Selector switch	7
OPEN-OFF-CLOSE 3-Position Selector switch	8
Overload Alarm Pilot Light	1Y
D7-N8 22mm Hole Plug	0

Optional CA7 Modifications (Factory Assembled)

Description (supplied on each contactor)	Add to end of catalog number
Electronic Interface	-2JE
Surge Suppressor RD	-2C
Surge Suppressor Varistor	-2V

Ordering Instructions

Specify Catalog Number	See this page only
Replace (*) with Coil Code	
Replace (♦) with O/L Relay	
Replace (▼) with Pilot Device Option	

Replace ♦ with one of the following Overload Relays

For use with KWIKstarter...	Amp Range	Overload Relay Code (♦)	Catalog Number (of Overload Relay used)
3-Phase / Manual Reset / Class 10			
CAUK7-9...23 CAUK7-9E...23E	0.1...0.5	D1AB	CEP7-ED1AB
	0.2...1.0	D1BB	CEP7-ED1BB
	1.0...5.0	D1CB	CEP7-ED1CB
	3.2...16	D1DB	CEP7-ED1DB
	5.4...27	D1EB	CEP7-ED1EB
3-Phase / Auto or Manual Reset / Class 10, 15, 20, 30			
CAUK7-9...23 CAUK7-9E...23E	0.1...0.5	EAB	CEP7-EEAB
	0.2...1.0	EBB	CEP7-EEBB
	1.0...5.0	ECB	CEP7-EECB
	3.2...16	EDB	CEP7-EEDB
	5.4...27	EEB	CEP7-EEEB

- ① Use CEP7-ED/CEP7-EE overloads only.
- ② Plastic Bezel is standard. Pilot Device options include D7-BX_ Base Mounted contact blocks. See page H69 for more information.
- ③ Refer to page C32 for wiring diagram and C34 for dimensional information.
- ④ CA7-9E...55E with electronic coils are not interchangeable with non-electronic DC or AC coils.
- ⑤ One Pilot Device option must be selected. Blanks are not available. If Pilot Light option is selected then coil voltage must be 24V DC only.
- ⑥ CPT not possible with KS7-COS4R (Q3) enclosure.
- ⑦ One N.C. auxiliary contact is used for electrical interlocking. On CAUK7 reversing starters, the N.C. contact comes from the Mechanical/Electrical Interlock unit (Cat# CM7-02).

NEMA KWIKstarters with CT7N or CEP7 Overload Relays

Cover Control/ Enclosure (KS7-COS1/COS4)	NEMA Size	Maximum Horsepower						Total Aux. Contacts Installed		cUL Approved-Type 1/12/4/4X IP66	Dimension Code
		Single Ø		Three Ø				NO	NC		
		115V	230V	200V	230V	460V	575V			Catalog Number	
	KWIKstarter with Start & Raised Stop with AC Coil										
	00	1/3	1	~	~	~	~	1	0	CBKN7-12-*♦-P2 CAKN7-12-*♦-P2	Q1
	0	1	2	~	~	~	~	1	0	CBKN7-16-*♦-P2 CAKN7-16-*♦-P2	Q1
	00	1/3	1	~	~	~	~	1	0	CBKN7-12E-*♦-P2 CAKN7-12E-*♦-P2	Q1
	0	1	2	~	~	~	~	1	0	CBKN7-16E-*♦-P2 CAKN7-16E-*♦-P2	Q1
	KWIKstarter with Start & Raised Stop with Electronic DC Coil										
	KWIKstarter with Reset with AC Coil										
	00	1/3	1	~	~	~	~	1	0	CBKN7-12-*♦-P0 CAKN7-12-*♦-P0	Q1
	0	1	2	~	~	~	~	1	0	CBKN7-16-*♦-P0 CAKN7-16-*♦-P0	Q1
	00	1/3	1	~	~	~	~	1	0	CBKN7-12E-*♦-P0 CAKN7-12E-*♦-P0	Q1
	0	1	2	~	~	~	~	1	0	CBKN7-16E-*♦-P0 CAKN7-16E-*♦-P0	Q1
	KWIKstarter with Reset with Electronic DC Coil										

This page has moved. See new NEMA Starters Section starting at page 101.1

Coil Codes

A.C. Coil Code	Voltage Range		Source	
	50 Hz	60 Hz	CA7	CAK7
24Z	24V	24V	Separate	Separate
120	110V	120V	Common	Separate
208	208V	208V	~	Common
220W	208V-220V	208V-240V	Common	Common
240	220V	240V	Common	Common
277	240V	277V	Common	~
380	380V-400V	440V	~	Common
480	440V	480V	~	Common
600	550V	600V	~	Common
D.C. Coil Code	Voltage Range			
	VDC			
12E	12V			
24E	24V			

Control Circuit Note

Common: Coils are assumed to be common with the line voltage and will be connected to the line source (L1-L2) per the table.

Separate: Coils are assumed to be from a separate source and will not be connected to the line source per the table.

Ordering Instructions

Specify Catalog Number	
Replace (*) with Coil Code	See this page
Replace (♦) with O/L Relay	See page C30
Important Note: KWIKstarters are only designed to accommodate CT7N Thermal Overload Relays or CEP7 Solid State Overload Relays. Select O/L Relay Code from page C30.	

- ① KWIKstarters are designed for three-wire control circuits. Two-wire (maintain) control can be accomplished by adding pushbutton latch KS7-PLA.
- ② A special design NO auxiliary contact (Cat.# KS7-PCK) is used as the holding circuit interlock, as well as, the START button interface. It is not available for other use.
- ③ Refer to page C33 for dimensional information.
- ④ STOP button also functions as RESET button. Plastic Bezel is standard.
- ⑤ Other voltages available, see Section A.
- ⑥ Use CT7N or CEP7-ED/CEP7-EE overload.
- ⑦ CAN7-12E...16E with electronic coils are not interchangeable with non-electronic DC or AC coils.

NEMA KWIKstarters with CT7N or CEP7 Overload Relays with H-O-A and Light

Cover Control/ Enclosure (KS7-COS1)	NEMA Size	Maximum Horsepower						Total Aux. Contacts Installed		cUL Approved-Type 1/12/4/4X IP66	Dimension Code	
		Single Ø		Three Ø				NO	NC			
		115V	230V	200V	230V	460V	575V			Catalog Number		
	NEMA KWIKstarter with Reset and H-O-A Selector Switch and Light with AC Coil											
	00	1/3	1	~	~	~	~	1 ⑥	0	CBKN7-12-*-◆-P0+1R7		Q1
		~	~	1-1/2	1-1/2	2	2			CAKN7-12-*-◆-P0+1R7		
	0	1	2	~	~	~	~	1 ⑥	0	CBKN7-16-*-◆-P0+1R7		Q1
		~	~	3	3	5	5			CAKN7-16-*-◆-P0+1R7		
	NEMA KWIKstarter with Reset and H-O-A Selector Switch and Light with Electronic DC Coil ⑦											
	00	1/3	1	~	~	~	~	1 ⑥	0	CBKN7-12E-*-◆-P0+1R7		Q1
		~	~	1-1/2	1-1/2	2	2			CAKN7-12E-*-◆-P0+1R7		
	0	1	2	~	~	~	~	1 ⑥	0	CBKN7-16E-*-◆-P0+1R7		Q1
		~	~	3	3	5	5			CAKN7-16E-*-◆-P0+1R7		

This page has moved. See new NEMA Starters Section starting at page 101.1

Coil Codes ⑦

A.C. Coil Code	Voltage Range		Common	CAK7
	50 Hz	60 Hz		
24Z	24V	24V	Separate	Separate
120	110V	120V	Common	Separate
208	208V	208V	~	Common
240	208V-240V	208V-240V	Common	Common
24E	220V	240V	Common	Common

D.C. Coil Code	Voltage Range	
	VDC	
12E	12V	
24E	24V	

Control Circuit Note

Common: Coils and pilot devices in the control circuit are assumed to be common with the line voltage and will be connected to the line source (L1-L2) per the table.

Separate: Coils and pilot devices in the control circuit are assumed to be from a separate source and will not be connected to the line source per the table. Line Voltage not listed: (i.e.: 480 and 575 VAC) require a separate control source (i.e.: 120 VAC). D7D pilot devices are rated 300 VAC maximum.

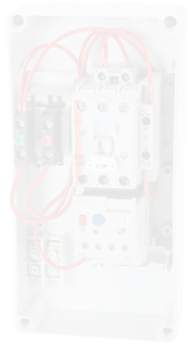
Ordering Instructions

Specify Catalog Number	
Replace (*) with Coil Code	See this page See page C30
Replace (◆) with O/L Relay	
Important Note: KWIKstarters are only designed to accommodate CT7N Thermal Overload Relays or CEP7 Solid State Overload Relays. Select O/L Relay Code from page C30.	

- ① This is a factory assembly. The KS7-COS1 (Q1) enclosure does not include knock-outs for field assembly of this starter.
- ② Uses D7D-P4N Red Monolithic "Run" pilot light with LED bulb. Pilot light voltage to match coil voltage for 24, 120, 240 VAC control. Red "Run" Light can be changed for Green. Change +1R7 to +1G7. For example, CAKN7-9-*-◆-P0+1R7 becomes CAKN7-9-*-◆-P0+1G7.
- ③ Uses D7D-SM32x20 Monolithic 3-position selector switch for maintain control, HAND-OFF-AUTO function with legend plate.
- ④ Refer to page C32 for wiring and dimensional information. This is a clam-shell enclosure design with wires to cover controls.
- ⑤ Uses CT7N or CEP7-ED/CEP7-EE overload.
- ⑥ One NO auxilliary for customer use. There is no room for additional auxilliaries.
- ⑦ CANK7-12E...16E with electronic coils are not interchangeable with non-electronic DC or AC coils.

NEMA KWIKstarters with CEP7 Overload Relays ①

Enclosure (KS7-C2S4)	NEMA Size	Maximum Horsepower						Total Aux. Contacts Installed		cUL Approved-Type 1/12/4/4X IP66	Dimension Code
		Single Ø		Three Ø				NO	NC		
		115V	230V	200V	230V	460V	575V			Catalog Number	
	NEMA KWIKstarters with AC Coil										
	1	2	3	~	~	~	~	1	0	CBKN7-37-*-ETD-P▼	Q2
		~	~	7-1/2	7-1/2	10	10			CAKN7-37-*-◆-P▼	
	2	3	7-1/2	~	~	~	~	1	0	CBKN7-43-*-ETD-P▼	Q2
		~	~	10	15	25	25			CAKN7-43-*-◆-P▼	
	NEMA KWIKstarters with Electronic DC Coil ④										
	1	3	5	~	~	~	~	1	0	CBKN7-37E-*-ETD-P▼	Q2
		~	~	10	10	25	30			CAKN7-37E-*-◆-P▼	
	2	3	7-1/2	~	~	~	~	1	0	CBKN7-43E-*-ETD-P▼	Q2
		~	~	10	15	30	30			CAKN7-43E-*-◆-P▼	



Coil Codes (*) ④⑤⑦

A.C. Coil Code	Voltage Range		Control Source		D.C. Coil Code	Voltage Range VDC
	50 Hz	60 Hz	CBK7	CAK7		
24Z	24V	24V	Separate	Separate	12E	12V
120	110V	120V	Common	Separate	24E	24V
208	~	208V	~	Common	36E	36V
220W	200V-220V	208V-240V	Common	Common	48E	48-72V
240	220V	240V	Common	Common	220E	220V
277	240V	277V	Common	Common	250E	250V
380	380V-400V	440V	~	Common		
480	440V	480V	~	Common		
600	550V	600V	~	Common		

AC Control Circuit Note

Common: Coils and pilot devices in the control circuit are assumed to be common with the line voltage and will be connected to the common terminal of the coil per the table.
Separate: Coils and pilot devices in the control circuit are assumed to be from a separate source and will not be connected to the line source per the table. Pilot lights are 240 VAC maximum.

This page has moved. See new NEMA Starters Section starting at page 101.1

Replace one of the following Overload Relays

For use with KWIKstarter...	Amp Range	Overload Relay Code (◆)	Catalog Number (of Overload Relay used)
3-Phase / Manual Reset / Class 10			
CAK7-30...43	1.0...5.0	D1CD	CEP7-ED1CD
	3.2...16	D1DD	CEP7-ED1DD
	5.4...27	D1ED	CEP7-ED1ED
	9...45	D1FD	CEP7-ED1FD
3-Phase / Auto or Manual Reset / Class 10, 15, 20, 30			
CAK7-30...43	1.0...5.0	ECD	CEP7-EECD
	3.2...16	EDD	CEP7-EEDD
	5.4...27	EED	CEP7-EEED
	9...45	EFD	CEP7-EEFD

Pilot Device Options (includes reset) ②⑥

Pushbutton Description	Replace ▼ in catalog number with
START-STOP Multi-function (shown)	3U
I-O Multi-function	4U
OFF-ON 2-Position Selector switch	6
Pilot Light Red (LED) with START-STOP Multi-function	1R3U
Pilot Light Red (LED) with I-O Multi-function	1R4U

Optional CA7 Modifications (Factory Assembled)

Description	Add to end of catalog number
Electronic Interface	-JE
Surge Suppressor RD	-C
Surge Suppressor Varistor	-V
Additional NC Contact	-L01
Additional NO Contact	-L10

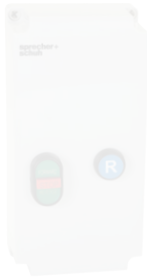
Ordering Instructions

Specify Catalog Number	
Replace (*) with Coil Code	See this page only
Replace (◆) with O/L Relay	
Replace (▼) with Pilot Device Option	

- ① Use CEP7-ED/CEP7-EE overloads only. Single-phase applications utilize CEP7S-EETD only.
- ② Plastic Bezel is standard. Pilot Device options include D7-BX_ Base Mounted contact blocks. See page H69 for more information.
- ③ Refer to page C31 for wiring diagram and C34 for dimensional information.
- ④ CAN7-37E...43E with electronic coils are not interchangeable with non-electronic DC or AC coils.

- ⑤ Other voltages available, see Section A.
- ⑥ One - and only one Pilot Device option must be selected. If Pilot Light option is selected then coil voltage must be 24V AC or DC, 120V or 240V AC only.
- ⑦ CPT not possible with KS7-C2S4 (Q2) enclosure.

Three Phase Reversing NEMA KWIKstarters with CEP7 Overload Relays ①

Enclosure (KS7-COS4R)	NEMA Size	Maximum Horsepower				Total Aux. Contacts Installed		cUL Approved-Type 1/12/4/4X IP66	Dimension Code
		Three Ø				NO	NC		
		200V	230V	460V	575V			Catalog Number	
	3-Phase FVR NEMA KWIKstarter with AC Coil								
	00	1-1/2	1-1/2	2	2	1	1	CAUKN7-12-*♦-P▼	Q3
	0	3	3	5	5	1	1	CAUKN7-16-*♦-P▼	Q3
	3-Phase FVR NEMA KWIKstarter with Electronic DC Coil								
	00	1-1/2	1-1/2	2	2	1	1	CAUKN7-12E-*♦-P▼	Q3
	0	3	3	5	5	1	1	CAUKN7-16E-*♦-P▼	Q3



KWIKstarters

Coil Codes (*) ④⑤⑦

A.C. Coil Code	Voltage Range		Control Source		D.C. Coil Code	Voltage Range VDC
	50 Hz	60 Hz	CBK7	CAK7		
24Z	24V	24V	Separate	Separate	12E	12V
120	110V	120V	Common	Separate	24E	24V
220W	200-220V	208-240V	Common	Common	48E	48V
277	240V	277V	Common	~	220E	220V
415	400-415V	~	~	Common	~	~
480	440V	480V	~	~	~	~
600	550V	600V	~	~	~	~

AC Control Circuit Note

Common: Coils and pilot devices in the control circuit are assumed to be common with the line voltage source and will be connected to the line source (L1-L2) per the table. Separate: Coils and pilot devices in the control circuit are assumed to be common from a separate source and will not be connected to the line source. Pilot lights are 240 VAC maximum.

This page has moved. See new NEMA Starters Section starting at page 101.1

Pilot Device Options (if used) ②③

Push Button Description	Replace in catalog number with
FOR-STOP-REV Multi-function (shown)	3U
UP-STOP-DOWN Multi-function	4U
OPEN-STOP-CLOSE Multi-function	5U
FOR-STOP-REV 3-Position Selector switch	6
UP-OFF-DOWN 3-Position Selector switch	7
OPEN-OFF-CLOSE 3-Position Selector switch	8
Overload Alarm Pilot Light	1Y
D7-N8 22mm Hole Plug	0

Optional CA7 Modifications (Factory Assembled)

Description (supplied on each contactor)	Add to end of catalog number
Electronic Interface	-2JE
Surge Suppressor RD	-2C
Surge Suppressor Varistor	-2V

Ordering Instructions



Specify Catalog Number	See this page only
Replace (*) with Coil Code	
Replace ♦ with O/L Relay	
Replace ▼ with Pilot Device Option	

Replace ♦ with one of the following Overload Relays



For use with KWIKstarter...	Amp Range	Overload Relay Code (♦)	Catalog Number (of Overload Relay used)	
3-Phase / Manual Reset / Class 10				
CAUKN7-12..16 CAUKN7-12E..16E	0.1...0.5	D1AB	CEP7-ED1AB	
	0.2...1.0	D1BB	CEP7-ED1BB	
	1.0...5.0	D1CB	CEP7-ED1CB	
	3.2...16	D1DB	CEP7-ED1DB	
CAUKN7-12..16 CAUKN7-12E..16E	5.4...27	D1EB	CEP7-ED1EB	
	3-Phase / Auto or Manual Reset / Class 10, 15, 20, 30			
	0.1...0.5	EAB	CEP7-EEAB	
	0.2...1.0	EBB	CEP7-EEBB	
CAUKN7-12..16 CAUKN7-12E..16E	1.0...5.0	ECB	CEP7-EECB	
	3.2...16	EDB	CEP7-EEDB	
	5.4...27	EEB	CEP7-EEEB	

- ① Use CEP7-ED/CEP7-EE overloads only.
- ② Plastic Bezel is standard. Pilot Device options include D7-BX_ Base Mounted contact blocks. See page H69 for more information.
- ③ Refer to page C32 for wiring diagram and C34 for dimensional information.
- ④ CAN7-12E...16E with electronic coils are not interchangeable with non-electronic DC or AC coils.
- ⑤ Other voltages available, see Section A.
- ⑥ One Pilot Device option must be selected. Blanks are not available. If Pilot Light option is selected then Pilot Light must match Coil Voltage 24V AC or DC, 120V or 240V AC only.
- ⑦ CPT not possible with KS7-COS4R (Q3) enclosure.
- ⑧ One N.C. auxiliary contact is used for electrical interlocking. On CAUKN7 reversing starters, the N.C. contact comes from the Mechanical/Electrical Interlock unit (Cat# CM7-02).

KWIKstarter 9...23A Enclosures with CT7N or CEP7 Overload Relays ①②

Component	Description	For Use With		Environmental Approvals	Catalog Number
		Contactors	Overload		
	Flush Green START / Extended Red STOP - Mechanical interface auxiliary contact (KS7-PCK) included in enclosure.	CA7-9...23	CT7N CEP7-1__B ③	cUL Type 1/12/4/4x IEC IP66	KS7-COS4
	Blue RESET Only	CA7-9...23	CT7N CEP7-1__B ③	cUL Type 1/12/4/4x IEC IP66	KS7-COS1

KWIKstarter Enclosures for use with CA7 Contactors and Overload Relays ①⑤

Component	Description	For Use With		Environmental Approvals	Catalog Number
		Contactors	Overload		
	Enclosure for KWIKstarter ③ CAK7/CBK7-30...43 CAK7/CBK7-30E...43E	CA7-30...43 CA7-30E...43E	CEP7-1__D ⑥	cUL Type 1/12/4/4x IEC IP66	KS7-C2S4
	Enclosure for Reversing KWIKstarter ④ CAUK7-9...23 CAUK7-9E...23E	CAU7-9...23 CAU7-9E...23E	CEP7-1__B ③	cUL Type 1/12/4/4x IEC IP66	KS7-COS4R

① KWIKstarters are only designed to accommodate CA7-9...43 contactors with CT7N Thermal Overload Relays or CEP7 Solid State Overload Relays. If ordering components, select contactor from Section A and overload relay from Section B in this catalog.

② KS7-COS4 and KS7-COS1 may be used with either CEP7 or CT7N (field interchangeable).


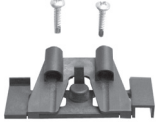


③ KWIKstarter enclosure KS7-C2S4 are designed to fit CA7-30(E)...43(E) contactors with CEP7 Overload Relays. CT7N Thermal Overloads can not be substituted.

④ KWIKstarter enclosure KS7-COS4R are designed to fit CAU7-9(E)...23(E) reversing contactors with CEP7 Overload Relays. CT7N Thermal Overloads can not be substituted.




⑤ KS7-C2S4 and KS7-COS4R are supplied with two 22mm holes for Pilot Devices. A Reset is required and one additional pilot device kit from page C29 must be selected. Use of a CPT is not possible.

⑥ KS7-C_ Series B enclosures are compatible to 3rd gen CEP7-1. KS7-C_ Series A enclosures (obsolete) are compatible to 2nd gen CEP7-ED1/EE.

KWIKstarter Components with CT7N or CEP7 Overload Relays (for use with KS7-COS1/KS7-COS4)

Component	Description	For Use With...	Catalog Number
	Start - Contact kit Specially designed NO auxiliary; mechanically interfaces with the START button. Mounts on right side. A KS7-PCK is included in every KS7-COS4 enclosure.	KS7-COS4 (Replacement Part)	KS7-PCK
	Pushbutton Latch - For maintain contact control (2-wire control)	KS7-COS4	KS7-PLA
	Neutral Terminal	KS7-COS1 KS7-COS4	KS7-PNT
	Grounding Kit (for use with metal conduit)	All KWIKstarter enclosures	KS7-GR1

KWIKstarter Pilot Device Kits (for use with KS7-C2S4/KS7-COS4R) ❶

Kits	Description	For Use With Enclosure...	Contact Blocks included		Catalog Number
			NO	NC	
	Multi-Function Pushbutton kit Non-illuminated START-STOP I-O	KS7-C2S4 Type 1, 12, 4, 4X	1	1	KS7-P3U KS7-P4U
	FOR-STOP-REV UP-STOP-DOWN OPEN-STOP-CLOSE	KS7-COS4R Type 1, 12, 4, 4X	2	1	KS7-P3U-REV KS7-P4U-REV KS7-P5U-REV
	Selector switch kits Non-illuminated, includes legend plate ON-OFF 2-Position	KS7-C2S4 Type 1, 12, 4, 4X	1	-	KS7-P6
	FOR-OFF-REV 3-Position UP-OFF-DOWN 3-Position OPEN-OFF-CLOSE 3-Position	KS7-COS4R Type 1, 12, 4, 4X	2	-	KS7-P6-REV KS7-P7-REV KS7-P8-REV
	Reset Pushbutton, Blue Plastic push button, flush operator with Blue Cap and R text	KS7-C2S4 KS7-COS4	Black Plastic with Blue Cap and White "R"		D7P-F611 ❷

❶ Plastic bezel is standard. Pilot Device Kits include D7-BX_ Base Mounted contact blocks. See page H69 for more information.

❷ D7P-R611 and CEP7-ERA can not be used with KS7-C2S4 or KS7-COS4R. See Section H for more information.

KWIKstarters with CEP7 Solid State Overload Relay
3-Phase Application ②③

For use with KWIKstarter...	Amp Range	Overload Relay Code (◆)	Catalog Number (of Overload Relay used)
3-Phase / Manual Reset / Class 10			
CAK7-9...CAK7-23	0.1...0.5	D1AB	CEP7-ED1AB
	0.2...1.0	D1BB	CEP7-ED1BB
	1.0...5.0	D1CB	CEP7-ED1CB
	3.2...16	D1DB	CEP7-ED1DB
	5.4...27	D1EB	CEP7-ED1EB
3-Phase / Selectable Function and Class			
CAK7-9...CAK7-23	0.1...0.5	EAB	CEP7-EEAB
	0.2...1.0	EBB	CEP7-EEBB
	1.0...5.0	ECB	CEP7-EECB
	3.2...16	EDB	CEP7-EEDB
	5.4...27	EEB	CEP7-EEEB

KWIKstarters with CEP7 Solid State Overload Relay
1-Phase Application ②③

For use with KWIKstarter...	Amp Range	Overload Relay Code (◆)	Catalog Number (of Overload Relay used)
1-Phase / Selectable Function and Class			
CBK7-9...CBK7-23	1.0-5.0	EPB	CEP7S-EEPB
	3.2-16	ERB	CEP7S-EERB
	5.4-27	ESB	CEP7S-EESB

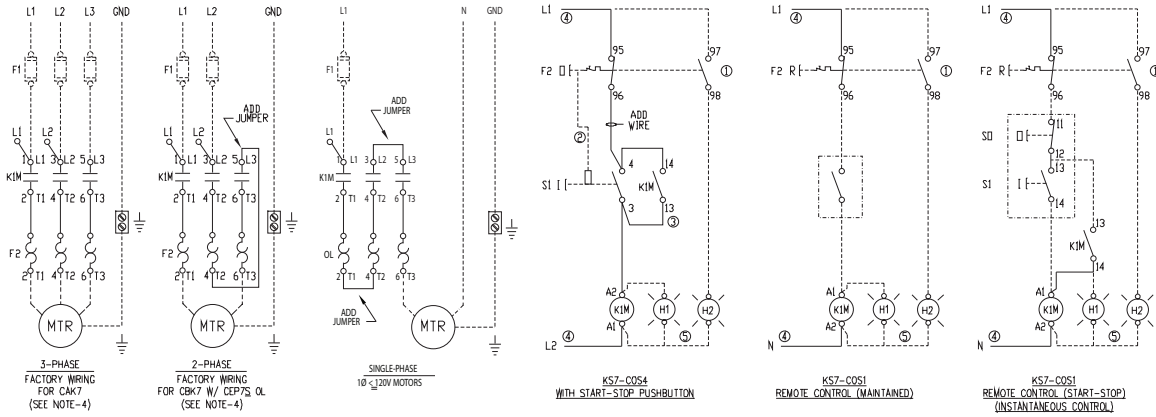
KWIKstarters with CT7N Bimetallic
Overload Relays ①

For use with Kwikstarter...	Amp Range	Overload Relay Code (◆)	Catalog Number (of Overload Relay used)
CAK7-9...CAK7-23 and CBK7-9...CBK7-23 Frame "A"	0.10...0.16	AA16	CT7N-23-A16
	0.16...0.25	AA25	CT7N-23-A25
	0.25...0.40	AA40	CT7N-23-A40
	0.35...0.50	AA50	CT7N-23-A50
	0.45...0.63	AA63	CT7N-23-A63
	0.55...0.80	AA80	CT7N-23-A80
	0.75...1.0	AB10	CT7N-23-B10
	0.90...1.3	AB13	CT7N-23-B13
	1.1...1.6	AB16	CT7N-23-B16
	1.4...2.0	AB20	CT7N-23-B20
	1.8...2.5	AB25	CT7N-23-B25
	2.3...3.2	AB32	CT7N-23-B32
	2.9...4.0	AB40	CT7N-23-B40
	3.5...4.8	AB48	CT7N-23-B48
	4.5...6.3	AB63	CT7N-23-B63
	5.5...7.5	AB75	CT7N-23-B75
	7.2...10	AC10	CT7N-23-C10
	9.0...12.5	AC12	CT7N-23-C12
	11.3...16	AC16	CT7N-23-C16
	15...20	AC20	CT7N-23-C20
17.5...21.5	AC21	CT7N-23-C21	
21...25	AC25	CT7N-23-C25	

- ① If using CT7N in single phase application with CBK7-9...23, wire per drawing on page C31.
- ② CEP7 Overloads are available for use in KWIKstarters if the premium features are required (see Section B).
- ③ 3-phase CEP7-ED or CEP7-EE units are only designed for 3□ applications. Single phase CEP7S units are only designed for 1□ applications. If using CEP7S, wire per drawing on page C31.

KWIKstarter (in enclosure KS7-COS1/COS4)

CUSTOMER MUST PROVIDE PROPER BRANCH CIRCUIT PROTECTION (F1)
SEE THE APPLICATION INSTRUCTION SHEET - COMPONENT SELECTION TABLES
FOR MAX. FUSE SIZE & CLASS AND APPLICABLE SHORT CIRCUIT RATING
(USE 75°C COPPER WIRE ONLY)

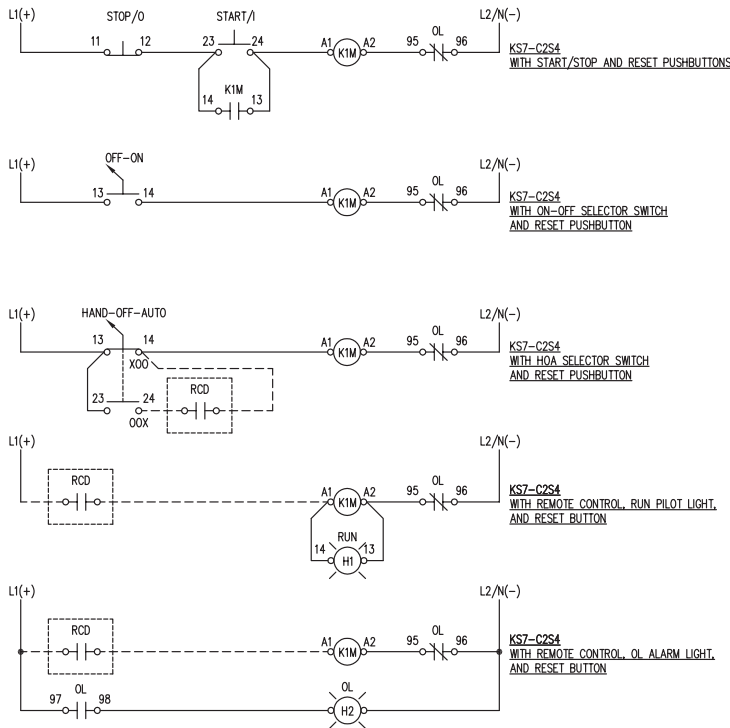


THIS DRAWING IS FOR THE FOLLOWING ENCLOSURES:
KS7-COS4 with integrated START-STOP push buttons
KS7-COS1 with integrated RESET push button

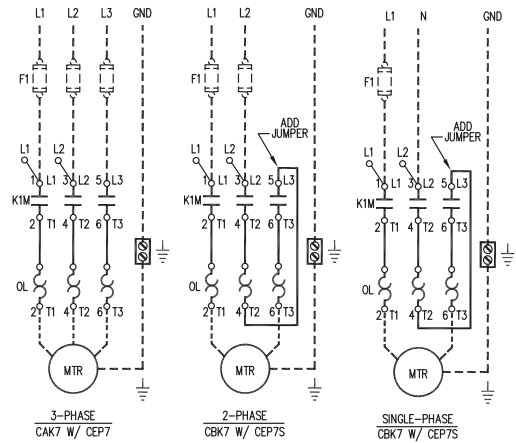
NOTES:

- 1) MECHANICAL LATCH KS7-PLA FOR MAINTAINED CONTROL (OPTIONAL).
- 2) START CONTACT KIT KS7-PCK (INCLUDED) MOUNTS ON THE RIGHT SIDE WITH MOLDED PRE-FORMED JUMPERS.
- 3) DO NOT WIRE CONTROLS CIRCUIT TO LINE SIDE OF CONTACTOR WHEN COIL VOLTAGE IS 120V OR LESS. (FACTORY WIRING STANDARD)
- 4) OPTIONAL PILOT LIGHTS.

KWIKstarter (in enclosure KS7-C2S4)



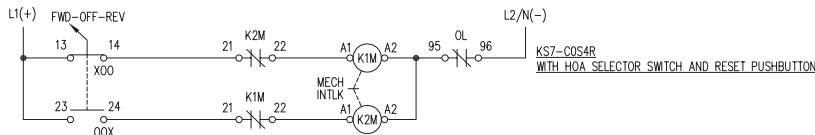
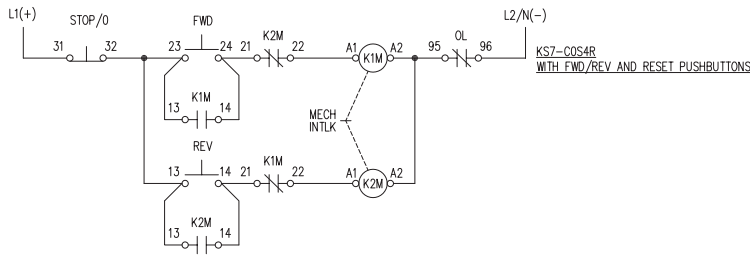
CUSTOMER WILL PROVIDE BRANCH CIRCUIT PROTECTION (F1)
SEE THE APPLICATION INSTRUCTION SHEET - COMPONENT SELECTION TABLES
FOR MAX. FUSE SIZE, CLASS, AND APPLICABLE SHORT CIRCUIT RATING
(USE 75°C COPPER WIRE ONLY)



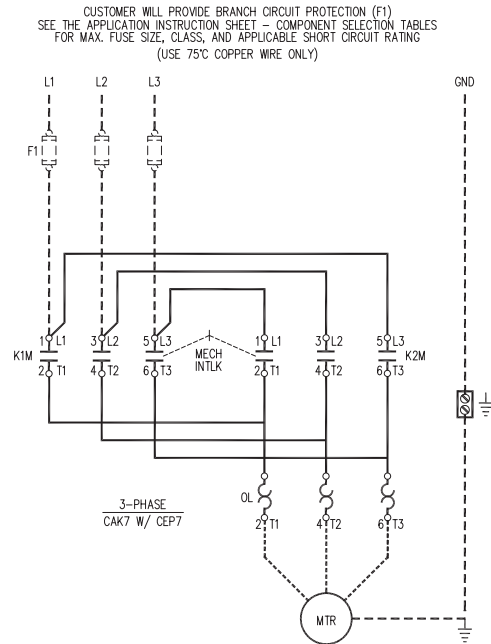
NOTES:

1. DO NOT CONNECT A1-A2 TO L1-L2 UNLESS COIL VOLTAGE MATCHES LINE VOLTAGE
2. PILOT LIGHTS POSSIBLE FOR REMOTE OR OVERLOAD ALARM IF NO START/STOP CONTROL DEVICES IN COVER
3. RCD = REMOTE CONTROL DEVICE (BY OTHERS)

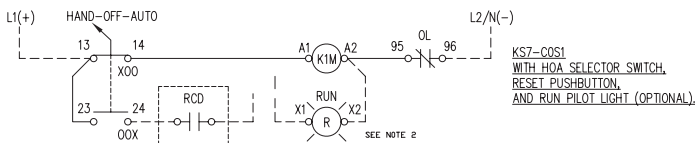
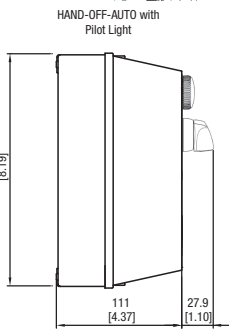
Reversing KWIKstarter (in enclosure KS7-C0S4R)



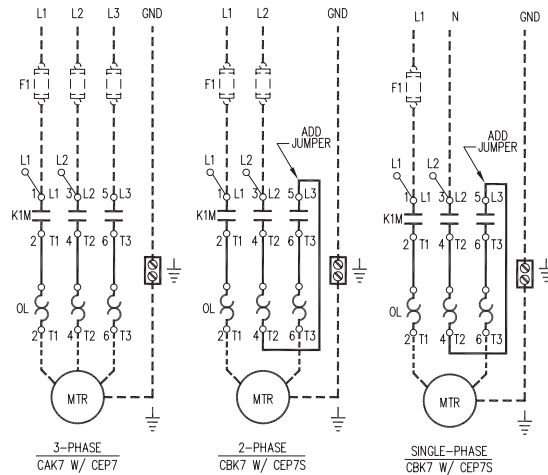
NOTE:
DO NOT CONNECT A1-A2 TO L1-L2 UNLESS COIL VOLTAGE MATCHES LINE VOLTAGE



KWIKstarter (in enclosure KS7-C0S1) with HOA option



CUSTOMER WILL PROVIDE BRANCH CIRCUIT PROTECTION (F1)
SEE THE APPLICATION INSTRUCTION SHEET - COMPONENT SELECTION TABLES
FOR MAX. FUSE SIZE, CLASS, AND APPLICABLE SHORT CIRCUIT RATING
(USE 75°C COPPER WIRE ONLY)



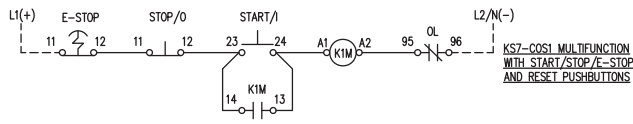
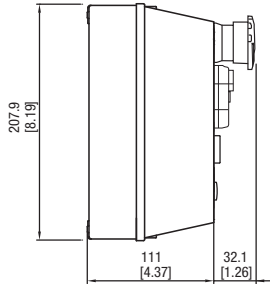
A.C. Coil Code	Voltage Range		Control Source	
	50 Hz	60 Hz	CBK7	CAK7
24Z	24V	24V	Separate	Separate
120	110V	120V	Common	Separate
208	~	208V	~	Common
220W	200V-220V	208V-240V	Common	Common
240	220V	240V	Common	Common
D.C. Coil Code	Voltage Range		Control Source	
	VDC		CBK7	CAK7
12E	12V		Separate	Separate
24E	24V		Separate	Separate

NOTES:

- RCD = REMOTE CONTROL DEVICE (BY OTHERS). WIRE RCD TO TERMINAL 24 ON THE H-O-A SEL. SW. AND TERMINAL A1 ON THE CONTACTOR.
- DASHED LINES ----- INDICATE WIRING PROVIDED IN THE FIELD.

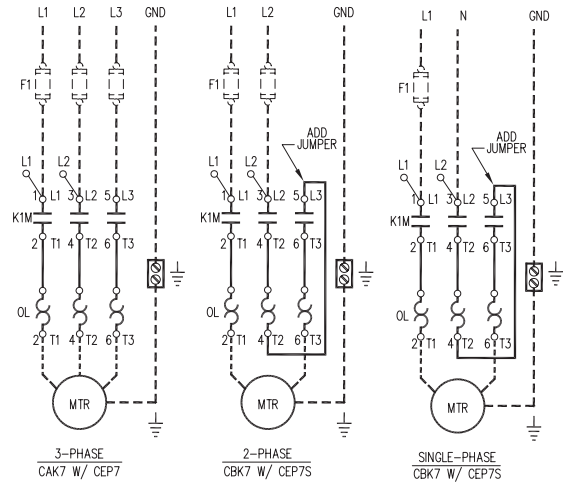
KWIKstarter (in enclosure KS7-COS1) with Emergency Stop option

EMERGENCY STOP with MULTI-FUNCTION



A.C. Coil Code	Voltage Range		Control Source	
	50 Hz	60 Hz	CBK7	CAK7
24Z	24V	24V	Separate	Separate
120	110V	120V	Common	Separate
208	~	208V	~	Common
220W	200V-220V	208V-240V	Common	Common
240	220V	240V	Common	Common

CUSTOMER WILL PROVIDE BRANCH CIRCUIT PROTECTION (F1)
SEE THE APPLICATION INSTRUCTION SHEET - COMPONENT SELECTION TABLES
FOR MAX. FUSE SIZE, CLASS, AND APPLICABLE SHORT CIRCUIT RATING
(USE 75°C COPPER WIRE ONLY)



KWIKstarter Enclosure KS7-COS1/COS4 (Dimension Code Q1)

Dimensions are in millimeters (inches). Dimensions not intended for manufacturing purposes.

