

Choices in Overload Relays



CT7N/CT8
Thermal Bimetallic

Key Features:

- Ambient temperature compensation
- Rated for DC and variable frequent drive applications up to 400 Hz
- Optional remote reset solenoid and external reset accessories



CEP7
Solid State

Key Features:

- Current measurement based protection
- Low energy consumption
- Side-mount expansion modules provide adjustable levels of protection and communication



CEP9
Advanced Electronic

Key Features:

- Provides critical motor protection functions
- Communication and diagnostics provide detailed logs and control from relay to motor
- Can simplify control architecture

Product Feature Overview

Relay Type	CT7N/CT8	CEP7-1	CEP9 (Parameter)	CEP9 (Networked)
Protection Features				
Overload	•	•	•	•
Phase Loss		•	•	•
Ground Fault		•	•	•
Current Imbalance	•		•	•
Add-on Protection		•	•	•
Over/ Under Voltage			•	•
Voltage Imbalance			•	•
Over/ Under Power			•	•
Diagnostics Features				
% Full Load Amperes (FLA)		•	•	•
% Thermal Capacity Utilization (TCU)		•	•	•
Voltage			•	•
Power			•	•
Energy			•	•
Integration Features				
DeviceLogix™			•	•
Logix Controller				•
Connected Components Workbench™ Software			•	
EtherNet/IP™				Embedded (dual-port)
Local Programming Method			USB Type B ⓘ	EtherNet/IP or DeviceNet ⓘ

ⓘ You can also configure CEP9 devices using an optional expansion operator diagnostic station.

Protecting your investment is critical to keeping your operations up and running. Prevent unwanted down time by choosing the right protection for your motor controls. Sprecher + Schuh is proud to offer several options in motor protection. From simple single purpose devices, to varying degrees of selection options and complete factory automation and communication, selecting the right protection is vital to ensuring motor life and longevity. Sprecher + Schuh is here to help protect your investment.

CEP7 Solid State Overload Relays

The Third Generation



Advanced solid state motor protection

The CEP7-1__ relay provides the following features:

- Electronic overload detection
- Simple configuration
- Selectable trip class
- Adjustable trip current
- Integration with CA7/CAN7 contactors
- Test and reset buttons
- Auto (CEP7-1EF only)/manual reset selection
- RMS current sensing (50/60 Hz)
- External current transformer configurations
- Single- and Three-phase compatibility within the same unit
- Direct and pass-through mounting options

The CEP7-1__ relay lets you connect accessory modules, some of which interface through the front-mounted communication port. Accessories include:

- Ground fault/jam protection module (CEP7-1EF only)
- Remote reset solenoid
- Anti-tamper shield
- Electronic remote indication display CEP7-ERID, with or without reset (CEP7-1EF units only)
- External reset adapter
- DIN rail/Panel adapter

Overload Performance

- **Current Measurement-based Protection** Current measurement-based overload protection more accurately models a motor's thermal condition. Ambient temperature over the specified temperature operating range does not impact the performance of current measurement-based designs.
- **Electronic Design** Thermal modeling is performed electronically with precision solid-state components, using a state-of-the-art microprocessor. The microprocessor continually processes motor current data to accurately maintain the time-current status of the motor thermal capacity utilization (%TCU) value.
- **Thermal Memory** A thermal memory design lets the CEP7-1 Overload Relay model the heating and cooling effects of motor on and off periods. This achieves accurate protection for both hot and cold operation.
- **Phase Loss Protection** Phase loss detection is incorporated into the CEP7-1 Overload Relay, allowing it to respond quickly to this type of condition.



Direct Mount Mechanical attachment



100A



100A



100A



800A

Versatile and Expandable

- **Adjustable Trip Class and Reset Modes** The Basic CEP7-1EE relay offers Trip Class 10 and 20 with manual reset only. The Advanced CEP7-1EF relay offers Trip Class 10, 15, 20, and 30 with a selectable dial, in manual or automatic reset.
- **Pass-through Design** The CEP7-1 relay Pass-through option consumes less panel space than a standard CEP7-1 relay that is configured with a panel-mount adapter. The pass-through design provides integrated DIN Rail mount and panel mounting holes. The CEP7-1 Pass-through Electronic Overload Relay provides the same protection and expandable accessory capabilities as a standard CEP7-1 relay.
- **External CTs** For motor overload protection applications above 100A in current sensing capability, the CEP7-1EF_Z relay offers functionality with external CT configurations up to 800A maximum capacity.

Wide current adjustment range

Thermal or bimetallic overload relays typically have a small current adjustment range of 1.5:1 meaning that the maximum setting is generally 1.5 times the lower setting. Sprecher + Schuh's CEP7-1 overload relay is capable of adjustment to a maximum of five times the minimum set current, which dramatically reduces the number of units required on-hand to cover the full range of current settings up to 100 amperes.

Selectable tripping class

Both the CEP7-1 models have standard Class 10 tripping characteristics. The CEP7-1EE Basic model is equipped with dip switches that allow the select ability between Class 10 and Class 20, while the CEP7-1EF Advanced model possesses a selection dial on the face of the overload for trip classes 10/15/20 and 30. This selection feature allows you to closely match the Trip Class with the start-up time of the motor.

Adaptive Protection

Remote Reset Capability

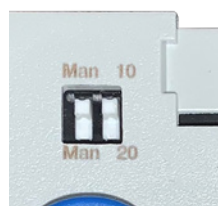
The CEP7-1EF relay offers optional remote reset capabilities through the use of an electro-mechanical reset solenoid or an electronic remote reset accessory module.

Ground Fault and Jam Protection

The CEP7-1EF relay offers optional ground fault and jam protection through the use of an accessory module. The ground fault current detection level is configurable via a mechanical rotary dial from 0.02...5A. Jam protection is configurable via two mechanical rotary dials, current level from 125...600% FLA, and delay from 0.1...10 seconds.

Robust design

The CEP7 has been designed to physically extend to the back-pan therefore aligning the mounting of the overload with the corresponding contactor. Further, the mechanical attachment and direct electrical connection to the contactor provides a robust mounting, which means less damage from shipping or during field wire installation. The bipolar latching relay which controls the normally closed trip contacts and normally open alarm circuit contacts have been self-enclosed, therefore insulating the electromagnet and shielding against airborne metal particles and other potential environmental debris. The CEP7 has been tested to operate in -20° C. or up to 60° C (140 °F) and withstand 3G of vibration or 30G of shock on a mountain up to an altitude of 2000m or in a jungle at 95% humidity. Reliability under every conceivable environmental condition is a quality built into the design of the CEP7 electronic overload relay.



CEP7-1EE Switch
Selection for Trip class
(10 or 20)



CEP7-1EF Selectable Dial for
• Manual vs. automatic
• Trip class 10, 15, 20 or 30)



Increased accuracy and improved motor protection

Microelectronics provide flexible and accurate motor overload protection. Unlike traditional overload relays that simulate heat build-up in the motor by passing current through a heater element, CEP7 solid state overload relays measure motor current directly through integrated current transformers. The transformers, in turn, create a magnetic field that induces DC voltage onto the ASIC board. The electronics identify excessive current or loss of phase more accurately, and react to the condition with greater speed and reliability than traditional overload relays. In addition, CEP7 solid state relays offer setting accuracies from 2.5 – 5% and repeat accuracy of 1%.

Dramatically lowered energy requirement saves money, reduces panel space

Because traditional overload relays work on the principle of “modeling” the heat generated in the motor (recreating the heat in the bimetal elements or heaters), a significant amount of energy is wasted. In traditional bimetallic overload relays, as many as six watts of heat are dissipated to perform the protective function. Because the CEP7 uses sampling techniques to actually measure the current flowing in the circuit, very little heat is dissipated in the device...as little as 0.5 watts. This not only reduces the total amount of electrical energy consumed in an application, but it can also have a dramatic impact on the design and layout of control panels. The density of motor starters can be much greater because less heat is generated by each of the individual components. Higher density results in smaller control panels. In addition, special ventilation or air conditioning that might have been required to protect sensitive electronic equipment such as PLC's can now be reduced or eliminated. CEP7 overload relays dramatically reduced energy requirement saves money and reduces panel space.

Direct Mount / Single & Three-phase Applications ①②③

Overload Relay	Directly Mounts to Contactor...	Adjustment Range (A)	Catalog Number	Price
CEP7-1EE Manual Reset for 1Ø and 3Ø Applications - Trip Class 10, 20				
 <p>shown: CEP7-1EEAB</p>	CA7-9...CA7-23 CAN7-12, CAN7-16	0.1...0.5	CEP7-1EEAB	75.00
		0.2...1.0	CEP7-1EEBB	75.00
		1.0...5.0	CEP7-1EECB	75.00
		3.2...16	CEP7-1EEDB	75.00
		5.4...27	CEP7-1EEEB	75.00
	CA7-30...CA7-55 CAN7-37, CAN7-43	5.4...27	CEP7-1EEED	115.00
	11...55	CEP7-1EEFD	115.00	
	CA7-60...CA7-97 CAN7-85	20...100	CEP7-1EEGE	128.00
CEP7-1EF Automatic or Manual Reset for 1Ø and 3Ø Applications - Trip Class 10, 15, 20, 30				
 <p>shown: CEP7-1EFAB</p>	CA7-9...CA7-23 CAN7-12, CAN7-16	0.1...0.5	CEP7-1EFAB	85.00
		0.2...1.0	CEP7-1EFBB	85.00
		1.0...5.0	CEP7-1EFCB	85.00
		3.2...16	CEP7-1EFD B	85.00
		5.4...27	CEP7-1EFEB	85.00
	CA7-30...CA7-55 CAN7-37, CAN7-43	5.4...27	CEP7-1EFED	134.00
	11...55	CEP7-1EFFD	134.00	
	CA7-60...CA7-97 CAN7-85	20...100	CEP7-1EFGE	152.00

TIP!

Most industrial applications usually call for an overload relay that must be manually reset in the event of a trip. This allows the cause of the overload to be identified before the motor is restarted. An overload relay that resets automatically is generally for specialized, or remote applications, such as rooftop AC units where restarting the motor will not harm people or equipment.

B
3rd Gen CEP7 Overloads

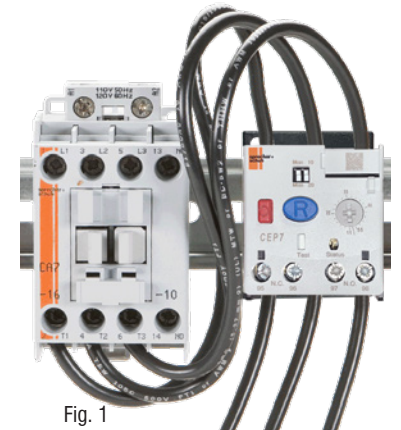





Fig. 1

Pass-Thru Models / Single & Three-phase Applications ②③

Overload Relay	for use with... ①	Adjustment Range (A)	Catalog Number	Price
CEP7-1EE Manual Reset for 1Ø and 3Ø Applications - Trip Class 10, 20				
 <p>shown: CEP7-1EECP</p>	All contactors	1.0...5.0	CEP7-1EECP	75.00
		3.2...16	CEP7-1EEDP	75.00
		5.4...27	CEP7-1EEEP	75.00
		11...55	CEP7-1EEFP	115.00
		20...100	CEP7-1EEGP	128.00
CEP7-1EF Automatic or Manual Reset for 1Ø and 3Ø Applications - Trip Class 10, 15, 20, 30				
 <p>shown: CEP7-1EFGP</p>	All contactors	1.0...5.0	CEP7-1EFCP	85.00
		3.2...16	CEP7-1EFD P	85.00
		5.4...27	CEP7-1EFEP	85.00
		11...55	CEP7-1EFFP	134.00
		20...100	CEP7-1EFGP	152.00
CEP7-1EF Automatic or Manual Reset for 1Ø and 3Ø Applications - Trip Class 10, 15, 20, 30				
 <p>shown: CEP7-1EFLZ</p>	All contactors and external current transformers	30...150	CEP7-1EFHZ	
		40...200	CEP7-1EFJZ	
		60...300	CEP7-1EFKZ	
		80...400	CEP7-1EFWZ	
		100...500	CEP7-1EFLZ	
		120...600	CEP7-1EFMZ	
	160...800	CEP7-1EFNZ		

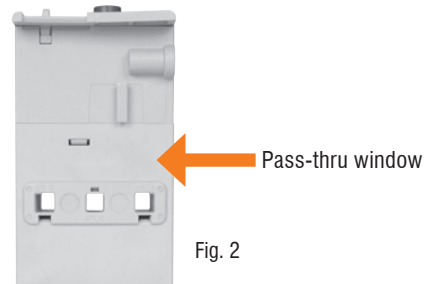


Fig. 2

Description

Fig. 1 - The Pass-Thru version of the CEP7 permits separate mounting of the overload relay.

Fig. 2 - Motor load side cables simply pass-thru a window in the overload relay body. The internal current transformers monitor the current flow.

Benefits

- No need for a panel mount adapter as required with direct-connect versions
- Eliminates 3 to 6 wire terminations
- Designed for use with CA8, CA7 or CA9 contactors
- Easily replaces outdated overload relays in existing starter assemblies
- Provides state-of-the-art accuracy and motor protection

① This reference is not intended to be a guide for selecting contactors. Size overload relays using the full load current of the motor.

② The reset time of a CEP7 set in the automatic mode is approximately 120 seconds.












③ CEP7 overload relays do not work with Variable Frequency Drives, DC Applications or Softstarters with braking options.

COMING SOON

Accessories - CEP7-1

B

3rd Gen CEP7 Overloads

Accessory	Description	For use with...	Package Quantity	Catalog No.	Price	
	Base Unit Anti-Tamper Shield		10	CEP7-1BC8	15.96	
	External Reset Adapter	CEP7-1EE, CEP7-1EF	1	CEP7-1ERA	13.60	
	Remote Reset Solenoid		240V AC	1	CEP7-1EMRA	78.00
			120V AC	1	CEP7-1EMRD	78.00
			24V DC	1	CEP7-1EMRZ	78.00
	DIN Rail/Panel Adapter	CEP7-1__B	1	CEP7-1EPB	28.00	
CEP7-1__D		1	CEP7-1EPD	28.00		
CEP7-1__E		1	CEP7-1EPE	28.00		
	Universal Protection Module (ground fault/jam)	CEP7-1EF	1	CEP7-1EGJ	139.00	
	Protection Accessory Anti-Tamper Shield	CEP7-1EGJ	25	CEP7-1EMC	18.00	
	Reset Adapter (electronic remote reset)	CEP7-1EF	1	CEP7-1ERR	65.00	
	Electronic Remote Indication Display	with reset	1	CEP7-ERID	56.70	
		no reset	1	CEP7-1ERIDN	56.70	
	Panel/DIN Mounting Kit (includes comm. cable)	CEP7-1EGJ, CEP7-1ERR	1	CEP7-1EIKIT1	15.00	
	Accessory Installation Kit and Spare Terminal Blocks (includes comm. cable)		1	CEP7-1EIKIT2	20.00	

Specifications - CEP7 Electronic Overload Relay

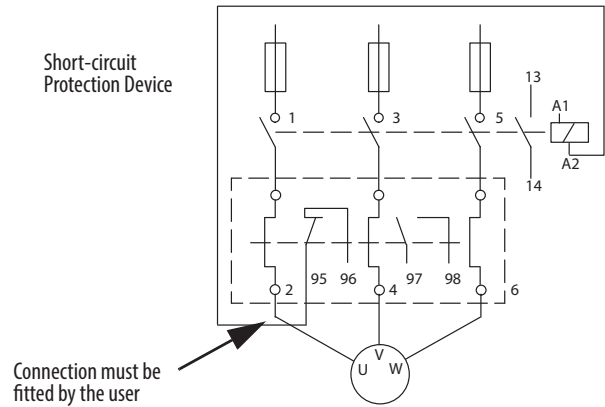
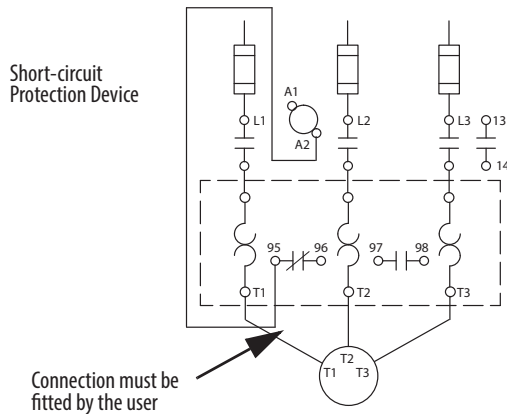
This section contains specifications, wiring diagrams, and certification information for the CEP7 Electronic Overload Relay and its accessories.

Wiring Diagrams

The figures in this section illustrate various wiring configurations for the CEP7 Electronic Overload Relay and accessories.

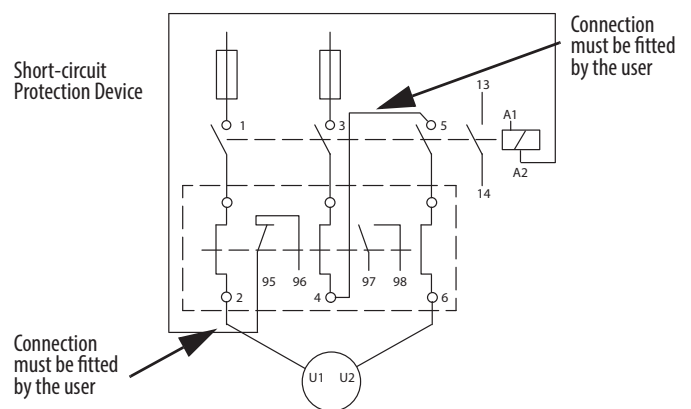
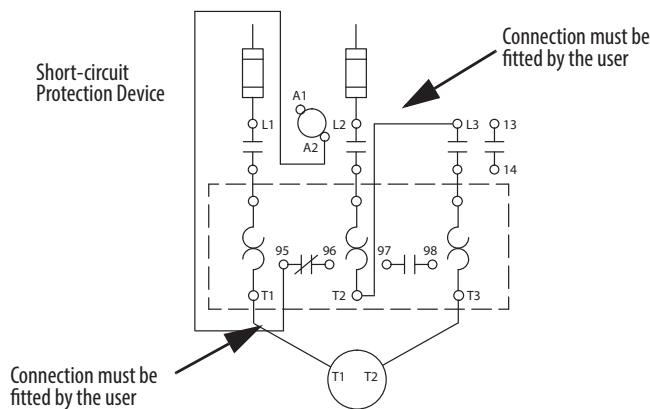
3-Phase / Full-voltage / Direct-on-Line Starter

UL/NEMA Symbology and IEC Symbology

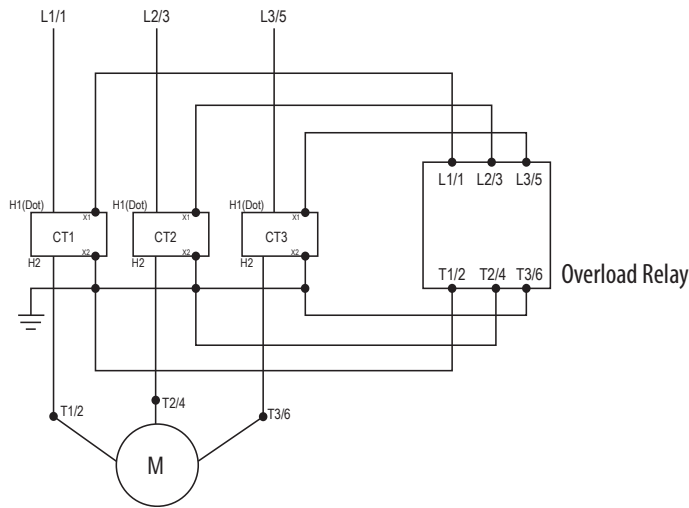


1-Phase / Full-voltage / Direct-on-Line Starter

UL/NEMA Symbology and IEC Symbology



CEP7 Overload Relay (Cat. No. CEP7-1EF_Z) with External Transformer



COMING SOON

Standards Compliance and Certifications

This section contains specifications, wiring diagrams, and certification information for the CEP7 Electronic Overload Relay and its accessories.

Standards Compliance	Certifications
CSA22.2, No. 60947-4-1	cULus Listed – File No. E14840
EN 60947-4-1	CE Marked
UL 60947-4-1	RCM (formerly C-tick)
GB/T 14048.4-2010	ABS
SJ/T 11364, GB/T 26572, SJ/Z 11388	RINA
	DNV/GL
	CCC
	KC
	EAC
	Environmental Protection Use Period 25 (China RoHS)
	Morocco Regulatory Certification

Overload Protection

Attribute	Rating	
	CEP7-1EE..	CEP7-1EF..
Type of Relay	Ambient Compensated Time-Delay Phase Loss Sensitive	
Nature of Relay	Solid-state	
FLA Setting	Rotary Dial	
Trip Rating	120% FLA	
Trip Class	10, 20	10, 15, 20, 30
Reset Mode	Manual	Automatic or Manual
Overload Reset Level	Auto Reset occurs at 70% TCU when accessory powered, after 2 minutes when self powered. Manual Reset can occur anytime by pressing the manual reset button. Electronic Reset (ERID input) can only occur below 70% TCU.	

* Typical reset time for CEP7-1EF devices set to automatic reset mode is dependent upon overload trip class. Typical reset time for Trip Class 10 is 90 seconds, Trip Class 15 is 135 seconds, Trip Class 20 is 180 seconds, and Trip Class 30 is 270 seconds.

General Protection

Protection Type	CEP7-1EE		CEP7-1EF, CEP7-1EF	
	Trip	Warning	Trip ❶	Warning ❶
Overload	Yes	No	Yes	Yes
Phase Loss	Yes	No	Yes	Yes
Ground Fault ❷	No	No	Yes	Yes
Jam ❷	No	No	Yes	Yes

Ground Fault Protection

Attribute	Rating CEP7-1EF
Type	Core Balanced
Intended Use	Equipment Protection
Classification (Per UL 1053)	Evaluated to UL 1053 but not listed as such
Internal Protection Range	0.02...5.0 A
Trip and Warning Time Delay	Fixed at 100 msec ± 20 msec

❶ Trip/Warning indication also available using the CEP7-1ERR/1EGJ and CEP7-ERID / 1ERIDN accessory modules.

❷ Additional ground fault and jam protection accessory CEP7-1EGJ required.

Technical Information

Motor/Load Ratings		
Terminals	1/L1, 3/L2, 5/L3, 2/T1, 4/T2, 6/T3	
Terminal Style Devices		
Rated Insulation Voltage - (U_i)	[V]	690V AC
Rated Operating Voltage - (U_o) IEC	[V]	690V AC
Rated Operating Voltage - (U_o) UL	[V]	600V AC
Pass-thru Style Devices		
Rated Insulation Voltage - (U_i)	[V]	1000V AC
Rated Operating Voltage - (U_o) IEC	[V]	1000V AC
Rated Operating Voltage - UL/CSA	[V]	600V AC
Rated Impulse Voltage - (U_{imp})	[kV]	6 kV AC
Rated Operating Current - (I_o)	See product selection table	
Rated Frequency	[Hz]	45...65

Control Relay Ratings



Relay N.O./N.C.		
Type of Contacts	Ag/Ni	
Rated Thermal Current (I_{me})	B600: 5.0 A; C600: 2.5 A; R300: 1.0 A	
Contact Reliability	[V]	17 V, 5 mA
Rated Insulation Voltage - (U_i)	[V]	690V AC
Rated Operation Voltage - (U_o)	[V]	690 AC (IEC) / 600 AC (UL/CSA)
Rated Operating Current (I_o)	[V]	B600: 3 A (@120V AC), 1.5 A (@240V AC)
	[V]	C600: 1.5 A (@120V AC), 0.75 A (@240V AC)
	[V]	R300: 0.22 A (@125V DC), 0.11 A (@250V DC)
Minimum Operating Current	[V]	10 mA @ 5V DC
Rating Designation	N.O. C600 / N.C. B600 (AC) N.O. / N.C. R300 (DC)	
Utilization Category	AC-15/DC-13	
B600 VA Rating	3,600VA make / 360VA break	
C600 VA Rating	1,800VA make / 180VA break	
R300 VA Rating	28VA make / 28VA break	

Rated Number of Mechanical Operations

Relay N.O./N.C.		10,000
W/ CA7-9...CA7-37		13,000,000
W/ CA7-43...CA7-55		12,000,000
W/ CA7-60...CA7-97		6,000,000

Wiring Specifications

Wiring Specifications for CEP7-1E__B, CEP7-1E__D, and CEP7-1E__E

Wire Type	Wires	Control Wiring		Power Wiring					
		All		CEP7-1E B		CEP7-1E D		CEP7-1E E	
		Range	Torque	Range	Torque	Range	Torque	Range	Torque
 Flexible Stranded w/ Ferrule	1 Wire	0.75...2.5 mm ²	1.4 N•m	2.5...16 mm ²	2.5 N•m	2.5...16 mm ²	2.5 N•m	4...35 mm ²	4.6 N•m
	2 Wires ①			2.5...10 mm ²	3.4 N•m	2.5...10 mm ²	3.6 N•m	4...25 mm ²	
 Stranded / Solid	1 Wire	0.75...4.0 mm ² (18...12 AWG)	1.4 N•m (12 lb•in)	2.5...16 mm ² (14...6 AWG)	2.5 N•m (22 lb•in)	2.5...16 mm ² (14...6 AWG)	2.5 N•m (22 lb•in)	4...35 mm ² (12...1 AWG)	4.6 N•m (40 lb•in)
				25 mm ² (4 AWG)	3.4 N•m	25 mm ² (4 AWG)	3.4 N•m (30 lb•in)	4...35 mm ² (12...2 AWG)	
	2 Wires ①			2.5...16 mm ² (14...6 AWG)	3.4 N•m (30 lb•in)	2.5...16 mm ² (14...6 AWG)	3.6 N•m (32 lb•in)	4...35 mm ² (12...2 AWG)	

① For multiple conductor applications, the same size and style wire must be used.

Technical Information

B
3rd Gen CEP7 Overloads

Environmental Ratings		Overload Rating	Accessory Rating
Ambient Temperature	Storage [°C]	-40...+85 (-40...+185 °F)	
	Operating (open) [°C]	-20...+65 (-4...+149 °F)	
	Operating (enclosed)	-20...+50 °C (-4...+122 °F)	-20...+55 °C (-4...+131 °F)
Humidity	Operating [%]	5...95% Non-condensing; 92% R.H.	
	Damp Heat - Steady State (per IEC 60068-2-78)	93% R.H., 40 °C (104 °F), 56 days	
	Damp Heat - Cyclic (per IEC 60068-2-30)	93% R.H., 25 °C/40 °C (77 °F/104 °F), 21 Cycles	
Cooling Method		Natural convection	
Vibration (per IEC 68-2-6), operating		[G]	3
Shock (per IEC 68-2-27), operating		[G]	30
Maximum Altitude		[m]	2000
Pollution Environment		Pollution Degree 3	
Degree of Protection		IP20 (front of panel)	IP20

Electromagnetic Compatibility

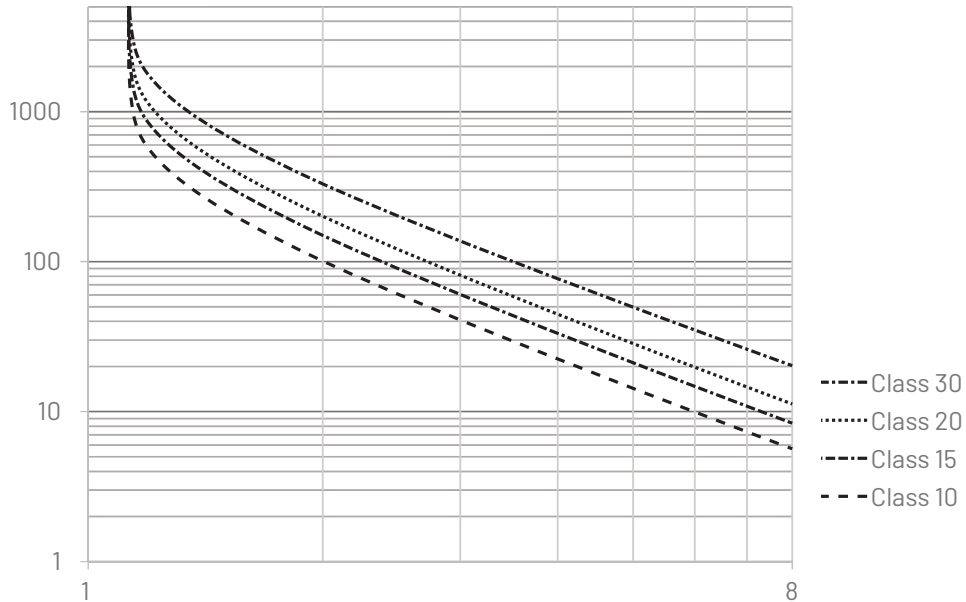
Immunity and Emissions		Overload Rating	Accessory Rating
Electrostatic Discharge Immunity			
IEC 61000-4-2, IEC 60533		6 kV Contact Discharge, 8kV Air Discharge (Performance Criterion "B")	8 kV Contact Discharge, 8kV Air Discharge (Performance Criterion "B")
Radio Frequency Immunity			
	[Hz]	10V/m; 80 MHz...1.0 GHz	
IEC 61000-4-3	[Hz]	3V/m; 1.4 GHz...2.0 GHz	
	[Hz]	1V/m; 2.0 GHz...2.7 GHz	
IEC 60533	[Hz]	10V/m; 80 MHz...2.0 GHz (Performance Criterion "A")	
Electrical Fast Transient / Burst Immunity			
IEC 61000-4-4, IEC 60533		[V]	4kV (3-phase Power); 2kV (Control Power & Communication I/O when CEP7-1ERR or CEP7-1EGJ accessory installed); Performance Criterion "A"
Surge Immunity			
IEC 61000-4-4, IEC 60533		[V]	2kV (L-N); 1kV (L-L); Performance Criterion "B"
Radiated Emissions			
CISPR11 Environment A		[Hz]	30 MHz...1.0 GHz
IEC 60533		[Hz]	150KHz...2.0GHz
Conducted Emissions			
CISPR11 Environment A		[Hz]	150 KHz...30 MHz
IEC 60533		[Hz]	10 KHz...30 MHz (General Power Distribution Only)
Conducted Immunity			
IEC 61000-4-6, IEC 60533		[Hz]	Modulation 80% AM at 1 KHz; 10V RMS (150 KHz...80 MHz)
Power Frequency Magnetic Field Immunity			
IEC 60947-1, IEC 61000-4-8		[Hz]	30 A/m; 50 Hz
Voltage Variation Immunity			
IEC 61000-4-11, IEC 60533		[V]	— Control Power 40...240V (AC/DC)

Technical Information

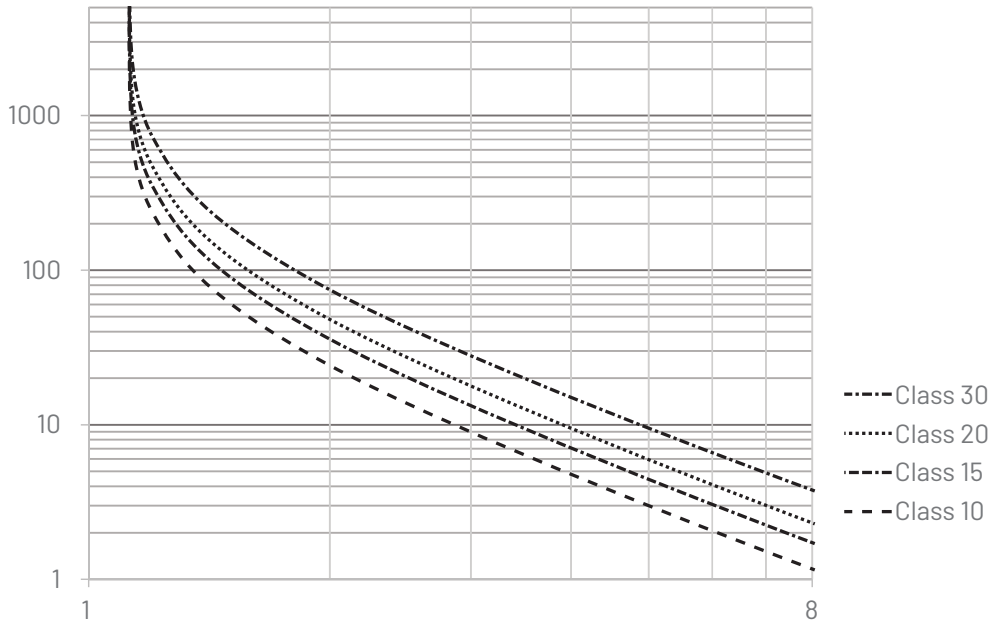
Overload Trip Curves

Typical reset time for CEP7-1EF devices set to automatic reset mode is dependent upon overload trip class. Typical reset time for Trip Class 10 is 90 seconds, Trip Class 15 is 135 seconds, Trip Class 20 is 180 seconds, and Trip Class 30 is 270 seconds.

Cold Trip Curves



Hot Trip Curves

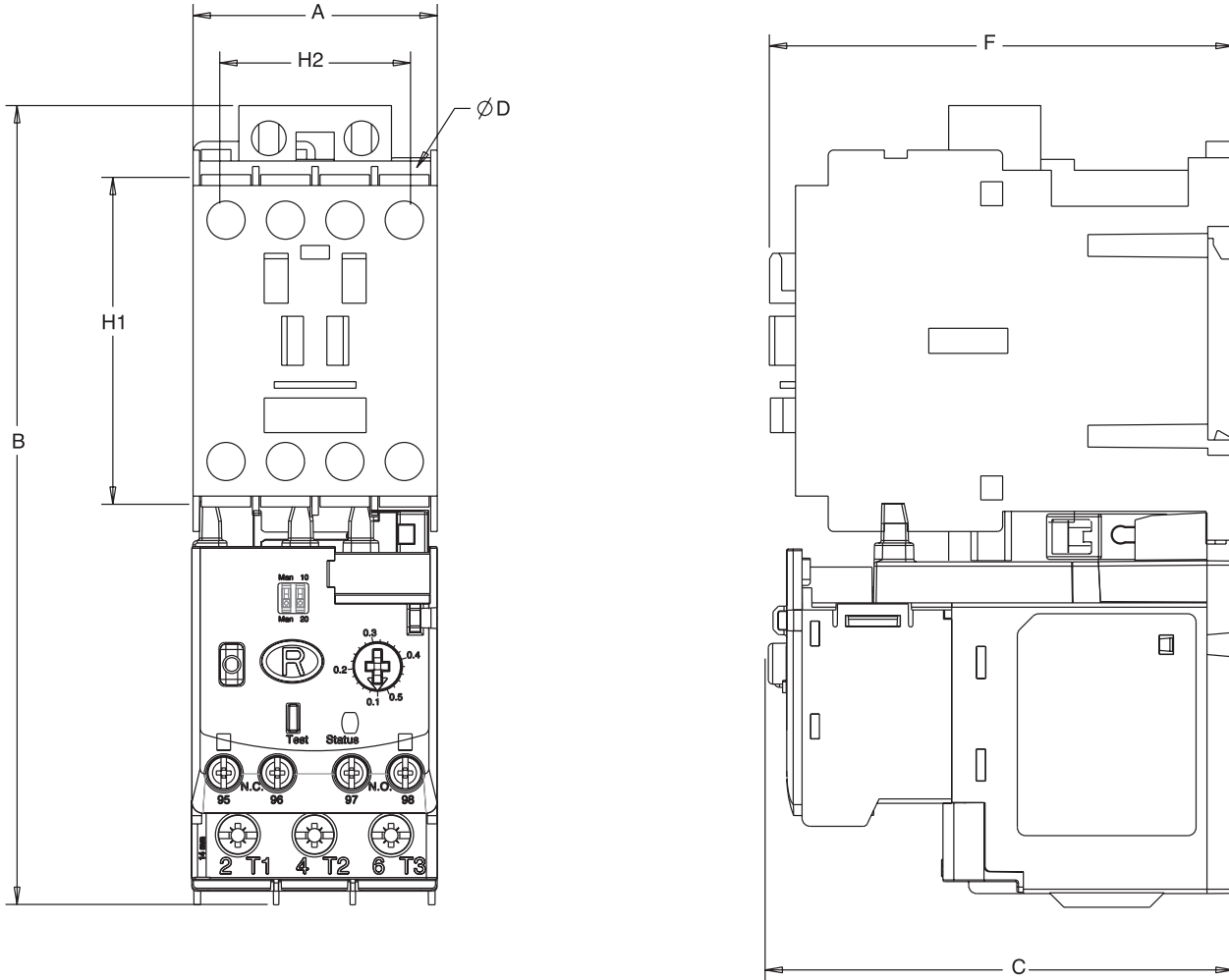


B

3rd Gen CEP7 Overloads

CEP7-1 Mounted to CA7 Contactor

Dimensions are in millimeters (inches). Dimensions not intended for manufacturing purposes.



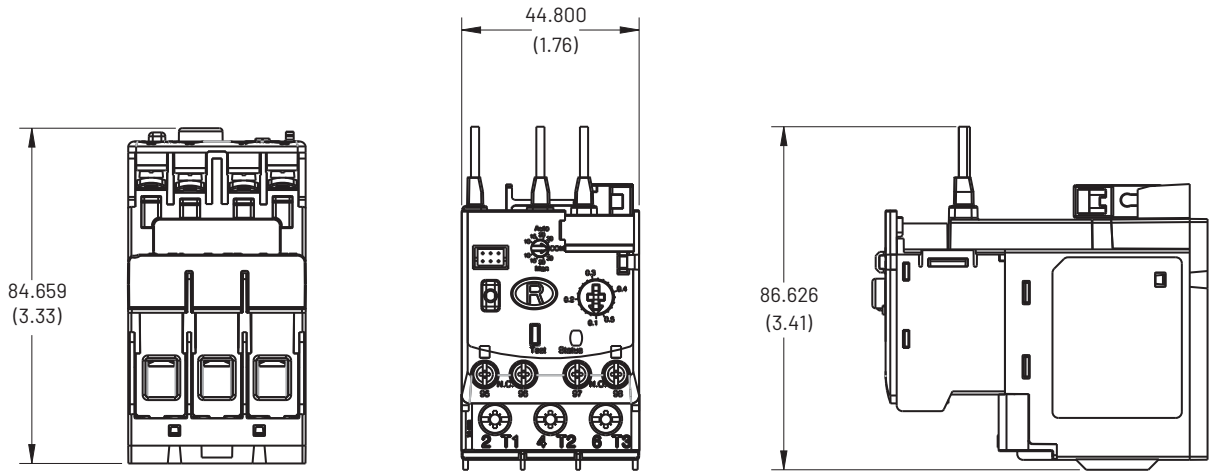
Overload	Mounted to Contactor		A Width	B Height	C Depth	D	F	H1	H2
CEP7-1EE/EF_B	CA7-9...23, CAN7-12...16	mm (in)	45 (1-25/32)	146.6 (5-25/32)	85.2 (3-23/64)	4.5 (3/16)	86.5 (3-13/32)	60 (2-23/64)	35 (1-3/8)
CEP7-1EE/EF_D	CA7-30...37, CAN7-37	mm (in)	45 (1-25/32)	146.6 (5-25/32)	101.2 (3-63/64)	4.5 (3/16)	104 (4-3/32)	60 (2-23/64)	35 (1-3/8)
CEP7-1EE/EF_D	CA7-43...55, CAN7-43	mm (in)	54 (2-1/8)	146.6 (5-25/32)	101.2 (3-63/64)	4.5 (3/16)	107 (4-3/32)	60 (2-23/64)	45 (1-25/32)
CEP7-1EE/EF_E	CA7-60...97, CAN7-85	mm (in)	72 (2-53/64)	192.3 (7-37/64)	120.4 (4-3/4)	5.4 (7/32)	125.5 (4-15/16)	100 (3-15/16)	55 (2-11/64)

CEP7-1 Direct-Mount

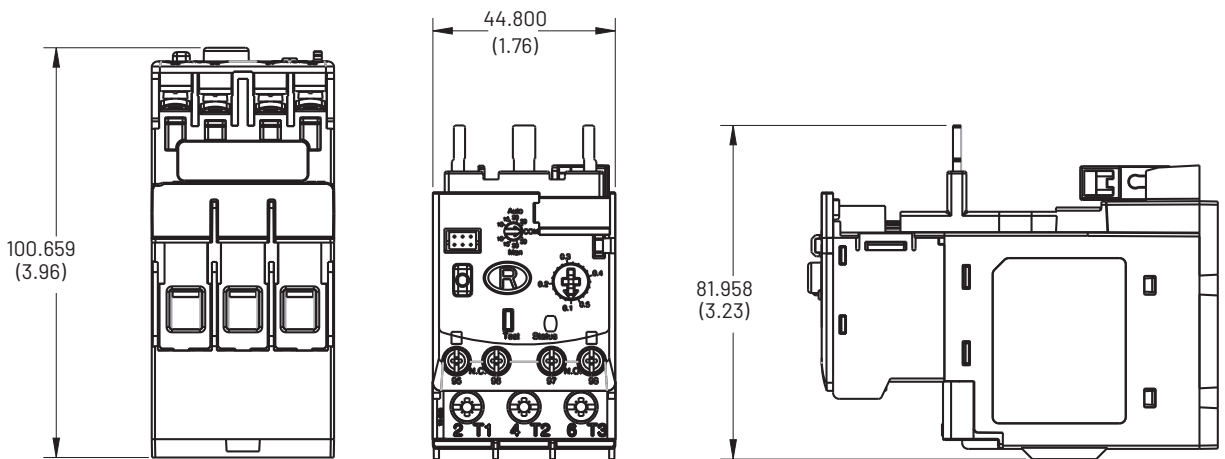
B

3rd Gen CEP7 Overloads

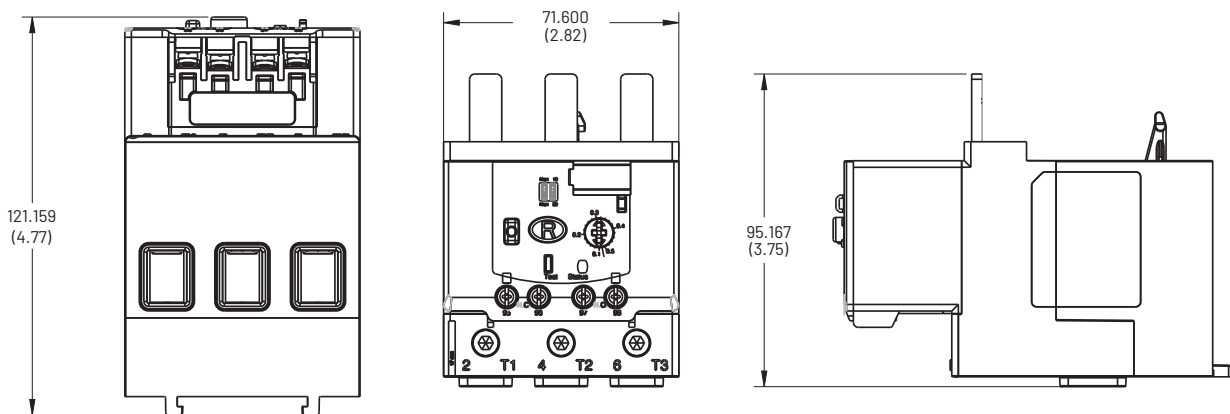
CEP7-1_B



CEP7-1_D



CEP7-1_E

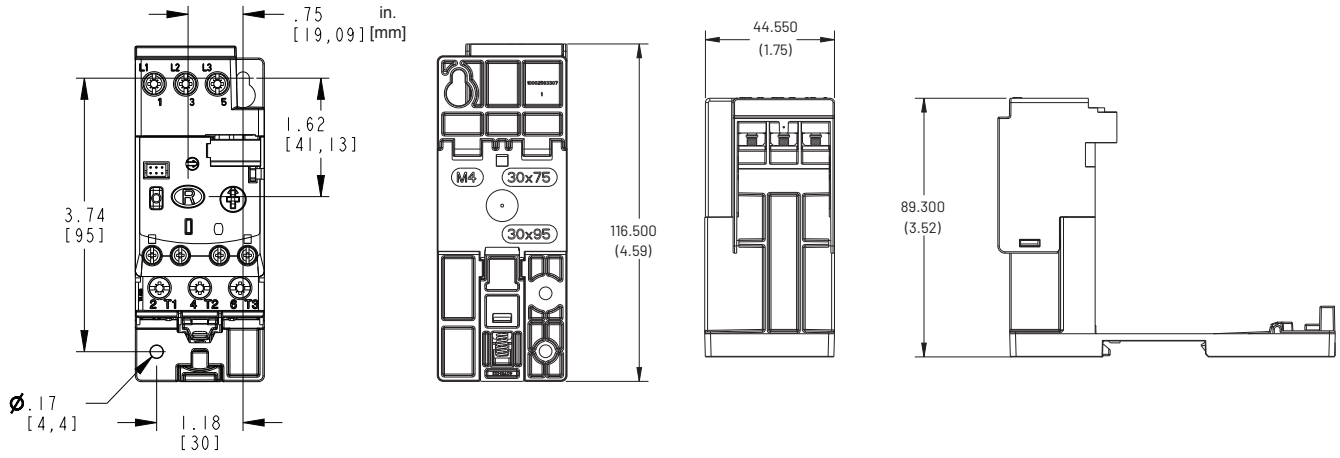


B

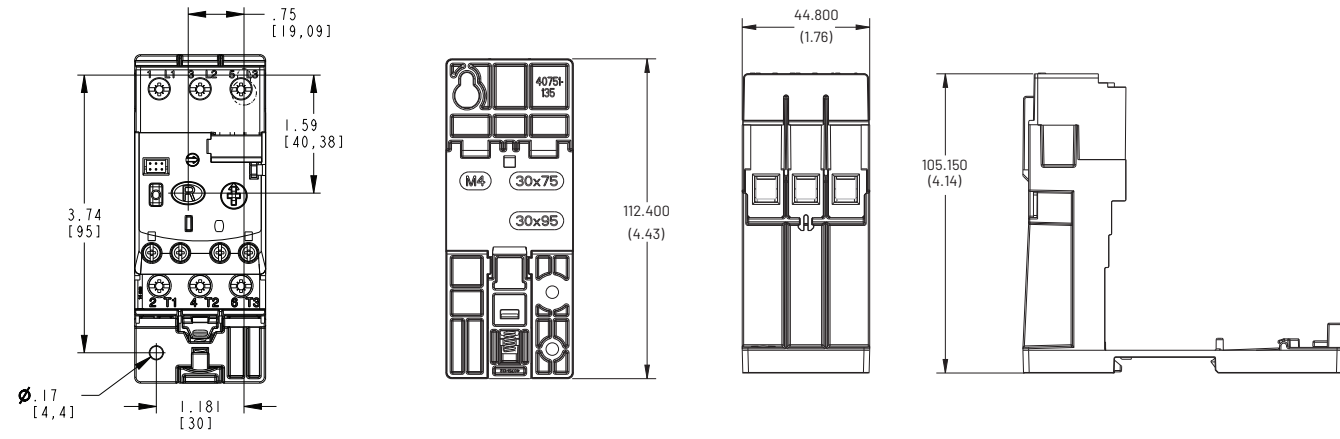
3rd Gen CEP7 Overloads

CEP7-1 with CEP7-1EP... Panel Mount Adaptor

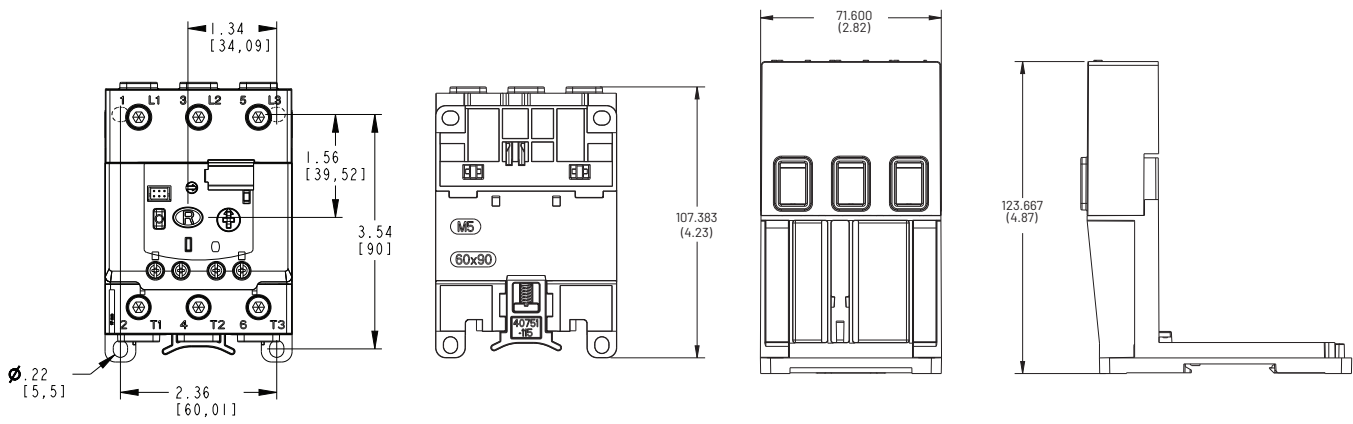
CEP7-1EPB Panel Mount for CEP7-1_B



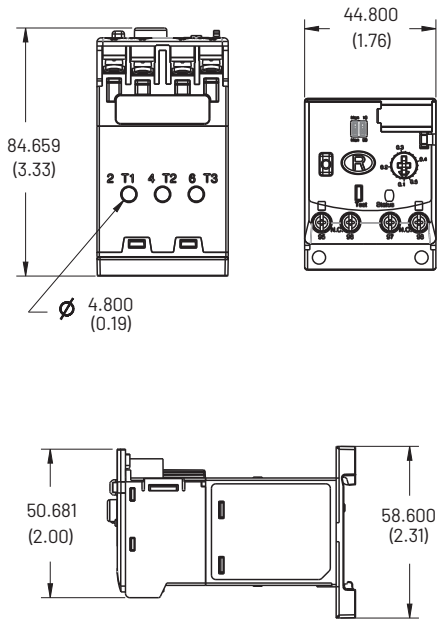
CEP7-1EPD Panel Mount for CEP7-1_D



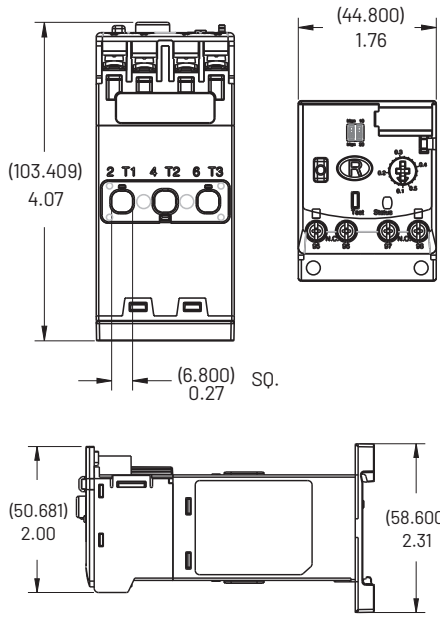
CEP7-1EPE Panel Mount for CEP7-1_E



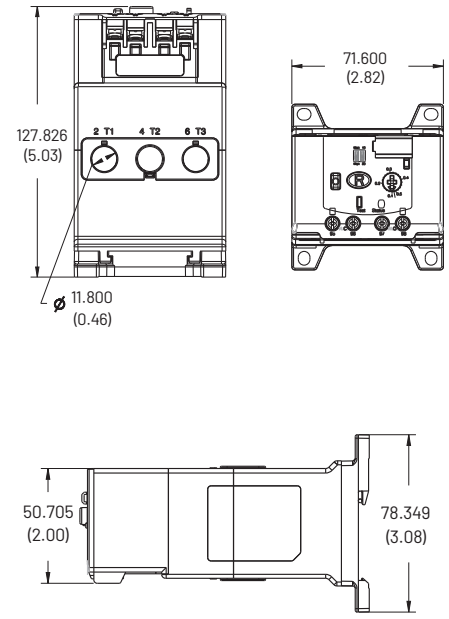
CEP7-1EE & CEP7-1EF Pass-thru Overload / 1.0...27A



CEP7-1EE & CEP7-1EF Pass-thru Overload / 11...55A



CEP7-1EE & CEP7-1EF Pass-thru Overload / 20...100A

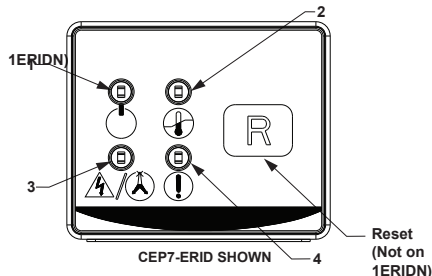


CEP7-ERID and CEP7-1ERIDN Remote Indicator

Indication

Starter:

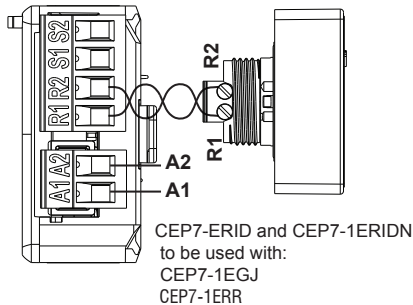
- ① Fault Code
- 3-Ground Fault
- 5-Jam
- 9-Welded Cont *
- 10-Comm Loss
- 11-Test Trip



* Applies to OLRF Module only - KTE9-OLRF

LED	Function	Symbol	Fault or Status	Flash Code
			Module Power	Green (Flash)
			Module Power + Motor Current	Green (Solid)
			Hardware Fault	Red (Solid)
2	Overload		Overload Trip / Warning*	Yellow (Flash)
3	Phase Loss		Short Circuit Trip	Red (Solid)
			Phase Loss Trip / Warning	Red / Yellow (Flash)
			Ground Fault Trip / Warning	3 Red / Yellow (Flash)
4	Fault Status		Jam Trip / Warning	5 Red / Yellow (Flash)
			Welded Cont*	9 Red (Flash)
			Comm Loss / Warning	10 Red / Yellow (Flash)
			Test Trip	11 Red (Flash)

Wiring Diagram

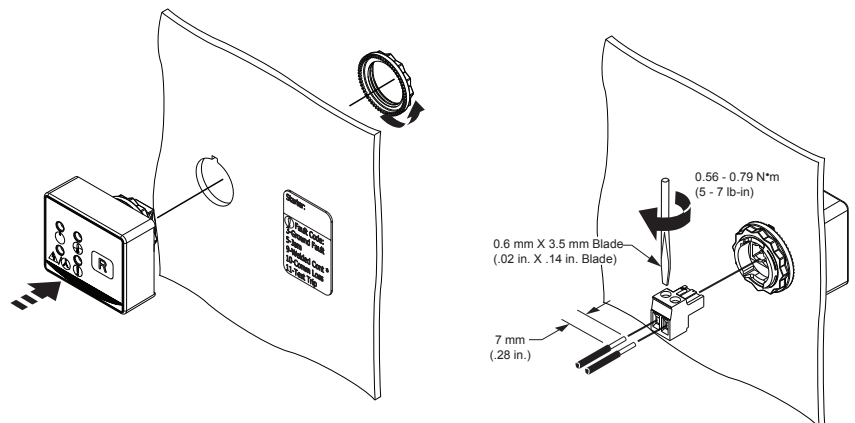


Main Connections

Rated Insulation Voltage (Ui): 30V
 Rated Operational Voltage (Ue) IEC/UL: 24V DC

Torque	
mm ²	0.55 N·m
VG	(5 lb-in)

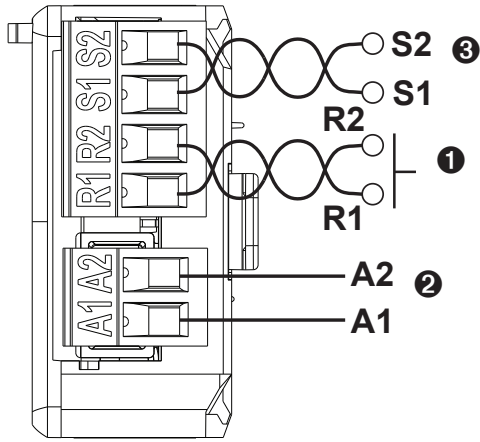
Recommend use of twisted pair for remote reset 24 AWG Minimum



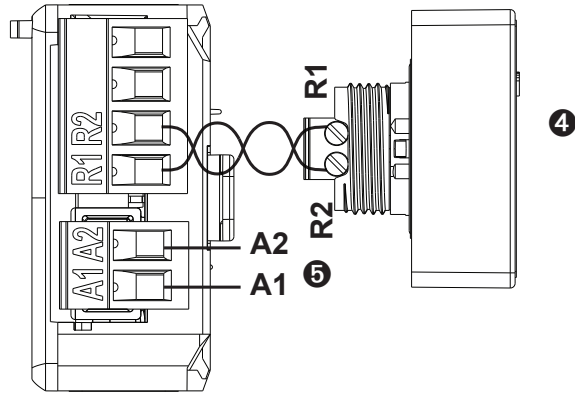
Expansion Accessory Ratings CEP7-1EGJ/1ERR

Attribute	Rating
Rated Insulation Voltage Ui	264V (AC/DC)
Rated Operating Voltage Ue, IEC	24...240V (AC/DC)
Rated Frequency	45...65 Hz
Power Consumption	0.8 Watts at 24V AC; 1.0 Watts at 240V AC

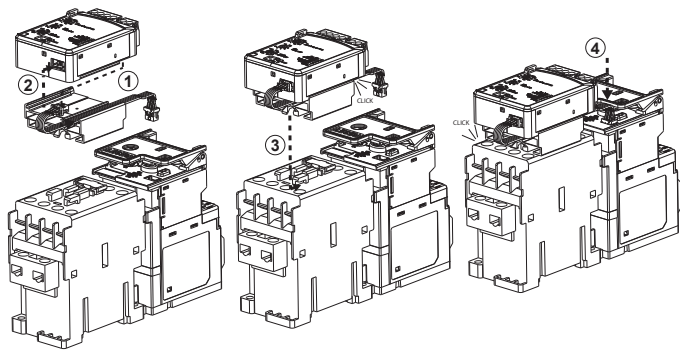
CEP7-1EGJ Universal Protection Expansion Module Wiring



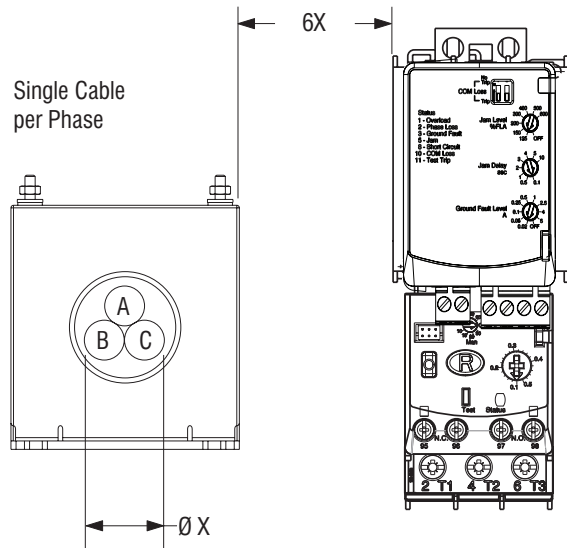
CEP7-1ERR Electronic Reset and Indication Display Module Wiring



Module Installation



CEP7-1EGJ Installation with CEP7-CBCT



- ❶ Terminals R1 and R2 are used with CEP7-ERID and CEP7-1ERIDN modules.
- ❷ External power must be user supplied. 24...240V, 47...63 Hz or DC.
- ❸ Connect current sensor to Terminal S1 and S2

- ❹ Terminals R1 and R2 are used with CEP7-ERID and CEP7-1ERIDN modules.
- ❺ External power must be user supplied. 24...240V, 47...63 Hz or DC.