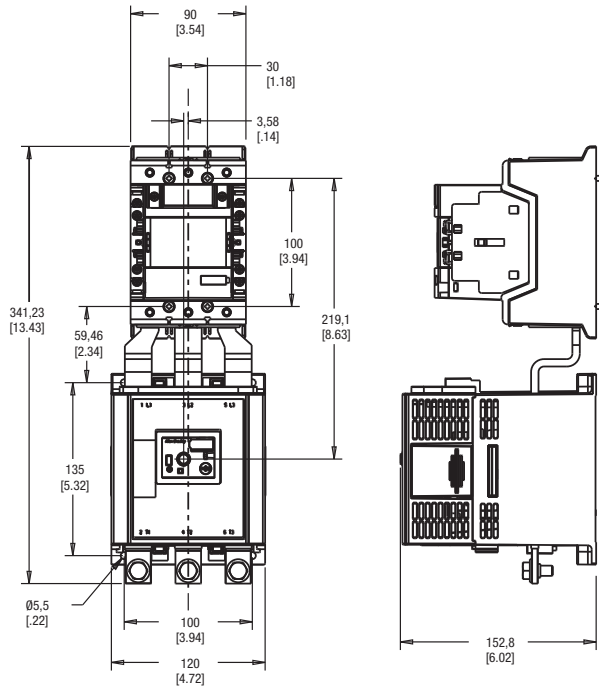
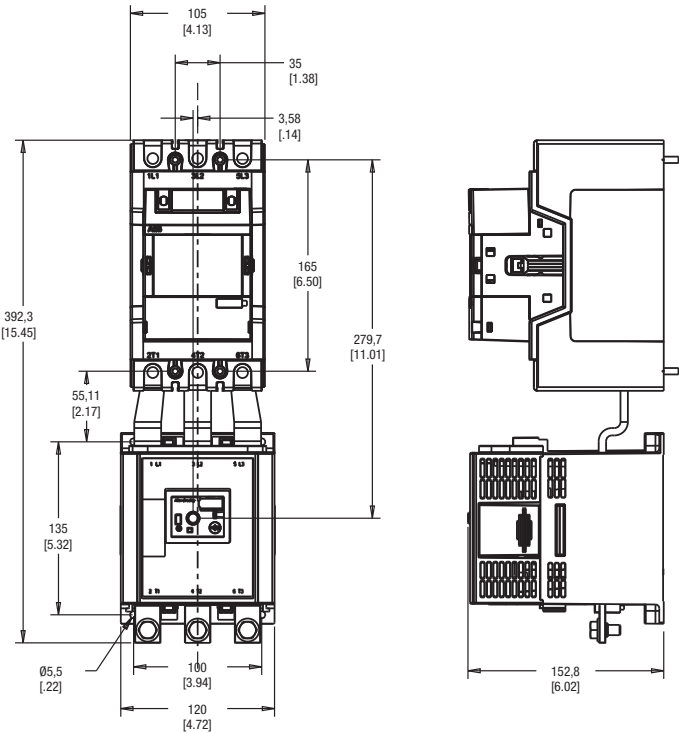


CEP7 Current Transformer Models mounted to CA9 Contactor (116-205A)

Dimensions are in millimeters (inches). Dimensions not intended for manufacturing purposes.

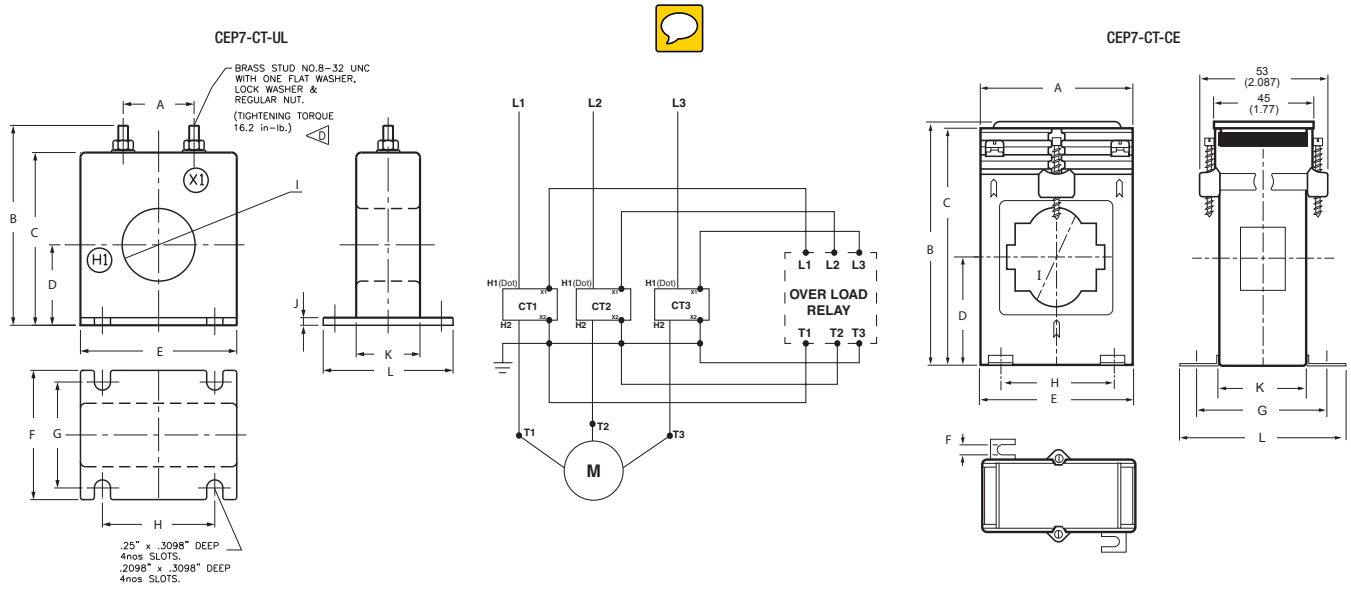


CA9-116 AND CA9-146 CONTACTORS SHOWN



CA9-190 AND CA9-205 CONTACTORS SHOWN

CEP7-CT



DIMENSIONS mm (inches)	A	B	C	D	E	F	G	H	I	J	K	L
CEP7-CT-UL-300	27.29 (1.09)	79.5 (3.13)	68.6 (2.7)	32.5 (1.27)	60.96 (2.40)	50 (1.96)	40.4 (1.59)	44.45 (1.75)	29 (1.14)	3 (0.118)	24 (0.94)	50 (1.96)
CEP7-CT-UL-600	83.31 (3.28)	134.4 (5.29)	123.2 (4.85)	59.4 (2.34)	115.8 (4.56)	54.1 (2.13)	44.45 (1.75)	96 (3.78)	63.5 (2.50)	4.3 (0.17)	27.4 (1.08)	54.1 (2.13)
CEP7-CT-CE-300	71 (2.80)	88.5 (3.48)	85.5 (2.7)	36.75 (1.27)	70 (2.75)	6.5 (0.26)	57 (2.24)	50 (1.97)	32 (1.26)		40 (1.58)	72 (2.83)
CEP7-CT-CE-400	96 (3.75)	108.5 (4.27)	105.5 (4.85)	48.3 (1.90)	95 (3.74)	4.5 (0.177)	57 (2.24)	70 (3.75)	44 (1.73)	~	40 (1.58)	72 (2.83)