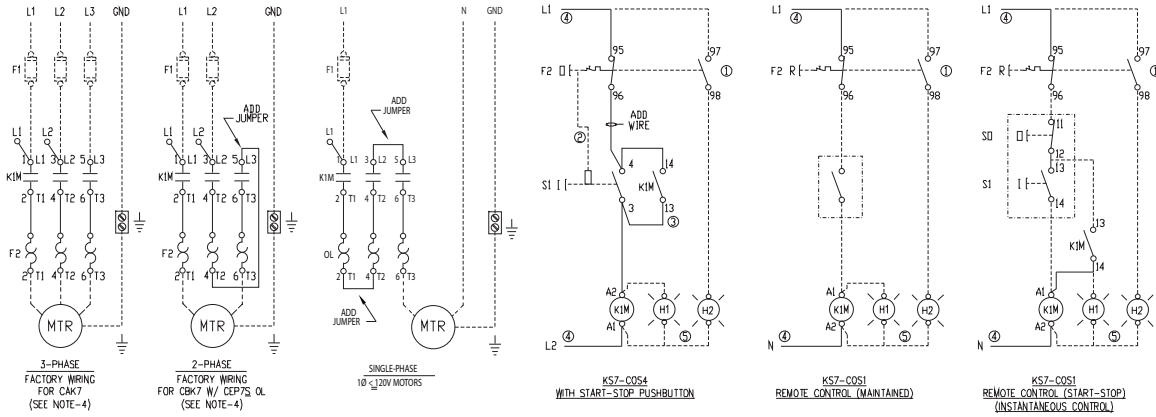


### KWIKstarter (in enclosure KS7-COS1/COS4)

CUSTOMER MUST PROVIDE PROPER BRANCH CIRCUIT PROTECTION (F1)  
SEE THE APPLICATION INSTRUCTION SHEET - COMPONENT SELECTION TABLES  
FOR MAX. FUSE SIZE & CLASS AND APPLICABLE SHORT CIRCUIT RATING  
(USE 75°C COPPER WIRE ONLY)

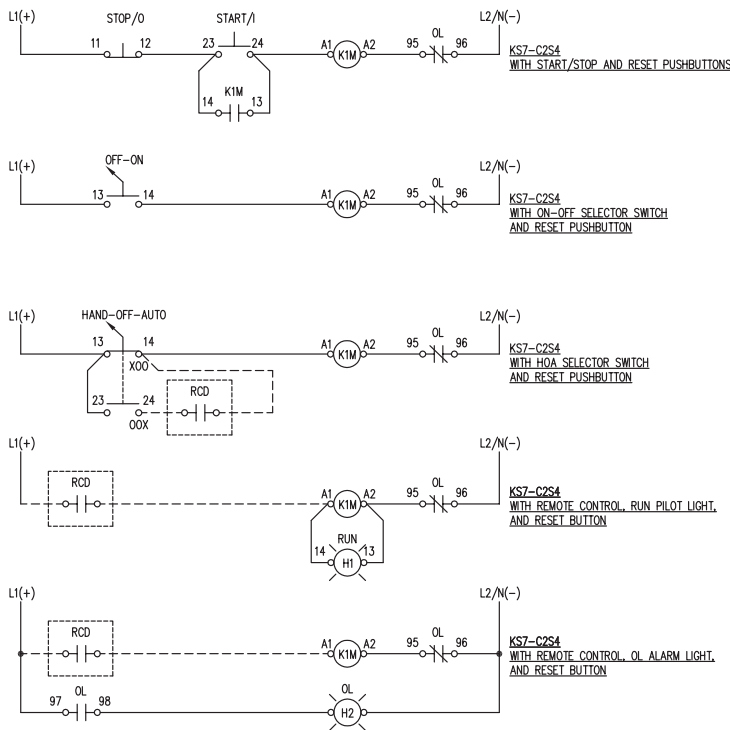


THIS DRAWING IS FOR THE FOLLOWING ENCLOSURES:  
KS7-COS4 with integrated START-STOP push button  
KS7-COS1 with integrated RESET push button

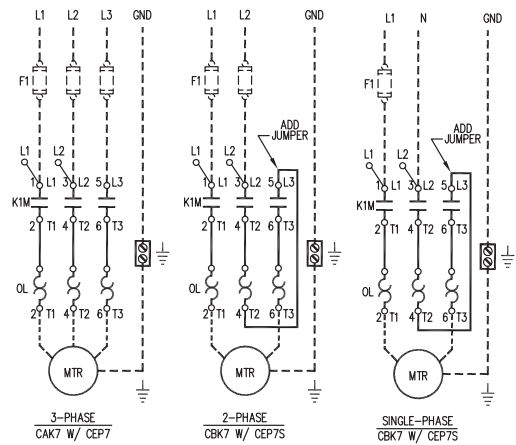
**NOTES:**

- 1) MECHANICAL LATCH KS7-PLA FOR MAINTAINED CONTROL (OPTIONAL).
- 2) START CONTACT KIT KS7-PCK (INCLUDED) MOUNTS ON THE RIGHT SIDE WITH MOLDED PRE-FORMED JUMPERS.
- 3) DO NOT WIRE CONTROLS CIRCUIT TO LINE SIDE OF CONTACTOR WHEN COIL VOLTAGE IS 120V OR LESS. (FACTORY WIRING STANDARD)
- 4) OPTIONAL PILOT LIGHTS.

### KWIKstarter (in enclosure KS7-C2S4)



CUSTOMER WILL PROVIDE BRANCH CIRCUIT PROTECTION (F1)  
SEE THE APPLICATION INSTRUCTION SHEET - COMPONENT SELECTION TABLES  
FOR MAX. FUSE SIZE, CLASS, AND APPLICABLE SHORT CIRCUIT RATING  
(USE 75°C COPPER WIRE ONLY)



**NOTES:**

1. DO NOT CONNECT A1-A2 TO L1-L2 UNLESS COIL VOLTAGE MATCHES LINE VOLTAGE
2. PILOT LIGHTS POSSIBLE FOR REMOTE OR OVERLOAD ALARM IF NO START/STOP CONTROL DEVICES IN COVER
3. RCD = REMOTE CONTROL DEVICE (BY OTHERS)