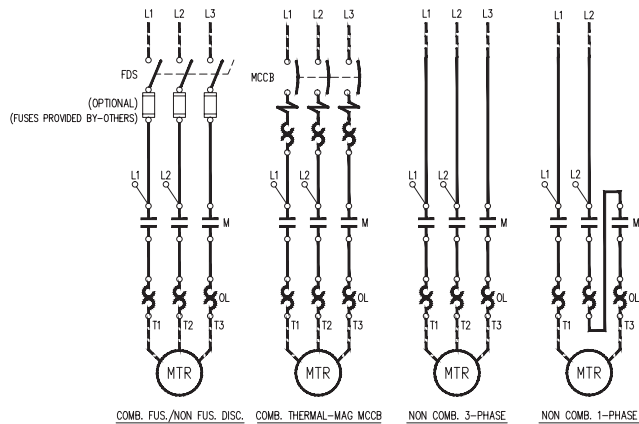
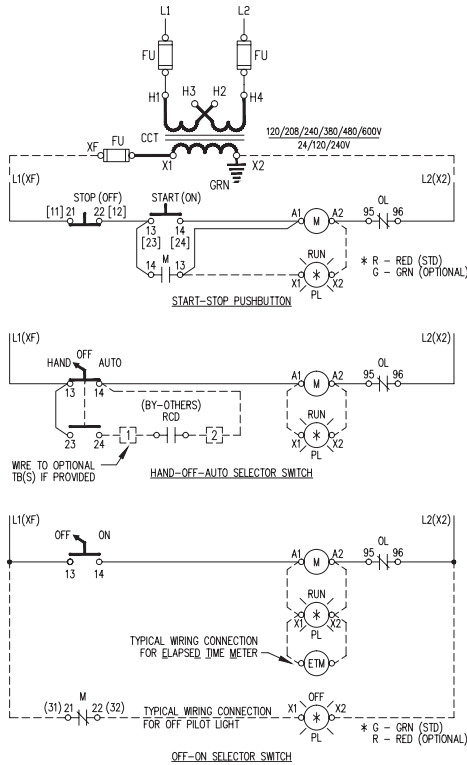
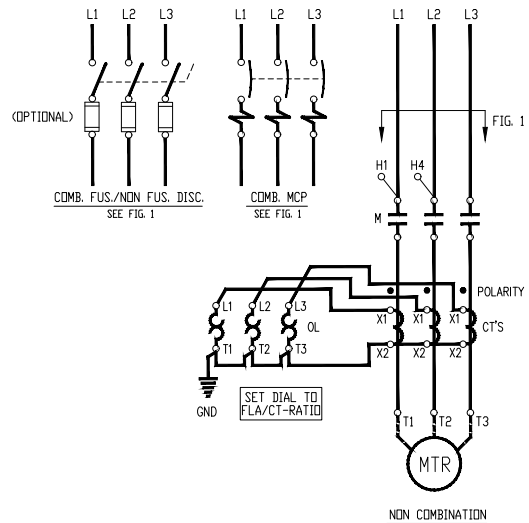
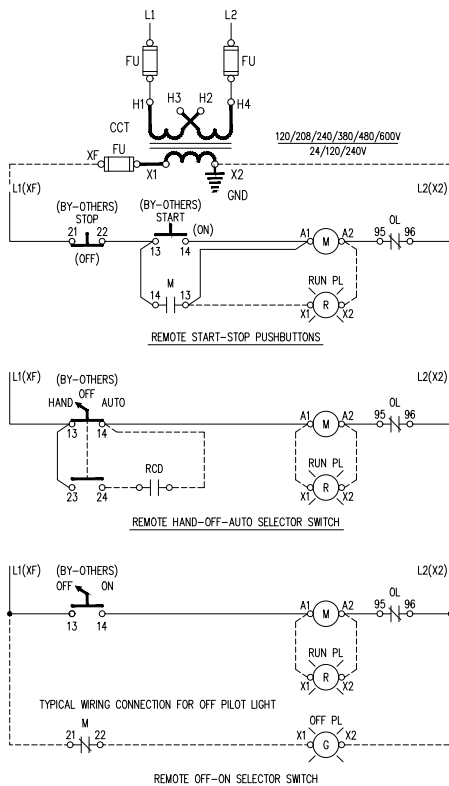


### Motor Starters - Non-Reversing



- NOTES:
- 1) X2 TERMINAL GROUNDED AS STANDARD, REMOVE GROUND IF NOT REQUIRED.
  - 2) RCD: STANDS FOR REMOTE CONTROL DEVICE BY CUSTOMER.
  - 3) [ ] : FOR MULTIFUNCTION TERMINAL NUMBERS.
  - 4) ( ) : FOR ALT. AUX. CONTACT TERMINAL NUMBERS.

### Motor Starters - Non-Reversing (with Current Transformers)



- NOTES:
- 1) RCD: STANDS FOR REMOTE CONTROL DEVICE BY CUSTOMER.
  - 2) X2 TERMINAL GROUNDED AS STANDARD, REMOVE GROUND IF NOT REQUIRED.
  - 3) REFER TO PAGE B13 FOR CURRENT SETTING GUIDANCE