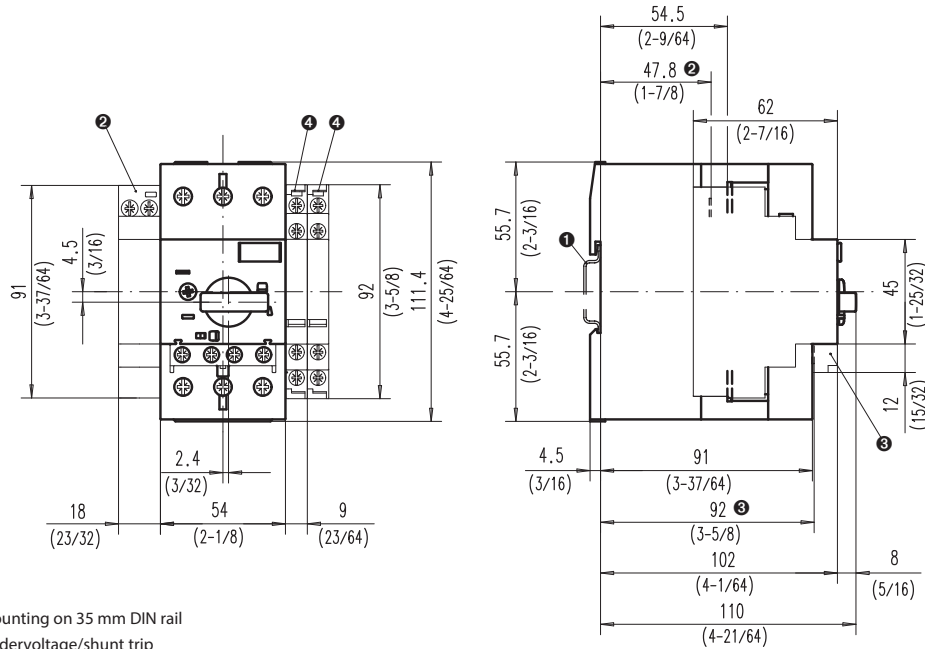


KT_7-45H Motor Circuit Controllers (without Terminal Adaptor KT7-45-TE)

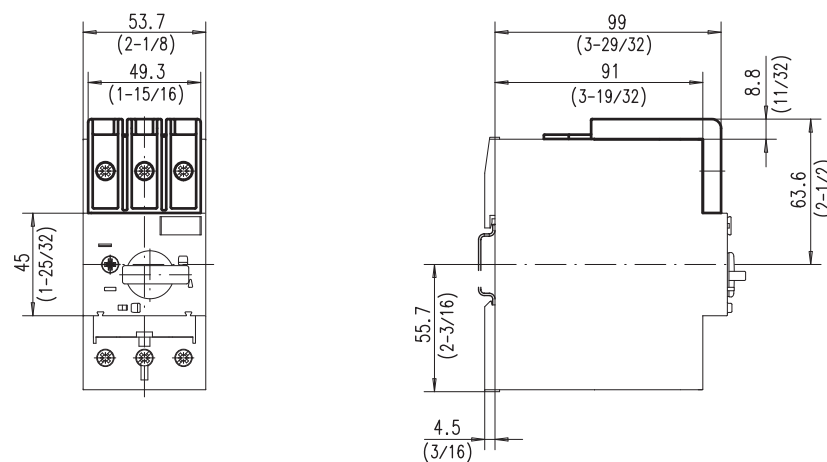
Dimensions are in millimeters (inches). Dimensions not intended for manufacturing purposes.



- ❶ Mounting on 35 mm DIN rail
- ❷ Undervoltage/shunt trip
- ❸ Auxiliary contact (front mounted)
- ❹ Auxiliary contact (side mounted)

KT_7-45H

KT_7-45H Motor Circuit Controllers (with Terminal Adaptor KT7-45-TE)



KT_7-45H

F
KT7 Motor Circuit Controllers

