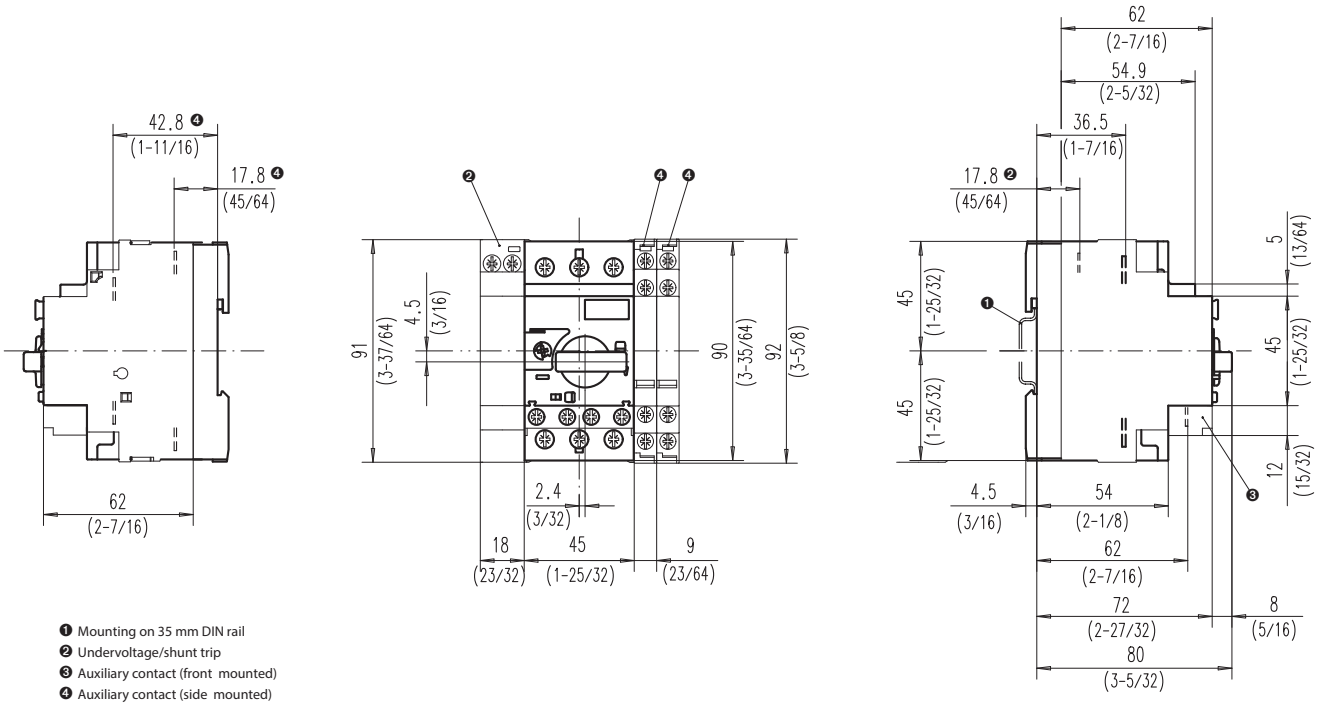
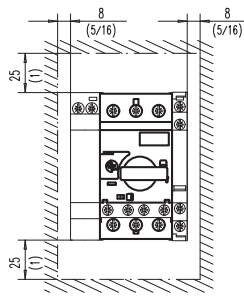


KTV7-25/32 Motor Circuit Controllers

Dimensions are in millimeters (inches). Dimensions not intended for manufacturing purposes.



Minimum distance to grounded parts or walls



KT7-TE1 Type E adapter on KTV7

