
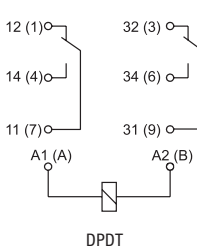
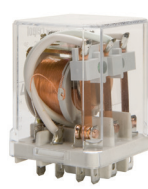
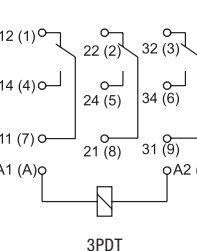


Plug-in Relays 2 Pole (Form C) - Square Base Blade Type ❶



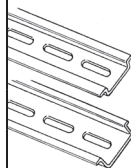
RUC Relay	Description	Position Indication	Diagram (pin side view)	Coil Voltage	Obsolete	Catalog Number	Price Each	Pkg Qty
	15A DPDT 2 Pole (2 Form C) AgSnO ₂ Contacts Features: Built-in LED Bi-polar input for DC versions	Indicating Flag Electrical LED		6VDC	RUC-1012-26-1006-L	RUC-3012-26-1006-L	23.17	10
				12VDC	RUC-1012-26-1012-L	RUC-3012-26-1012-L	21.97	
				24VDC	RUC-1012-26-1024-L	RUC-3012-26-1024-L	21.97	
				48VDC	RUC-1012-26-1048-L	RUC-3012-26-1048-L	26.23	
				110VDC	RUC-1012-26-1110-L	RUC-3012-26-1110-L	25.21	
				6VAC	RUC-1012-26-5006-L	RUC-3012-26-5006-L	25.21	
				12VAC	RUC-1012-26-5012-L	RUC-3012-26-5012-L	22.14	
				24VAC	RUC-1012-26-5024-L	RUC-3012-26-5024-L	23.17	
				120VAC	RUC-1012-26-5120-L	RUC-3012-26-5120-L	23.17	
				240VAC	RUC-1012-26-5240-L	RUC-3012-26-5240-L	25.21	

Plug-in Relays 3 Pole (Form C) - Square Base Blade Type ❶

RUC Relay	Description	Position Indication	Diagram (pin side view)	Coil Voltage	Obsolete	Catalog Number	Price Each	Pkg Qty
	10A 3PDT 3 Pole (3 Form C) AgSnO ₂ Contacts Features: Built-in LED Bi-polar input for DC versions	Indicating Flag Electrical LED		6VDC	RUC-1013-26-1006-L	RUC-3013-26-1006-L	22.14	10
				12VDC	RUC-1013-26-1012-L	RUC-3013-26-1012-L	23.17	
				24VDC	RUC-1013-26-1024-L	RUC-3013-26-1024-L	23.17	
				48VDC	RUC-1013-26-1048-L	RUC-3013-26-1048-L	26.23	
				110VDC	RUC-1013-26-1110-L	RUC-3013-26-1110-L	26.23	
				6VAC	RUC-1013-26-5006-L	RUC-3013-26-5006-L	26.23	
				12VAC	RUC-1013-26-5012-L	RUC-3013-26-5012-L	24.02	
				24VAC	RUC-1013-26-5024-L	RUC-3013-26-5024-L	24.02	
				120VAC	RUC-1013-26-5120-L	RUC-3013-26-5120-L	24.02	
				240VAC	RUC-1013-26-5240-L	RUC-3013-26-5240-L	26.23	

G
 Relpol Control Relays

Accessories

Accessory	Description	Catalog Number	Price Each	Pkg Qty
	Screw Terminal, Square Base Blade type Socket for RUC relays - Panel or DIN-rail mounting ❷ - 15A, 300VAC rating, UR, CSA	SB11	11.07	10
	Retainer clip for SB11 tube base relay sockets	MBA	1.02	25
	DIN-rail - 2 meter lengths (6' 6") Top Hat, low profile Top Hat, high profile	3F 3AF	See Page N30	20 12

❶ Relays can be special ordered with No LED's, contact your Sprecher + Schuh representative.

❷ This product is sourced from a third party manufacturer, not Relpol.