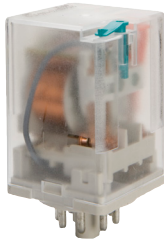
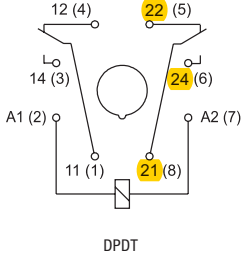

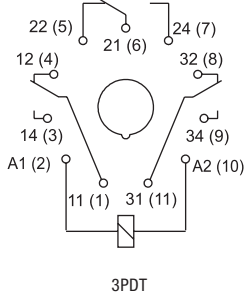


Plug-in Relays 2 Pole (Form C) - Tube Base 8-Pin Type ①

| R15 Relay | Description | Position Indication | Diagram (pin side view) | Coil Voltage | Catalog Number | Price Each | Pkg Qty |
|---|---|-----------------------------------|---|--------------|----------------------|------------|---------|
|  | 10A DPDT 2 Pole (2 Form C) AgNi Contacts Features: Push-to-test/ Latching Lever as standard Built-in LED Bi-polar input for DC versions | Indicating Flag Electrical LED |  | 6VDC | R15-2012-23-1006-WTL | 22.33 | 10 |
| | | | | 12VDC | R15-2012-23-1012-WTL | 22.33 | |
| | | | | 24VDC | R15-2012-23-1024-WTL | 22.33 | |
| | | | | 48VDC | R15-2012-23-1048-WTL | 26.50 | |
| | | | | 110VDC | R15-2012-23-1110-WTL | 26.50 | |
| | | | | 6VAC | R15-2012-23-5006-WTL | 26.00 | |
| | | | | 12VAC | R15-2012-23-5012-WTL | 23.00 | |
| | | | | 24VAC | R15-2012-23-5024-WTL | 23.00 | |
| | | | | 120VAC | R15-2012-23-5120-WTL | 23.00 | |
| | | | | 240VAC | R15-2012-23-5240-WTL | 25.17 | |

Plug-in Relays 3 Pole (Form C) - Tube Base 11-Pin Type ①

| R15 Relay | Description | Position Indication | Diagram (pin side view) | Coil Voltage | Catalog Number | Price Each | Pkg Qty |
|--|---|-----------------------------------|--|--------------|----------------------|------------|---------|
|  | 10A 3PDT 3 Pole (3 Form C) AgNi Contacts Features: Push-to-test/ Latching Lever as standard Built-in LED Bi-polar input for DC versions | Indicating Flag Electrical LED |  | 6VDC | R15-2013-23-1006-WTL | 23.67 | 10 |
| | | | | 12VDC | R15-2013-23-1012-WTL | 23.67 | |
| | | | | 24VDC | R15-2013-23-1024-WTL | 23.67 | |
| | | | | 48VDC | R15-2013-23-1048-WTL | 27.67 | |
| | | | | 110VDC | R15-2013-23-1110-WTL | 27.67 | |
| | | | | 6VAC | R15-2013-23-5006-WTL | 27.33 | |
| | | | | 12VAC | R15-2013-23-5012-WTL | 24.00 | |
| | | | | 24VAC | R15-2013-23-5024-WTL | 24.00 | |
| | | | | 120VAC | R15-2013-23-5120-WTL | 24.00 | |
| | | | | 240VAC | R15-2013-23-5240-WTL | 26.00 | |

G
 Relpol Control Relays

① The standard features of "Push-to-test/Latching" lever can be easily removed and plugged with an accessory plug or push-to-test button. See installation guide and accessory plugs/push-to-test buttons on page G49.