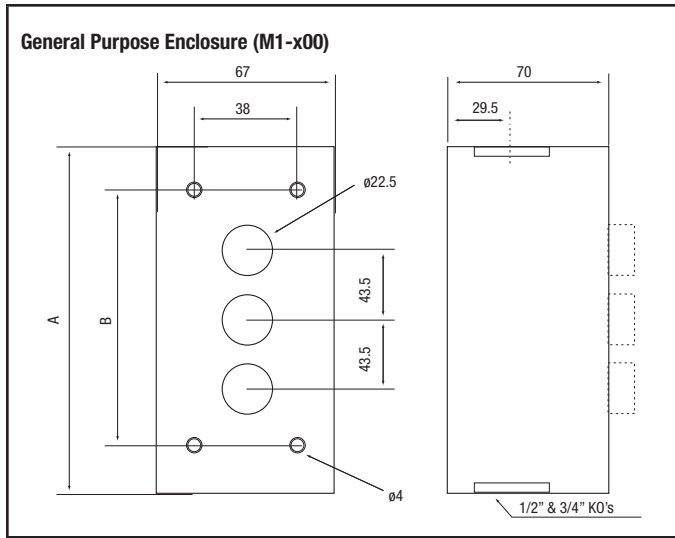
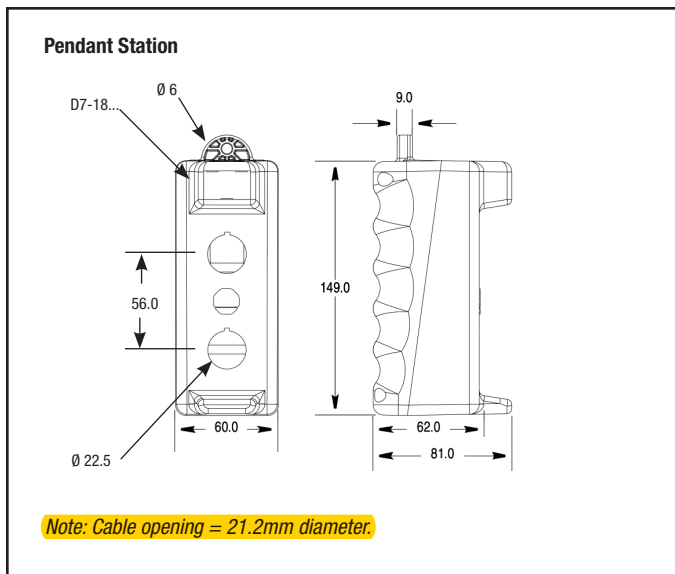


Approximate Dimensions – millimeters ①



Type 1 - Metal Enclosures			
Cat. No.	No. of Units (Holes)	A	B
M1-100	1	114 (4-1/2)	51 (2)
M1-200	2	114 (4-7/8)	51 (2)
M1-300	3	157 (6-1/4)	102 (4)



① Dimensions are not intended to be used for manufacturing purposes.