

Signal Towers

<i>modulSignal 50 - Assembled</i>	J2
- Components	J4
<i>modulSignal 70 - Components</i>	J6
<i>ECOmodul40 - Assembled</i>	J10
- Components	J11
<i>ECOmodul60 - Assembled</i>	J13
- Components	J14
<i>ECOmodul70 - Assembled</i>	J16
- Components	J17
<i>modulCOMPACT 30 - Factory Assembled</i>	J20
<i>halfDOME 90 - Factory Assembled</i>	J21

Beacons and Alarms

<i>Combination Beacons Q + Sounders A</i>	J22
<i>Beacons Q</i>	J23
<i>Beacons Q with Buzzer</i>	J24
<i>Multi-Tone Sounders A</i>	J25
<i>Multi-Tone Sounders A with Beacon</i>	J26
<i>Modular Beacons M</i>	J27
<i>Beacons N</i>	J29
<i>LED Lightbar</i>	J29
<i>Combination Beacons T + Buzzer T</i>	J30
<i>Beacons T and U</i>	J31
<i>Buzzer T</i>	J33
<i>Beacons P</i>	J34

Panel Mount Signaling

<i>Panel Mount Beacons T & U</i>	J35
<i>M22 Beacons</i>	J36
<i>M22 Beacon + Alarm</i>	J38

<i>Signaling Replacement Bulbs</i>	J39
--	-----

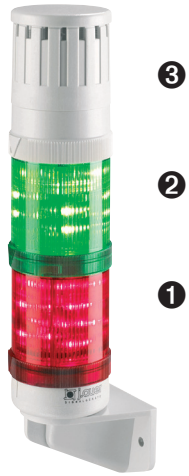
Online Catalog Only

<i>Non-UL Signaling Beacons, Horns and more</i>	J40
<i>Telephones</i>	J46
<i>Explosion Proof Signaling</i>	J50
<i>Dimensions</i>	J53





Stack Modules up to 5 levels



Ordering Instructions

- 1) Determine the number of levels (up to five) required in the Warning Tower Light
- 2) Choose the Base required (Table A)
- 3) Choose Base & Cap color (Table B) and control voltage (Table C)
- 4) Choose Module Type (Table D) and Lens color (Table E) for up to five levels until the entire catalog number is complete

Warning Tower Lights



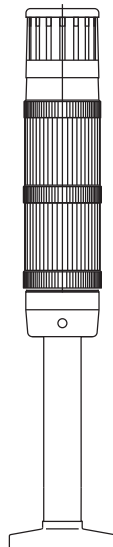
SN
Surface Mount
1/2" NPT
(VNW)



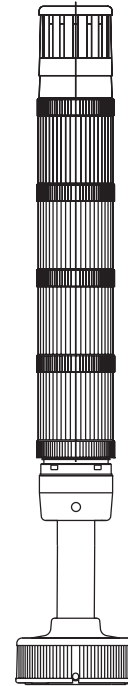
V
Vertical Mount
(VMV)



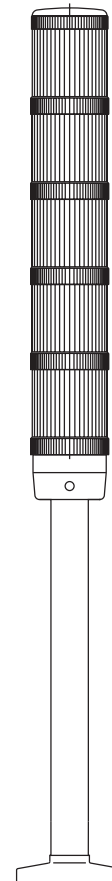
L1
10 cm Pole Mount
(VMR)



L2
25 cm Pole Mount
(VMR)



Q1
10 cm Pole Quick Release
(VFR)



L4
40 cm Pole Mount
(VMR)

Level 5 (max)
Level 4
Level 3
Level 2
Level 1

			Level One	Level Two	Level Three	Level Four	Level Five						
A	B	C	D	E	D	E	D	E					
WTL50 –	V	G	24	Y	3	Y	4	Y	5	L	7	AS	



				Level One		Level Two		Level Three		Level Four		Level Five	
	A	B	C	D	E	D	E	D	E	D	E	D	E
WTL50 –	L1	G	120	D	7	D	3	D	5	D	4	AD	

Catalog Code	Description
X	Modules only (no base)
SN	Surface Mount (1/2" NPT Threading)
SM	Surface Mount (M20 Threading)
V	Vertical Mount
L	Pole Mount Base - 5cm [≈2"] aluminum tube w/polycarbonate foot
L1	Pole Mount Base - 10cm [≈4"] aluminum tube w/polycarbonate foot
L2	Pole Mount Base - 25cm [≈9-7/8"] aluminum tube w/polycarbonate foot
L4	Pole Mount Base - 40cm [≈15-3/4"] aluminum tube w/polycarbonate foot
Q1	Quick Release Pole Mount Base - 10cm [≈4"] aluminum tube w/foot adapter
Q2	Quick Release Pole Mount Base - 25cm [≈9-7/8"] aluminum tube w/foot adapter
Q3	Quick Release Pole Mount Base - 40cm [≈15-3/4"] aluminum tube w/foot adapter

Gray denotes special order

Catalog Code	Description
B	Black
G	Gray

Catalog Code	Description
12	12V AC/DC Full Voltage
24	24V AC/DC Full Voltage
120	120V AC Full Voltage
240	240V AC Full Voltage

Catalog Code	Description
D	Steady Incandescent ❷
F	Flashing Incandescent ❷
Y	Steady LED (VLL + LLL)
Z	Steady Integrated LED light ❸
L	Flashing LED (VLB + LLL) ❷
M	Flashing Integrated LED light ❸ ❹
B	Strobe - Xenon
BS	Strobe Integrated LED Single ❸ ❹
S	Strobe Integrated LED Multi ❸ ❹
AS	Sound - single circuit, dual tone ❺
AD	Sound - dual circuit, dual tone ❺

Catalog Code	Description
3	Green
4	Red
5	Amber
6	Blue
7	Clear
8	Yellow

- ❶ For a Pole Mount Base with Junction Box, order desired Pole Mount from this table and field install Junction Box as an accessory.
- ❷ Assembled as a Flashing Module with Steady LED bulb (LLL).
- ❸ Sound Modules must be installed as the last component (top level) of the tower light assembly. If selecting Dual Tone Sound Modules a maximum of four modules, consisting of three Light Modules and one Dual Sound Module, is possible.

- ❹ Assembly includes incandescent bulbs.
- ❺ Not available in 12V AC/DC, 120V AC.
- ❻ Lens color codes for assembled towers do not correspond with color codes for ordering individual beacon modules as components. Some modules have limited colors and voltages. See component pages for details.
- ❼ Only available in Red and Amber.



Light Modules 50 mm us Type 4/4X/13

Type	Description	Specifications	Catalog Number ^①
Light Modules		Replace with Lens Color	
	VLL Steady Light (no bulb) ^②	up to 250 V AC/DC	750 00 900
	VLB Flashing light (no bulb) ^②	12-24 V AC/DC	760 00 405
		110/120 V AC	760 00 310
		230/240 V AC	760 00 313
	VLF Strobe light 3 J Xenon tube included	12-24 V AC/DC	770 00 405
		110/120 V AC	770 00 310
		230/240 V AC	770 00 313
VDC Integrated LED Steady light	24 V AC/DC	751 00 405	
	110/120 V AC	751 00 310	
	230/240 V AC	751 00 313	
VDA Integrated LED Flashing light Amber and red only	24 V AC/DC	Amber	761 001 405
	24 V AC/DC	Red	761 002 405
	230/240 V AC	Amber	761 001 313
	230/240 V AC	Red	761 002 313
VDF Integrated LED Strobe light Amber and red only	24 V AC/DC	Amber	771 001 405
	24 V AC/DC	Red	771 002 405
VFF Integrated LED Multi-Strobe light Amber and red only	24 V AC/DC	Amber	772 001 405
	24 V AC/DC	Red	772 002 405
	Incandescent Bulb Puller	Steady & Flashing modules	WTL-BULBPL

Sound Modules 50 mm us Type 4/4X/13

Type	Description	Specifications	Catalog Number			^③
			Grey Housing	Black Housing	Silver Housing	
	VDE - Single Circuit Piezo Buzzer continuous/pulsing tone (103/88 dB)	12 V AC/DC	781 100 404	781 500 404	781 800 404	R/F
		24 V AC/DC	781 100 405	781 500 405	781 800 405	
		110/120 V AC	781 100 310	781 500 310	781 800 310	
		230/240 V AC	781 100 313	781 500 313	781 800 313	
VDZ - Dual Circuit Piezo Buzzer continuous/pulsing tone (103/88 dB) tone type externally switchable	12 V AC/DC	782 100 404	782 500 404	782 800 404	R/F	
	24 V AC/DC	782 100 405	782 500 405	782 800 405		
	110/120 V AC	782 100 310	782 500 310	782 800 310		
	230/240 V AC	782 100 313	782 500 313	782 800 313		

Mounting Bases 50 mm us Type 4/4X/13

Type	Description	Specification	Catalog Number
			Black Housing
	BDW Pole Connection Box for VMR for horizontal mounting	NPT 1/2" M20	841 502 900 841 501 900
	BDV Pole Connection Box for VMR for vertical mounting	NPT 1/2" M20 PG 16	841 512 900 841 511 900 841 513 900
	BDM Pole Connection Box for VMR for horizontal magnetic mounting	NPT 1/2" M20 PG 16	841 522 900 841 521 900 841 523 900

R/F - Refer to Factory.
Special Order Only.

^① To complete the catalog no., replace the with one of the following numbers for desired lens color: 1 = Amber, 2 = Red, 4 = Clear, 5 = Blue, 6 = Green, 7 = Yellow.

^② Bulb not included. Order separately on page J39.







^③ Silver housing available in quantities of 100 or more. Contact factory for more information.

Warning Tower Lights






Pole Mounting Bases 50 mm



Type	Description	Specification	Catalog Number			①
			Grey Housing	Black Housing	Silver Housing	
	VMR Pole Mount Base on aluminum tube with plastic foot	5 cm	790 141 900	790 541 900	790 841 900	R/F
		10 cm	790 142 900	790 542 900	790 842 900	
		25 cm	790 143 900	790 543 900	790 843 900	
		40 cm	790 144 900	790 544 900	790 844 900	
	VSW Pole Mount Base on aluminum tube for horizontal mounting with screw	5 cm	790 171 900	790 571 900	790 871 900	R/F
		10 cm	790 172 900	790 572 900	790 872 900	
		25 cm	790 173 900	790 573 900	790 873 900	
		40 cm	790 174 900	790 574 900	790 874 900	
	BSS Set for vertical mounting	for VSW	200 400 900	200 800 900		
	VFR Quick Release Pole Mount on aluminum tube with foot adapter for quick mounting	10 cm	790 182 900	790 582 900	790 882 900	R/F
		25 cm	790 183 900	790 583 900	790 883 900	
		40 cm	790 184 900	790 584 900	790 884 900	
	VMW Base for Horizontal Mounting	M20	790 120 900	790 520 900	790 820 900	R/F
	VNW Base for Horizontal Mounting	1/2" NPT	790 130 900	790 530 900	790 830 900	
	VMV Base for vertical mounting		790 140 900	790 540 900	790 840 900	

Accessories

	Safety Screw Set (5)	All Modules		700 000 900
	Replacement Cap	All Modules	698 803 002	698 803 003
	Replacement Gaskets (5 per bag)	Pole Mount Base Vertical Base Surface Mount Base		698 800 002 698 800 000 698 800 001
	Replacement O-Rings (5 per bag)	Modules, bases, caps		698 800 003




R/F - Refer to Factory.
Special Order Only.

① Silver housing available in quantities of 100 or more. Contact factory for more information.



Light Modules 70 mm

cUL^{us} Type 4/4X/13 CE

Type	Description	Specifications	Catalog Number ❶			
Light Modules			Replace ❷ with Lens Color			
			Grey Housing	Black Housing	Silver Housing	❸
	SLL Steady Light (no bulb) ❷	up to 250 V AC/DC	210 10❸ 900	210 50❸ 900	210 80❸ 900	R/F
	SLB Flashing light (no bulb) ❷	12-24 V AC/DC	220 10❸ 405	220 50❸ 405	220 80❸ 405	
		110/120 V AC	220 10❸ 310	220 50❸ 310	220 80❸ 310	
230/240 V AC		220 10❸ 313	220 50❸ 313	220 80❸ 313		
	SLF Strobe light 3 J Xenon tube included	12-24 V AC/DC	230 10❸ 405	230 50❸ 405	230 80❸ 405	
		110/120 V AC	230 10❸ 310	230 50❸ 310	230 80❸ 310	
		230/240 V AC	230 10❸ 313	230 50❸ 313	230 80❸ 313	
	SDC Integrated LED-steady light	12 V AC/DC	211 10❸ 404	211 50❸ 404	211 80❸ 404	
		24 V AC/DC	211 10❸ 405	211 50❸ 405	211 80❸ 405	
		110/120 V AC	211 10❸ 310	211 50❸ 310	211 80❸ 310	
	SDA Integrated LED-flashing light	230/240 V AC	211 10❸ 313	211 50❸ 313	211 80❸ 313	
		12 V AC/DC	221 10❸ 404	221 50❸ 404	221 80❸ 404	
		24 V AC/DC	221 10❸ 405	221 50❸ 405	221 80❸ 405	
	SDR Integrated LED-rotating light	110/120 V AC	221 10❸ 310	221 50❸ 310	221 80❸ 310	
		230/240 V AC	221 10❸ 313	221 50❸ 313	221 80❸ 313	
		12 V AC/DC	231 10❸ 404	231 50❸ 404	231 80❸ 404	
SDR Integrated LED-rotating light	24 V AC/DC	231 10❸ 405	231 50❸ 405	231 80❸ 405		
	110/120 V AC	231 10❸ 310	231 50❸ 310	231 80❸ 310		
	230/240 V AC	231 10❸ 313	231 50❸ 313	231 80❸ 313		

J

Warning Tower Lights

❶ To complete the catalog no., replace the ❷ with one of the following numbers for desired lens color:
 1 = Amber, 2 = Red, 4 = Clear, 5 = Blue, 6 = Green, 7 = Yellow.
 ❷ Bulb not included. Order separately on page J39.
 ❸ Silver housing only available in quantities of 100 or more. Contact factory for more information.




R/F - Refer to Factory. Special Order Only.



Light & Sound Modules 70 mm ④

cUL_{us} Type 4/4X/13



Type	Description	Specifications	Catalog Number ①			③
			Replace ② with Lens Color			
Light & Sound Modules			Grey Housing	Black Housing	Silver Housing	R/F
	SLP Steady light-Buzzer (no bulb) ② continuous/pulsing tone (107/90 dB)	12 V AC/DC 24 V AC/DC 110/120 V AC 230/240 V AC	250 10 ④ 404	250 50 ④ 404	250 80 ④ 404	
			250 10 ④ 405	250 50 ④ 405	250 80 ④ 405	
			250 10 ④ 310	250 50 ④ 310	250 80 ④ 310	
			250 10 ④ 313	250 50 ④ 313	250 80 ④ 313	
	SLD Steady light-Buzzer (no bulb) ② continuous/pulsing tone (107/90 dB) light/sound separately switchable	12 V AC/DC 24 V AC/DC 110/120 V AC 230/240 V AC	212 10 ④ 404	212 50 ④ 404	212 80 ④ 404	
			212 10 ④ 405	212 50 ④ 405	212 80 ④ 405	
			212 10 ④ 310	212 50 ④ 310	212 80 ④ 310	
			212 10 ④ 313	212 50 ④ 313	212 80 ④ 313	
	SBP Flashing light-Buzzer (no bulb) ② continuous/pulsing tone (107/90 dB)	12 V AC/DC 24 V AC/DC 110/120 V AC 230/240 V AC	260 10 ④ 404	260 50 ④ 404	260 80 ④ 404	
			260 10 ④ 405	260 50 ④ 405	260 80 ④ 405	
			260 10 ④ 310	260 50 ④ 310	260 80 ④ 310	
			260 10 ④ 313	260 50 ④ 313	260 80 ④ 313	
	SFP Strobe light-Buzzer continuous/pulsing tone (107/90 dB) 3 J Xenon tube included	12 V AC/DC 24 V AC/DC 110/120 V AC 230/240 V AC	270 10 ④ 404	270 50 ④ 404	270 80 ④ 404	
			270 10 ④ 405	270 50 ④ 405	270 80 ④ 405	
			270 10 ④ 310	270 50 ④ 310	270 80 ④ 310	
			270 10 ④ 313	270 50 ④ 313	270 80 ④ 313	
	SCP Integrated LED-Steady light-Buzzer continuous/pulsing tone (107/90 dB)	12 V AC/DC 24 V AC/DC 110/120 V AC 230/240 V AC	251 10 ④ 404	251 50 ④ 404	251 80 ④ 404	
			251 10 ④ 405	251 50 ④ 405	251 80 ④ 405	
			251 10 ④ 310	251 50 ④ 310	251 80 ④ 310	
			251 10 ④ 313	251 50 ④ 313	251 80 ④ 313	
	SAP Integrated LED-Flashing light-Buzzer continuous/pulsing tone (107/90 dB)	12 V AC/DC 24 V AC/DC 110/120 V AC 230/240 V AC	261 10 ④ 404	261 50 ④ 404	261 80 ④ 404	
			261 10 ④ 405	261 50 ④ 405	261 80 ④ 405	
			261 10 ④ 310	261 50 ④ 310	261 80 ④ 310	
	SRP Integrated LED-Rotating light-Buzzer continuous/pulsing tone (107/90 dB)	12 V AC/DC 24 V AC/DC 110/120 V AC 230/240 V AC	271 10 ④ 404	271 50 ④ 404	271 80 ④ 404	
			271 10 ④ 405	271 50 ④ 405	271 80 ④ 405	
			271 10 ④ 310	271 50 ④ 310	271 80 ④ 310	
			271 10 ④ 313	271 50 ④ 313	271 80 ④ 313	

- ① To complete the catalog no., replace the ④ with one of the following numbers for desired lens color:
1 = Amber, 2 = Red, 4 = Clear, 5 = Blue, 6 = Green, 7 = Yellow.
- ② Bulb not included. Order separately on page J39.
- ③ Silver housing only available in quantities of 100 or more. Contact factory for more information.
- ④ Sound selectable by DIP switch and adjustable by potentiometer.

R/F - Refer to Factory.
Special Order Only.



Sound Modules 70 mm

cUL^{us} Type 4/4X/13 CE

Type	Description	Specifications	Catalog Number			
Sound Modules			Grey Housing	Black Housing	Silver Housing	①
	SDE Piezo Buzzer continuous/pulsing tone (107/90 dB) ②	12 V AC/DC	247 100 404	247 500 404	247 800 404	R/F
		24 V AC/DC	247 100 405	247 500 405	247 800 405	
		110/120 V AC	247 100 310	247 500 310	247 800 310	
		230/240 V AC	247 100 313	247 500 313	247 800 313	
	SDZ Piezo Buzzer continuous/pulsing tone (107/90 dB) ② tone type externally switchable	12 V AC/DC	248 100 404	248 500 404	248 800 404	
		24 V AC/DC	248 100 405	248 500 405	248 800 405	
		110/120 V AC	248 100 310	248 500 310	248 800 310	
		230/240 V AC	248 100 313	248 500 313	248 800 313	
	SPE Piezo Buzzer continuous or pulsing tone (97/81 dB) ③ IP 54	12 V AC/DC	243 100 404	243 500 404	243 800 404	
		24 V AC/DC	243 100 405	243 500 405	243 800 405	
		110/120 V AC	243 100 310	243 500 310	243 800 310	
		230/240 V AC	243 100 313	243 500 313	243 800 313	
	SPZ Piezo Buzzer continuous or pulsing tone (97/81 dB) ③ tone type externally switchable IP 54	12 V AC/DC	244 100 404	244 500 404	244 800 404	
		24 V AC/DC	244 100 405	244 500 405	244 800 405	
		110/120 V AC	244 100 310	244 500 310	244 800 310	
		230/240 V AC	244 100 313	244 500 313	244 800 313	
	STE Electronic Sounder 15 tone types (64-103 dB) ③	12-24 V AC/DC	241 100 405	241 500 405	241 800 405	
		110/120 V AC	241 100 310	241 500 310	241 800 310	
		230/240 V AC	241 100 313	241 500 313	241 800 313	
	STZ Electronic Sounder 15 tone types (64-103 dB) ③ 2 tones externally switchable	12-24 V AC/DC	242 100 405	242 500 405	242 800 405	
		110/120 V AC	242 100 310	242 500 310	242 800 310	
		230/240 V AC	242 100 313	242 500 313	242 800 313	

J
Warning Tower Lights

R/F - Refer to Factory.
Special Order Only.

① Silver housing only available in quantities of 100 or more. Contact factory for more information.
 ② Tone type selectable by DIP switch.
 ③ Sound pressure adjustable by potentiometer.



Mounting Bases 70 mm

cUL_{us} Type 4/4X/13 CE

Type	Description	Specification	Catalog Number			
Bases			Grey Housing	Black Housing	Silver Housing	①
	BNW Base for Horizontal Mounting BMW Base for Horizontal Mounting BPW Base for Horizontal Mounting	NPT 1/2"	200 130 900	200 530 900	200 830 900	R/F
		M20	200 100 900	200 500 900	200 800 900	
		PG16	200 120 900	200 520 900	200 820 900	
	BMV Base for vertical mounting		200 200 900	200 600 900	200 820 900	
	BMR Pole Mount Base on aluminum tube with plastic foot	5 cm	200 301 900	200 701 900	200 801 900	R/F
		10 cm	200 302 900	200 702 900	200 802 900	
		25 cm	200 303 900	200 703 900	200 803 900	
		40 cm	200 304 900	200 704 900	200 804 900	
	BDW Pole Connection Box for BMR for horizontal mounting	NPT 1/2" M20 PG 16		841 502 900 841 501 900 841 503 900		R/F
	BDV Pole Connection Box for BMR for vertical mounting	NPT 1/2" M20 PG 16		841 512 900 841 511 900 841 513 900		
	BDM Pole Connection Box for BMR for horizontal magnetic mounting	NPT 1/2" M20 PG 16		841 522 900 841 521 900 841 523 900		
	BSR Pole Mount Base on stainless steel tube with zinc die cast foot powder coated	5 cm	200 311 900	200 711 900	200 811 900	R/F
		10 cm	200 312 900	200 712 900	200 812 900	
		25 cm	200 313 900	200 713 900	200 813 900	
		40 cm	200 314 900	200 714 900	200 814 900	
	BWS Pole Mount Base on aluminum tube for horizontal mounting with screw	5 cm	200 331 900	200 731 900	200 831 900	R/F
		10 cm	200 332 900	200 732 900	200 832 900	
		25 cm	200 333 900	200 733 900	200 833 900	
		40 cm	200 334 900	200 734 900	200 834 900	
	BSS Set for vertical mounting	for BWS	200 400 900	200 800 900		
	BFR Quick Release Pole Mount Base on aluminum tube with foot adapter for quick mounting	10 cm	200 342 900	200 742 900	200 842 900	R/F
		25 cm	200 343 900	200 743 900	200 843 900	
		40 cm	200 344 900	200 744 900	200 844 900	

Warning Tower Lights

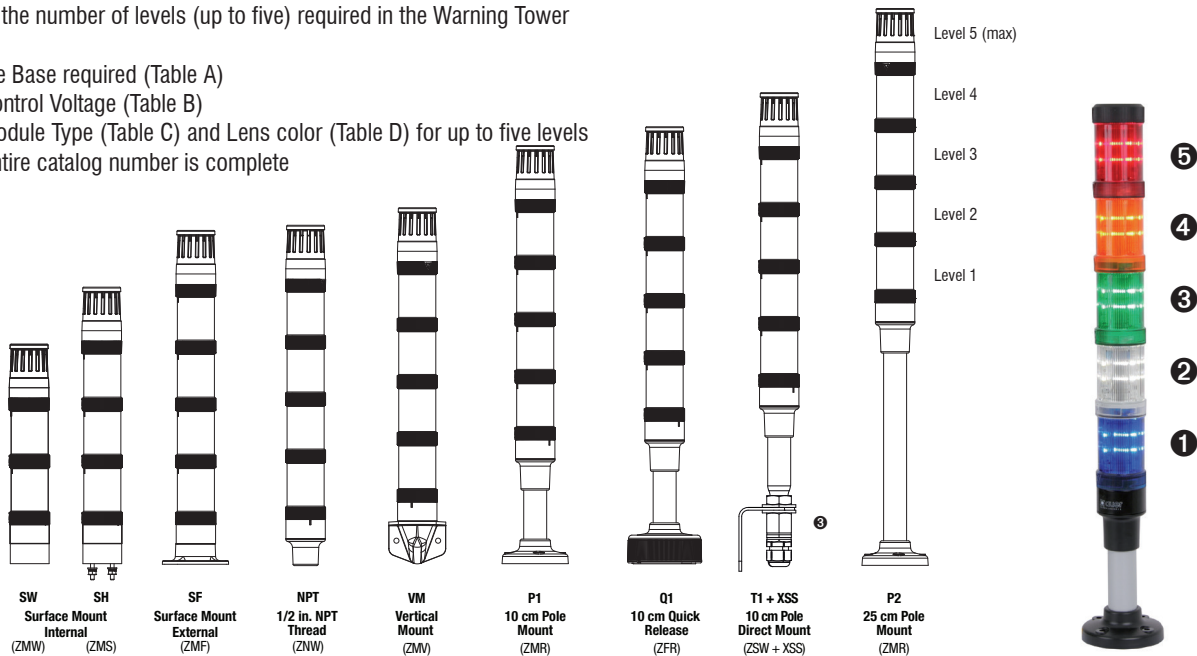
R/F - Refer to Factory.
Special Order Only.

① Silver housing only available in quantities of 100 or more. Contact factory for more information.



Ordering Instructions

- 1) Determine the number of levels (up to five) required in the Warning Tower Light
- 2) Choose the Base required (Table A)
- 3) Choose Control Voltage (Table B)
- 4) Choose Module Type (Table C) and Lens color (Table D) for up to five levels until the entire catalog number is complete



	Level One		Level Two		Level Three		Level Four		Level Five			
	A	B	C	D	C	D	C	D	C	D		
ECO40 –	P1	B	24	L	4	Y	3	Y	5	Y	7	P

Warning Tower Lights

Table A - Base Type

Catalog Code	Description
VM	Vertical Mount
SF	Surface Mount - External mounting holes
SW	Surface Mount - Internal mounting holes
SH	Surface Mount - w/pre-installed mounting hardware
NPT	Pole Mount 1/2" NPT Thread
P1	Pole Mount Base - 10cm (4") aluminum tube w/cap
P2	Pole Mount Base - 25cm (9-7/8") aluminum tube w/cap
P4	Pole Mount Base - 40cm (15*3/4") aluminum tube w/cap
T1	Direct Mount Base - 10cm (4") alum. threaded tube
T2	Direct Mount Base - 25cm (9-7/8") alum. threaded tube
T4	Direct Mount Base - 40cm (15*3/4") alum. threaded tube
Q1	Quick Release Pole Base - 10cm aluminum tube w/ foot adapter
Q2	Quick Release Pole Base - 20cm aluminum tube w/ foot adapter
Q4	Quick Release Pole Base - 40cm aluminum tube w/ foot adapter

Table B - Control Voltage

Catalog Code	Description
24	24 V AC/DC
10	120 V AC
20	240 V AC

Table C - Module Type ①②

Catalog Code	Description
D	Steady Incandescent
Y	Steady LED
L	Flashing LED
B	Strobe LED - single flash
S	Strobe LED - multi flash
P	Piezo sound alarm, continuous/pulsing tone

Table D - Lens Color/Sound ④



Catalog Code	Description
1	Sound Module
3	Green
4	Red
5	Amber
6	Blue
7	Clear
8	Yellow

- ① Sound Module (P) must be on the top-most level (5), they must be configured with Lens Color / Sound Code 1, and only one sound module is allowed per assembly.
- ② Light Module types can only be configured with Lens Color Codes 3, 4, 5, 6, 7 or 8.
- ③ Vertical mount accessories (XSS) sold separately.
- ④ Lens color codes for assembled towers do not correspond with color codes for ordering individual beacon modules as components.



Modules 40 mm ECO

cUL^{us} Type 4/4X/13 CE

Type	Description	Specifications	Catalog Number ❶
Light Modules			Replace ⚙ with Lens Color
	ZLL Steady Light (no bulb) ❷	up to 250 V AC/DC	902 00⚙ 900
	ZDC Integrated LED-steady light	24 V AC/DC 110/120 V AC 230/240 V AC	902 01⚙ 405 902 01⚙ 310 902 01⚙ 313
	ZDA Integrated LED-flashing light	24 V AC/DC 110/120 V AC 230/240 V AC	902 02⚙ 405 902 02⚙ 310 902 02⚙ 313
	ZDF Integrated LED-strobe light	24 V AC/DC 110/120 V AC 230/240 V AC	902 03⚙ 405 902 03⚙ 310 902 03⚙ 313
	ZFF Integrated LED-multi-strobe light light	24 V AC/DC 110/120 V AC 230/240 V AC	902 04⚙ 405 902 04⚙ 310 902 04⚙ 313
Buzzers and Sirens			Black Housing
	ZDE Piezo Buzzer continuous or pulsing tone (80 dB)	24 V AC/DC 110/120 V AC 230/240 V AC	902 500 405 902 500 310 902 500 313

❶ To complete the catalog no., replace the ⚙ with one of the following numbers for desired lens color:

1 = Amber, 2 = Red, 4 = Clear, 5 = Blue, 6 = Green, 7 = Yellow.

❷ Bulb not included. Order separately on page J39.





Mounting Bases 40 mm ECO

cUL^{us} Type 4/4X/13 CE

Type	Description	Specifications	Catalog Number
			Black Housing
	ZMW Base for horizontal mounting	Internal mounting holes	902 570 900
	ZMS Base for horizontal mounting	pre-mounted fixation screws	902 571 900
	ZMF Surface Mount Base for horizontal mounting	external mounting holes	902 572 900
	ZMV Base for vertical mounting	single sided	902 573 900
	ZZV Base for vertical mounting	double sided	902 574 900
	ZNW Pole Mount Base for tube	1/2" NPT Thread	902 570 950
	ZMR Pole Mount Base on aluminum tube with plastic foot	10 cm	902 582 900
		25 cm	902 583 900
		40 cm	902 584 900
	XWR Bracket for pole mount with plastic foot	for XMR, YMR, ZMR	900 600 900
	ZSW Pole Mount Base on aluminum tube for horizontal mounting with screw	10 cm	902 592 900
		25 cm	902 593 900
		40 cm	902 594 900
	XSS Set for vertical mounting includes metal bracket & cable gland	for XSW, YSW, ZSW	900 700 900
	ZFR Quick Release Pole Mount Base on aluminum tube with foot adapter for quick mounting	10 cm	902 562 900
		25 cm	902 563 900
		40 cm	902 564 900
	ZEP Base Extension 100mm long	fits all bases	902 800 900

Warning Tower Lights

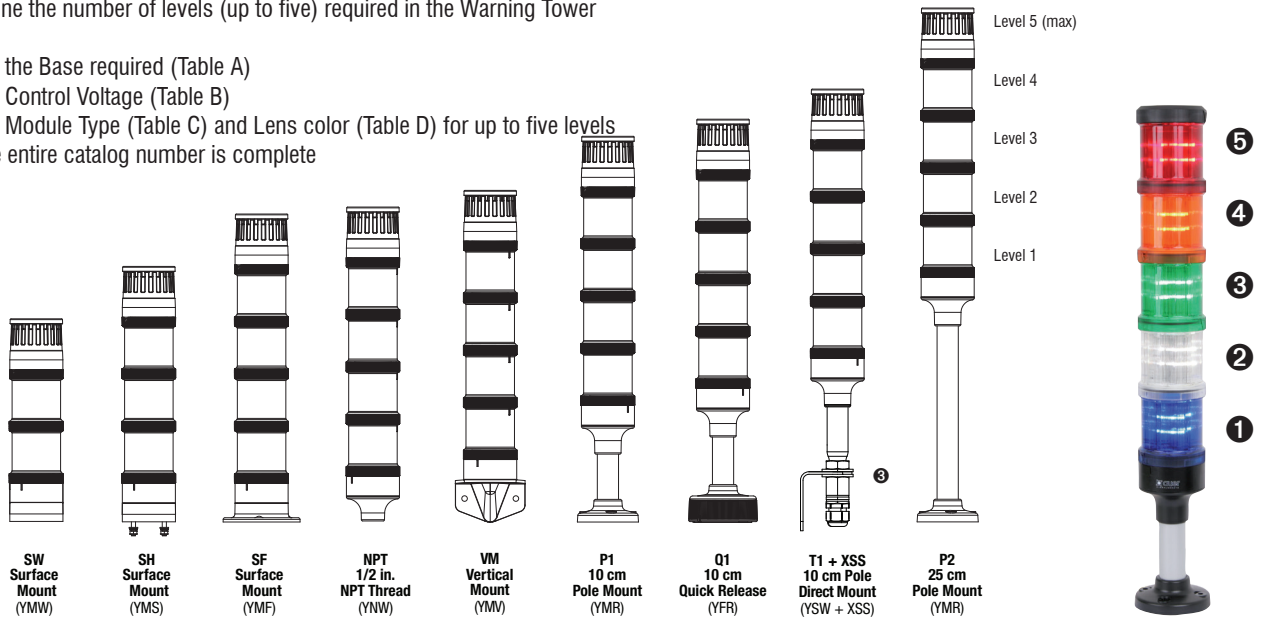
Accessories

	XIB Indication Board	fits all pole bases	900 850 900
	LWW Bulb Changing Tool	optional	890 900 900



Ordering Instructions

- 1) Determine the number of levels (up to five) required in the Warning Tower Light
- 2) Choose the Base required (Table A)
- 3) Choose Control Voltage (Table B)
- 4) Choose Module Type (Table C) and Lens color (Table D) for up to five levels until the entire catalog number is complete



ECO60 –	Level One		Level Two		Level Three		Level Four		Level Five				
	A	B	C	D	C	D	C	D	C	D			
	SF	B	10	Y	3	L	5	B	3	L	7	YH	6

Catalog Code	Description
VM	Vertical Mount
SF	Surface Mount - External mounting holes
SW	Surface Mount - Internal mounting holes
SH	Surface Mount - w/pre-installed mounting hardware
NPT	Pole Mount 1/2" NPT Thread
P1	Pole Mount Base - 10cm (4") aluminum tube w/cap
P2	Pole Mount Base - 25cm (9-7/8") aluminum tube w/cap
P4	Pole Mount Base - 40cm (15*3/4") aluminum tube w/cap
T1	Direct Mount Base - 10cm (4") alum. threaded tube
T2	Direct Mount Base - 25cm (9-7/8") alum. threaded tube
T4	Direct Mount Base - 40cm (15*3/4") alum. threaded tube
Q1	Quick Release Pole Base - 10cm aluminum tube w/ foot adapter
Q2	Quick Release Pole Base - 20cm aluminum tube w/ foot adapter
Q4	Quick Release Pole Base - 40cm aluminum tube w/ foot adapter

Catalog Code	Description
24	24 V AC/DC
10	120 V AC
20	240 V AC

Catalog Code	Description
D	Steady Incandescent
Y	Steady LED
L	Flashing LED
B	Strobe LED - single flash
YH	High Performance Steady LED ④
SH	High Performance Multi-Strobe LED ④
P	Piezo sound alarm, continuous/pulsing tone



Catalog Code	Description
1	Sound Module
3	Green
4	Red
5	Amber
6	Blue
7	Clear
8	Yellow

- ① Sound Module (P) must be on the top-most level (5), they must be configured with Lens Color / Sound Code 1, and only one sound module is allowed per assembly.
- ② Light Module types can only be configured with Lens Color Codes 3, 4, 5, 6, 7 or 8.
- ③ Vertical mount accessories (XSS) sold separately.
- ④ High Performance modules available in 24VAC/DC only, therefore the complete tower assembly must be 24VAC/DC.
- ⑤ Lens color codes for assembled towers do not correspond with color codes for ordering individual beacon modules as components.



Modules 60 mm ECO

c(UL)us Type 4/4X/13 CE

Type	Description	Specifications	Catalog Number ❶	
Light Modules			Replace ❷ with Lens Color	
	YLL Steady Light (no bulb) ❷	up to 250 V AC/DC	901 00❸ 900	
	YDC Integrated LED-steady light	24 V AC/DC 110/120 V AC 230/240 V AC	901 01❸ 405 901 01❸ 310 901 01❸ 313	
	YDA Integrated LED-flashing light	24 V AC/DC 110/120 V AC 230/240 V AC	901 02❸ 405 901 02❸ 310 901 02❸ 313	
	YDF Integrated LED-strobe light	24 V AC/DC 110/120 V AC 230/240 V AC	901 03❸ 405 901 03❸ 310 901 03❸ 313	
	High Performance Light Modules			
	YDC-HP Integrated LED-steady light	24 V AC/DC	901 05❸ 405	
	YFF-HP Integrated LED-multi strobe light	24 V AC/DC	901 07❸ 405	
Buzzers and Sirens			Black Housing	
	YDE Piezo Buzzer continuous or pulsing tone (90 dB) ❸	24 V AC/DC 110/120 V AC 230/240 V AC	901 500 405 901 500 310 901 500 313	

J

Warning Tower Lights

❶ To complete the catalog no., replace the ❷ with one of the following numbers for desired lens color:

❶ = Amber, ❷ = Red, ❸ = Clear, ❹ = Blue, ❺ = Green, ❻ = Yellow.

❷ Bulb not included. Order separately on page J39.

❸ Sound pressure adjustable by potentiometer.





Mounting Bases 60 mm ECO

cUL_{us} Type 4/4X/13 CE

Type	Description	Specifications	Catalog Number
			Black Housing
	YMW Base for horizontal mounting	Internal mounting holes	901 570 900
	YMS Base for horizontal mounting	pre-mounted fixation screws	901 571 900
	YMF Surface Mount Base for horizontal mounting	external mounting holes	901 572 900
	YMV Base for vertical mounting	single sided	901 573 900
	YZV Base for vertical mounting	double sided	901 574 900
	YNW Pole Mount Base for tube	1/2" NPT Thread	901 570 950
	YMR Pole Mount Base on aluminum tube with plastic foot	10 cm	901 582 900
		25 cm	901 583 900
		40 cm	901 584 900
	XWR Bracket for pole mount with plastic foot	for XMR, YMR, ZMR	900 600 900
	YSW Pole Mount Base on aluminum tube for horizontal mounting with screw	10 cm	901 592 900
		25 cm	901 593 900
		40 cm	901 594 900
	XSS Set for vertical mounting includes metal bracket and cable gland	for XSW, YSW, ZSW	900 700 900
	YFR Quick Release Pole Mount Base on aluminum tube with foot adapter for quick mounting	10 cm	901 562 900
		25 cm	901 563 900
		40 cm	901 564 900
	YEP Base Extension 100mm long	fits all bases	901 800 900

Accessories

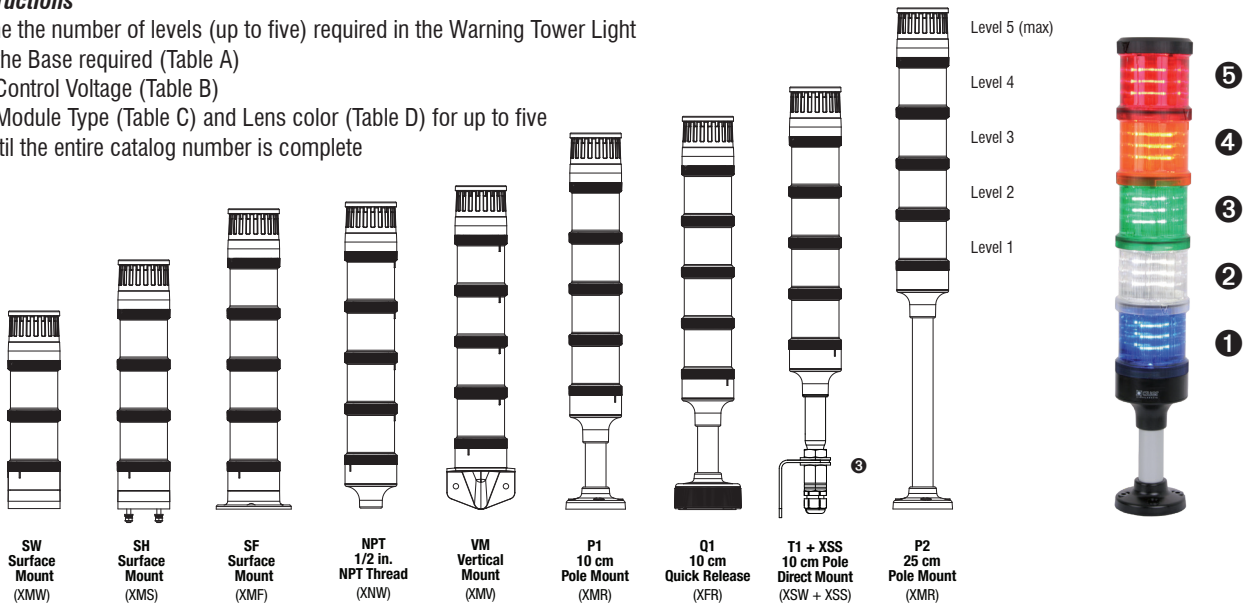
	XIB Indication Board	fits all pole bases	900 850 900
	LWW Bulb Changing Tool	optional	890 900 900

J
Warning Tower Lights



Ordering Instructions

- 1) Determine the number of levels (up to five) required in the Warning Tower Light
- 2) Choose the Base required (Table A)
- 3) Choose Control Voltage (Table B)
- 4) Choose Module Type (Table C) and Lens color (Table D) for up to five levels until the entire catalog number is complete



EC070 –	Level One		Level Two		Level Three		Level Four		Level Five				
	A	B	C	D	C	D	C	D	C	D			
	SF	B	10	Y	3	L	5	B	3	L	7	Y	6

Warning Tower Lights

Table A - Base Type

Catalog Code	Description
VM	Vertical Mount
SF	Surface Mount - External mounting holes
SW	Surface Mount - Internal mounting holes
SH	Surface Mount - w/pre-installed mounting hardware
NPT	Pole Mount 1/2" NPT Thread
P1	Pole Mount Base - 10cm (4") aluminum tube w/cap
P2	Pole Mount Base - 25cm (9-7/8") aluminum tube w/cap
P4	Pole Mount Base - 40cm (15*3/4") aluminum tube w/cap
T1	Direct Mount Base - 10cm (4") alum. threaded tube
T2	Direct Mount Base - 25cm (9-7/8") alum. threaded tube
T4	Direct Mount Base - 40cm (15*3/4") alum. threaded tube
Q1	Quick Release Pole Base - 10cm aluminum tube w/ foot adapter
Q2	Quick Release Pole Base - 20cm aluminum tube w/ foot adapter
Q4	Quick Release Pole Base - 40cm aluminum tube w/ foot adapter

Table B - Control Voltage

Catalog Code	Description
24	24 V AC/DC
10	120 V AC
20	240 V AC

Table C - Module Type ①②

Catalog Code	Description
D	Steady Incandescent
Y	Steady LED
L	Flashing LED
B	Strobe LED - single flash
YH	High Performance Steady LED ④
BH	High Performance Strobe LED - single flash ④
SH	High Performance Multi-Strobe LED ④
P	Piezo sound alarm, single circuit
Q	Piezo sound alarm, dual circuit cont/pulsing tone ⑤
Z	Siren, 8 tone

Table D - Lens Color/Sound ⑥

Catalog Code	Description
1	Sound Module
3	Green
4	Red
5	Amber
6	Blue
7	Clear
8	Yellow

① Sound Modules (P, Q, Z) must be on the top-most level (4 or 5) and must be configured with Lens Color / Sound Code 1. Only one sound module per assembly. If Dual Sound (Q) is selected, a maximum of three light modules is possible.

② Light Module types can only be configured with Lens Color Codes 3, 4, 5, 6, 7 or 8.

③ Vertical mount accessories (XSS) sold separately.



④ High Performance modules available in 24VAC/DC only, therefore the complete tower assembly must be 24VAC/DC.

⑥ Lens color codes for assembled towers do not correspond with color codes for ordering individual beacon modules as components.



Modules 70 mm ECO

c(UL)us Type 4/4X/13 CE

Type	Description	Specifications	Catalog Number ❶	
Light Modules			Replace ⚙ with Lens Color	
	XLL Steady Light (no blub) ❷	up to 250 V AC/DC	900 00 ⚙ 900	
	XDC Integrated LED-steady light	24 V AC/DC 110/120 V AC 230/240 V AC	900 01 ⚙ 405 900 01 ⚙ 310 900 01 ⚙ 313	
	XDA Integrated LED-flashing light	24 V AC/DC 110/120 V AC 230/240 V AC	900 02 ⚙ 405 900 02 ⚙ 310 900 02 ⚙ 313	
	XDF Integrated LED-strobe light	24 V AC/DC 110/120 V AC 230/240 V AC	900 03 ⚙ 405 900 03 ⚙ 310 900 03 ⚙ 313	
	High Performance Light Modules			
	XDC-HP Integrated LED-steady light	24 V AC/DC	900 05 ⚙ 405	
	XDF-HP Integrated LED-strobe light	24 V AC/DC	900 06 ⚙ 405	
	XFF-HP Integrated LED-multi strobe	24 V AC/DC	900 07 ⚙ 405	
Buzzers and Sirens			Black Housing	
	XDE Piezo Buzzer continuous or pulsing tone (100 dB) ❸ single circuit	24 V AC/DC 110/120 V AC 230/240 V AC	900 500 405 900 500 310 900 500 313	
	XDZ Piezo Buzzer continuous and pulsing tone (100 dB) ❸ externally addressable dual circuit	24 V AC/DC 110/120 V AC 230/240 V AC	900 510 405 900 510 310 900 510 313	
	XDM Multitone siren 8 tones selectable (100 dB) ❸ volume control	24 V AC/DC 110/120 V AC 230/240 V AC	900 520 405 900 520 310 900 520 313	

❶ To complete the catalog no., replace the ⚙ with one of the following numbers for desired lens color:

1 = Amber, 2 = Red, 4 = Clear, 5 = Blue, 6 = Green, 7 = Yellow.

❷ Bulb not included. Order separately on page J39.

❸ Sound pressure adjustable by potentiometer.





Mounting Bases 70 mm ECO

cUL^{us} Type 4/4X/13 CE

Type	Description	Specifications	Catalog Number
			Black Housing
	XMW Base for horizontal mounting	internal mounting holes	900 570 900
	XMS Base for horizontal mounting	pre-mounted fixation screws	900 571 900
	XMF Surface Mount Base for horizontal mounting	external mounting holes	900 572 900
	XMV Base for vertical mounting	single sided	900 573 900
	XZV Base for vertical mounting	double sided	900 574 900
	XNW Pole Mount Base for tube	1/2" NPT Thread	900 570 950
	XMR Pole Mount Base on aluminum tube with plastic foot	10 cm	900 582 900
		25 cm	900 583 900
		40 cm	900 584 900
	XWR Bracket for pole mount with plastic foot	for XMR, YMR, ZMR	900 600 900
	XSW Pole Mount Base on aluminum tube for horizontal mounting with screw	10 cm	900 592 900
		25 cm	900 593 900
		40 cm	900 594 900
	XSS Set for vertical mounting includes metal bracket and cable gland	for XSW, YSW, ZSW	900 700 900
	XFR Quick Release Pole Mount Base on aluminum tube with foot adapter for quick mounting	10 cm	900 562 900
		25 cm	900 563 900
		40 cm	900 564 900
	XEP Base Extension 100mm long	fits all bases	900 800 900

Accessories

	XIB Indication Board	fits all pole bases	900 850 900
	LWW Bulb Changing Tool	optional	890 900 900

Warning Tower Lights



Auer Signal

**Factory Assembled in
Vienna, Austria**



Auer products are built using the latest design and manufacturing techniques. Camera controlled SMD machines (for placing surface mount devices), ultrasonic welding machines, test robots, as well as the latest software for 3D modeling, mold flow analysis and stereolithography, assure that Auer products remain world class. In addition, the company's manufacturing operations are certified to ISO 9001.

The versatile and economical line of preassembled tower lights supplied by Auer Signal are factory assembled in Vienna, Austria. Auer signaling products combine state-of-the-art technology with high product quality, approvals for the world market and attractive, competitive pricing.



halfDOME90

Signal tower series halfDOME90 is suitable for universal applications and offer convenient features:

- Easy, fast and individual mounting of halfDOME
- Slim, sleek housing - 45mm wide - fitting almost any machine or equipment panel
- Variety of color and sound combinations in two to five levels
- Specially designed lens coating allows for 180 degrees of visual signaling

See the HalfDOME90 Assembly worksheet for ordering instructions. Individual components are not available.

COMPACT30

All COMPACT30 are specifically built to meet the customer's needs. Features include:

- High-grade impact resistant material
- Multiple combinations of lenses, voltages and illumination types
- Quick Release tube base adapter
- Flexible and easy to install.

See the COMPACT30 Assembly worksheet for ordering instructions. Individual components are not available.

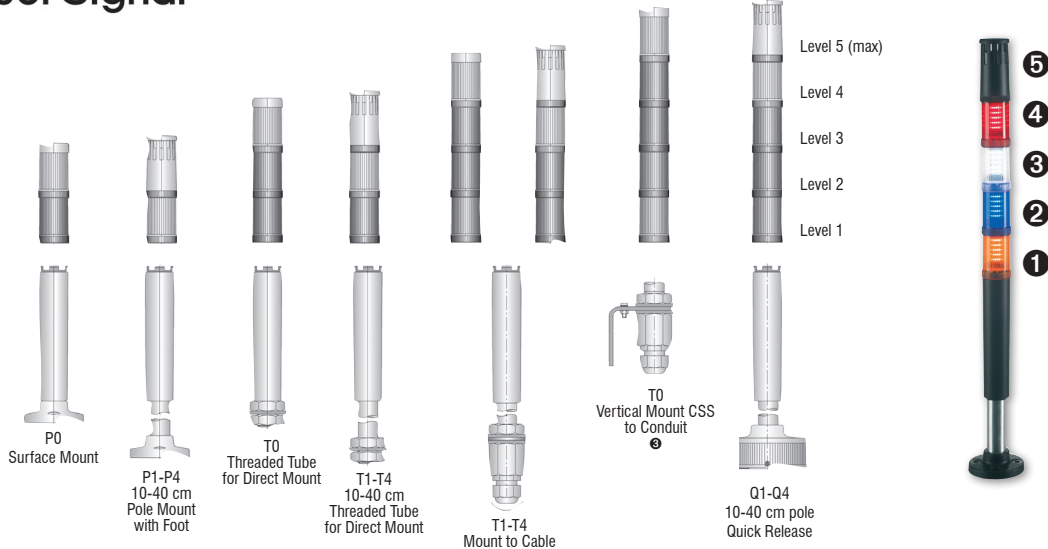
J
Warning Tower Lights



Auer Signal

Signal Towers

COMPACT30 Complete Assemblies



Important Note:
COMPACT30 towers are factory assembled. Modules and bases are not removable.



Type 4 / 4X / 13

C30	Level One		Level Two		Level Three		Level Four		Level Five					
	A	B	C	D	E	F	E	F	E	F				
	P1	C1	B	24	B	1	L	5	L	4	B	2	DP	

Warning Tower Lights

Table A - Base Type	
Catalog Code	Description
P0	Surface Mount
P1	Pole Mount Base - 10cm aluminum tube with foot
P2	Pole Mount Base - 25cm aluminum tube with foot
P4	Pole Mount Base - 40cm aluminum tube with foot
T0	Direct Mount Base - 0cm M20 metric threaded tube
T1	Direct Mount Base - 10cm M20 metric threaded tube
T2	Direct Mount Base - 25cm M20 metric threaded tube
T4	Direct Mount Base - 40cm M20 metric threaded tube
Q0	Quick Release Mount Base
Q1	Quick Release Pole Base - 10cm aluminum tube w/ foot adapter
Q2	Quick Release Pole Base - 25cm aluminum tube w/ foot adapter
Q4	Quick Release Pole Base - 40cm aluminum tube w/ foot adapter

Table B - Cable Connector and Length	
Catalog Code	Description
C1	Stranded cable, 1m, yellow jacket
C2	Stranded cable, 2m, yellow jacket
C3	Stranded cable, 3m, yellow jacket

Table C - Housing Color	
Catalog Code	Description
B	Black
G	Gray

Table D - Voltage	
Catalog Code	Description
24	24V AC/DC Full Voltage
10	110/120V AC Full Voltage
20	230/240 V AC Full Voltage

Table E - Module Type	
Catalog Code	Description
L	Steady LED
B	Flashing LED
DD	Piezo sound alarm, continuous tone ①
DP	Piezo sound alarm, pulsing tone ①
DZ	Dual circuit piezo sound alarm ①

Table F - Lens Color/Sound	
Catalog Code	Description
Blank	Sound Module ①
1	Amber
2	Red
4	Clear
5	Blue
6	Green
7	Yellow

Accessories (Order Separately)		
	CSS Vertical Mounting Bracket	Black - 700530900 Gray - 700130900

- ① Sound Module types (DD, DP, DZ) must be on the top-most level. Only one sound module is allowed per assembly. If selection dual circuit sound module (DZ), the maximum number of light modules allowed is three. Two module spaces are required for the dual circuit sound module.
- ② Light Module types (L, B) can only be configured with Lens Color / Sound Codes 1, 2, 4, 5, 6 or 7.
- ③ Vertical Mounting Bracket for conduit mount sold separately.



Ordering Instructions

- 1) Determine the number of levels (from two to five) required in the Half Dome Warning Light
- 2) Choose the Housing color (Table B)
- 3) Choose the control voltage (Table C)
- 4) Choose Module Type (Table D) and Lens color (Table E), for two to five levels
- 4) Choose Sound Module (Table F) or leave blank



Important Note:
HalfDOME90 towers are factory assembled. Modules and bases are not removable.

UL^{us} CE
 Type 4 / 4X / 13

90 mm halfDOME Complete Assemblies

Choose Two to Five Levels	Level One		Level Two		Level Three		Level Four		Level Five		Sound		
	B	C	D	E	D	E	D	E	D	E	F		
HD	C	24	L	6	L	7	B	2	L	5	L	4	DZ

Catalog Code	Description
G	Gray
C	Chrome Plated
B	Black

Catalog Code	Description
24	24V AC/DC Full Voltage
10	110/120V AC Full Voltage
20	230/240V AC Full Voltage

Catalog Code	Description
1	Amber
2	Red
4	Clear
5	Blue
6	Green
7	Yellow

Catalog Code	Description
L	Steady LED
B	Flashing LED

Catalog Code	Description
blank	No sound
DZ	Piezo sounder (continuous/pulsing) ①

Warning Tower Lights

① Sound volume individually adjustable from 70-90dB.

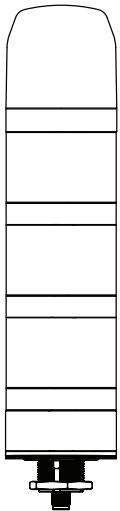


Stack Modules up to 7 levels

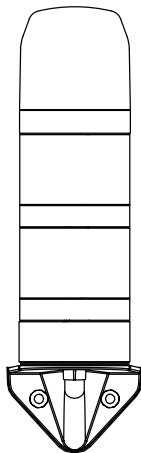


Ordering Instructions

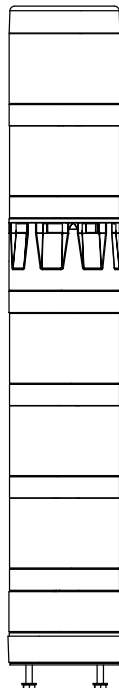
- 1) Determine the number of levels (up to seven) required in the Warning Tower Light
- 2) Choose the Base required (Table A)
- 3) Choose Base & Cap color (Table B) and control voltage (Table C)
- 4) Choose Module Type (Table D) and Lens color (Table E) for up to seven levels until the entire catalog number is complete



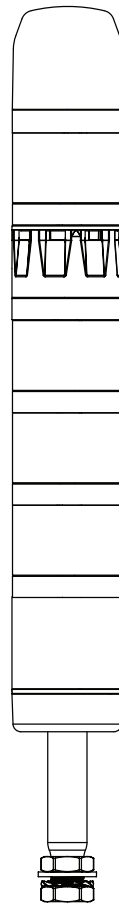
PC7 MC5 Base with Integrated 5-pin or 8-pin M12 Connector



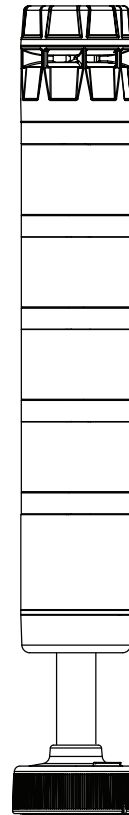
PC7 MV Base for Vertical Mounting



PC7 MS Base for Horizontal Mounting with Pre-mounted fixing screws



PC7 RS Aluminium tube base with mounting screw



PC7 FR Quick Mounting System (max 5 modules)



Level Seven (max)
Level Six
Level Five
Level Four
Level Three
Level Two
Level One
Upper Base
Base

J Warning Tower Lights

		Level One		Level Two		Level Three		Level Four		Level Five		Level Six		Level Seven				
PC7 -		A	B	C	D	E	D	E	D	E	D	E	D	E	D	E		
		S	B	H7	S	7	S	8	Z	~	F	7	S	1	F	5	TR	2



Table A - Base Type (includes cap)

Catalog Code	Description	Max Modules
X	Modules only (no base)	
W	PC7 MW Base for horizontal mounting, with NPT 1/2" thread , Internal mounting holes	7
S	PC7 MS Base for horizontal mounting with pre-mounted fixing screws	7
V	PC7 MV Base for vertical mounting	7

L1	PC7 MR Aluminium tube base with plastic foot	100 mm	7
L2		250 mm	7
L3		400 mm	7
L4		600 mm	7

Q1	PC7 FR "Foot adapter" quick mounting system on aluminium tube ❶	100 mm	5
Q2		250 mm	5

T1	PC7 RS Aluminium tube base with mounting screw	100 mm	7
T2		250 mm	7
T3		400 mm	7

No Upper Part Needed

B5	PC7 MC5 Base with integrated 5-pin M12 connector ❷	4
B8	PC7 MC8 Base with integrated 8-pin M12 connector ❷	7

Table B - Base & Cap Color

Catalog Code	Description
B	Black

Table C - Voltage

Catalog Code	Description
L7	PC7 BLV Low Voltage Base for 24 V AC/DC with up to 7 modules
H3	PC7 BHV3 High Voltage Base for 120-240 V AC with up to 3 modules
H7	PC7 BHV7 High Voltage Base for 120-240 V AC with up to 7 modules

Table D - Module Type ❹

Catalog Code	Description
TS	PC7 DCB Top LED steady light, flashing light
TF	PC7 DFB Top LED multi-functional module: steady / flashing / strobe / double strobe
TR	PC7 DRB Top LED rotating beacon
TM	PC7 DMB Top LED multi color module ❸
S	PC7 DC In-line LED steady light
F	PC7 DF In-line LED multi-functional module: steady / flashing / strobe / double strobe
R	PC7 DR In-line LED rotating beacon fast or slow
M	PC7 DM In-line LED multi color module ❸
T7	PC7 TD Top 105 dB Multi-tone module 1 to 112 can be switched externally
T1	PC7 ZM Top 105 dB Multi-tone module 1 of 8 tones can be switched externally
Z	PC7 ZI In-line 102 dB Multi-tone module 1 of 8 tones can be switched externally
TV	PC7 VS Top 95 dB recordable voice/mp3 sound module can be controlled externally

Table E - Lens Color

Catalog Code	Description
~	Sound Module
0	Multi-color ❸
1	Amber
2	Red
4	Clear
5	Blue
6	Green
7	Yellow
8	Magenta

❶ Supports up to 5 modules

❷ Only supports 24 VAC/DC










❸ Multi color module switches between colors turquoise, red, white, blue, green, yellow, magenta. Specify color "0" in Table E.

❹ "Top" labeled modules must be in the last position of the tower



Modules 70 mm PC7

cUL_{us} Type 4/4X/13 CE IP66

Type	Description	Specifications	Catalog Number ① Replace ② with Lens Color
Light Modules			
 Top only (910 115 405 module shown)	DCB LED (steady light / flashing light module)	24 AC/DC 120-240 V AC ②	910 11② 405
	DFB LED multi-functional module (steady / flashing / strobe / double strobe)		910 12② 405
	DRB LED rotating beacon (fast or slow)		910 13② 405
	DMB LED multi color module switches between colors turquoise, red, white, blue, green, yellow, magenta (steady)		910 140 405
 Inline (910 012 405 module shown)	DC LED steady light	24 AC/DC 120-240 V AC ②	910 01② 405
	DF LED multi-functional module (steady / flashing / strobe / double strobe)		910 02② 405
	DR LED rotating beacon (fast or slow)		910 03② 405
	DM LED multi color module switches between colors turquoise, red, white, blue, green, yellow, magenta (steady)		910 040 405
Sound Modules			
 Top	TD Top Multi-tone 105 dB sounder module with 16 tone groups of 7 signal tones = 112 possible tones can be switched externally	24 AC/DC 120-240 V AC ②	910 530 405
 Top	ZM Top Multi-tone 105 dB sounder module 1 of 8 tones can be switched externally	24 AC/DC 120-240 V AC ②	910 510 405
 Inline	ZI Inline Multi-tone 102 dB sounder module 1 of 8 tones can be switched externally	24 AC/DC 120-240 V AC ②	910 520 405
 Top	VS Top Recordable 95 dB voice/mp3 sound module 1 of 7 voice messages/melodies can be controlled externally	24 AC/DC 120-240 V AC ②	910 540 405
Transformers			
	BLV Low-voltage upper base section, up to 7 modules	24 V AC/DC	910 771 405
	BHV3 High-voltage upper base section, up to 3 modules	120-240 V AC	910 772 313
	BHV7 High-voltage upper base section, up to 7 modules	120-240 V AC	910 773 313









① To complete the catalog no., replace ② with one of the following numbers for desired lens color:

1 = Amber, 2 = Red, 4 = Clear, 5 = Blue, 6 = Green, 7 = Yellow, 8 = Magenta






② 120-240 V AC available with a high-voltage upper base module when combined with 120-240 V AC base transformer.



Mounting Bases 70 mm PC7 us Type 4/4X/13 IP66

Type	Description	Specification	Catalog Number
	MS Base for horizontal mounting	Pre-mounted fixing screws	910 720 900
	MW Base for horizontal mounting	1/2" NPT thread, Internal mounting holes	910 710 900
	MR Aluminium tube base with plastic footer	100mm	910 742 900
		250mm	910 743 900
		400mm	910 744 900
		600mm	910 746 900
	FR "Footer adapter" quick mounting system on aluminium tube. (Supports up to 5 modules.)	100mm	910 792 405
		250mm	910 793 405
	RS Aluminium tube base with mounting screw	100mm	910 752 900
		250mm	910 753 900
		400mm	910 754 900
	MV Base for vertical mounting	Vertical mounting	910 730 900
	MC5 5-pin M12 connector (4 module max)	24 V AC/DC only	910 781 405
	MC8 8-pin M12 connector (7 module max)	24 V AC/DC only	910 782 405

Accessories

	TM Transition module for mounting PC7 modules on existing Modul-Signal 70 bases	910 800 900
	LD Diffusor foil (set of 2)	910 000 900
	MW Metal bracket for cable entry from any direction	200 550 900
	XSS Set for vertical mounting Metal bracket, cable gland for vertical mounting	900 700 900
	XWR Bracket for vertical mounting of TMR/UMR tube base	900 600 900

❶ All mounting Bases include a cap.



Beacons Q
+
Multi-Tone
Sounders A

Combination Sounders and Beacons

Multi-Tone Sounders can be combined with Beacon Q for Visual + Audible Signaling. Order components separately as indicated below.

cULus Type 4/4X/13 CE








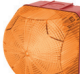








Beacons and Alarms

Size	Beacons Q			Sounder A		
1		QDS LED Steady-/Flashing beacon	See page J23	+ + AMK Mounting kit	ASS-P Multi-Tone Alarm Sounder 8 tones	
		QFS Xenon Strobe beacon			ASS-T Multi-Tone Alarm Sounder 32 tones	
2		QDM LED Steady-/Flashing beacon			+ ASM (For use with QDM or QFM) Multi-Tone Alarm Sounder 32 tones	
		QFM Xenon Strobe beacon				
3		QDL LED Steady-/Flashing beacon				ASL (For use with QDL or QBL) Multi-Tone Alarm Sounder 63 tones
		QBL LED Multi-Strobe beacon				
4		QDX LED Steady-/Flashing beacon			ASX (For use with QDX or QBX) Multi-Tone Alarm Sounder 63 tones	
		QBX LED Multi-Strobe beacon				



















LED Steady Flashing Beacons Q

cUL_{us} Type 4/4X/13 CE

Type	Description	Specifications	Catalog Number
	Replace  with lens color		Red Housing 
	QDS LED Steady-/Flashing beacon size 1 - 94mm	24 V AC/DC 48 V AC/DC 110/120 V AC 230/240 V AC	874 16  405 874 16  408 874 16  310 874 16  313
	QDM LED Steady-/Flashing beacon size 2 - 132mm	24-48 V AC/DC 110-240 V AC/DC	874 26  408 874 26  413
	QDL LED Steady-/Flashing beacon size 3 - 184mm	24-48 V AC/DC 110-240 V AC/DC	874 36  408 874 36  413
	QDX LED Steady-/Flashing beacon size 4 - 228mm	24-48 V AC/DC 110-240 V AC/DC	874 46  408 874 46  413






Strobe Beacons Q

cUL_{us} Type 4/4X/13 CE

Type	Description	Specifications	Catalog Number
	Replace  with lens color		Red Housing 
	QFS Xenon Strobe beacon size 1 - 94mm Amber, red and yellow only	24-48 V AC/DC, 5 J 110/120 V AC, 5 J 230/240 V AC, 5 J	874 56  408 874 56  310 874 56  313
	QFM Xenon Strobe beacon size 2 - 132mm Amber, red and yellow only	24-48 V AC/DC, 10 J 110/120 V AC, 10 J 230/240 V AC, 10 J	874 66  408 874 66  310 874 66  313
	QBL LED Multi-Strobe beacon 3 strobe patterns size 3 - 184mm Amber and red only	24-48 V AC/DC 110-240 V AC/DC	874 76  408 874 76  413
	QBX LED Multi-Strobe beacon 3 strobe patterns size 4 - 228mm Amber and red only	24-48 V AC/DC 110-240 V AC/DC	874 86  408 874 86  413

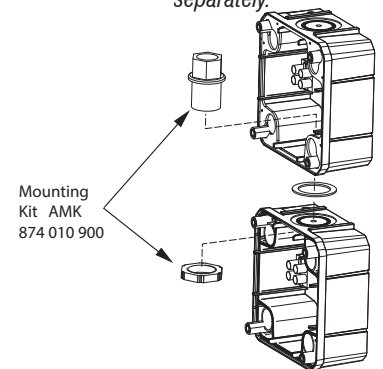
Accessories for Beacons Q

cUL_{us} Type 4/4X/13 CE

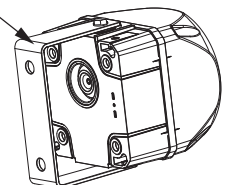
Type	Description	For use with...	Catalog Number
	AMK Mounting kit	for combinations of multi-tone sounders "A" and/or beacons "Q"	874 010 900
	Flat gasket		874 021 900 874 022 900 874 023 900 874 024 900
	Metal Mounting bracket Kit 	multi-tone sounders "A" and/or beacons "Q"	874 031 900 874 032 900 874 033 900 874 034 900
	AKV Cable gland M20 x 1.5		698 800 026




Beacons Q can be combined for multi-color units using the AMK Mounting Kit. Or combine with Sounder A for visual and audible signaling. Order components separately.



Mounting Bracket AB

























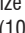
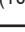

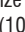

- ① To complete the catalog no., replace the  with one of the following numbers for desired lens color:
1 = Amber, 2 = Red, 4 = Clear, 5 = Blue, 6 = Green, 7 = Yellow.
- ② Metal bracket for mounting of single device only.

Beacons and Alarms





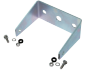


Beacon Q with M22 Buzzer Indicator

cUL_{us} Type 4/4X/13 CE

Type	Description	Specifications	Catalog Number
	Replace  with lens color		Red Housing 
	QSS LED Steady/Flashing Beacon Size 1 - 94mm with buzzer indicator (80 dB)	24 V AC/DC 110/120 V AC 230/240 V AC	876 16 405 876 16 310 876 16 313
	QSM LED Steady/Flashing Beacon Size 2 - 132mm with buzzer indicator (100 dB)	24 V AC/DC 110/120 V AC 230/240 V AC	876 26 405 876 26 310 876 26 313
	QSL LED Steady/Flashing Beacon Size 3 - 184mm with buzzer indicator (105 dB)	24 V AC/DC 110/120 V AC 230/240 V AC	876 36 405 876 36 310 876 36 313
	QSX LED Steady/Flashing Beacon Size 4 - 228mm with buzzer indicator (105 dB)	24 V AC/DC 110/120 V AC 230/240 V AC	876 46 405 876 46 310 876 46 313
	QCS LED Strobe Beacon Size 1 - 94mm with buzzer indicator (105 dB) Amber, red, yellow only	24 V AC/DC 110-120 V AC 230-240 V AC	876 17 405 876 17 310 876 17 313
	QCL LED Strobe Beacon Size 3 - 184mm with buzzer indicator (105 dB)	24 V AC/DC 110/120 V AC 230/240 V AC	876 76 405 876 76 310 876 76 313
	QCX LED Strobe Beacon Size 4 - 228mm with buzzer indicator (105 dB)	24 V AC/DC 110/120 V AC 230/240 V AC	876 86 405 876 86 310 876 86 313


Accessories

cUL_{us} Type 4/4X/13 CE

Type	Description	For use with...	Catalog Number
	AMK Mounting kit	for combinations of multi-tone sounders "A" and/or beacons "Q"	874 010 900
	Flat gasket	multi-tone sounders "A" and/or beacons "Q"	AG1 for size 1
			AG2 for size 2
			AG3 for size 3
			AG4 for size 4
	Metal Mounting bracket Kit 	multi-tone sounders "A" and/or beacons "Q"	AB1 for size 1
			AB2 for size 2
			AB3 for size 3
			AB4 for size 4
	AKV Cable gland M20 x 1.5		698 800 026

 To complete the catalog no., replace the  with one of the following numbers for desired lens color:

1 = Amber, 2 = Red, 4 = Clear, 5 = Blue, 6 = Green, 7 = Yellow.

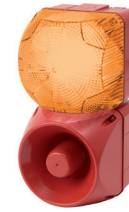
 Metal bracket for mounting of single device only.



Multi-Tone Sounders A

us Type 4/4X/13

Type	Description	Specifications	Catalog Number
			Red Housing
	ASS-P ② Multi-Tone Alarm Sounder Size 1 - 94mm, 8 tones (103 dB)	24 V AC/DC 48 V AC/DC 110/120 V AC 230/240 V AC	874 060 405 874 060 408 874 060 310 874 060 313
	ASS-T ② Multi-Tone Alarm Sounder Size 1 - 94mm, 32 tones (108 dB)	24-48 V AC/DC 110-240 V AC	874 170 408 874 170 313
	ASM ② Multi-Tone Alarm Sounder Size 2 - 132mm, 32 tones (113 dB)	24-48 V AC/DC 110-240 V AC	874 270 408 874 270 313
	ASL ② Multi-Tone Alarm Sounder Size 3 - 184mm, 63 tones (120 dB)	24-48 V AC/DC 110/120 V AC 230/240 V AC	874 360 408 874 360 310 874 360 313
	ASX Multi-Tone Alarm Sounder Size 4 - 228mm, 63 tones (127 dB)	24-48 V AC/DC 110/120 V AC 230/240 V	874 460 408 874 460 310 874 460 313



Multi-Tone Sounders A can be combined with Beacon Q for Visual + Audible Signaling. Use Mounting Kit AMK. Order components separately.

Accessories




	AMK Mounting kit	for combinations of multi-tone sounders "A" and/or beacons "Q"	874 010 900
	Flat gasket		AG1 for size 1
			AG2 for size 2
			AG3 for size 3
			AG4 for size 4
	Metal bracket Kit ①	multi-tone sounders "A" and/or beacons "Q"	AB1 for size 1
			AB2 for size 2
			AB3 for size 3
			AB4 for size 4
	AKV Cable gland M20 x 1.5		698 800 026

- ① Metal bracket for mounting of single device only.
- ② Multi-tone Sounders A sizes 1, 2 & 3 have adjustable sound pressure via potentiometer.



Multi-Tone Sounders A with M22 Light Indicator



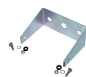

cUL^{us} Type 4/4X/13 CE

Type	Description	Specifications	Catalog Number
Replace with lens color: Amber, red or yellow only			Red Housing
	ADS-P Multi-Tone Alarm Sounder with LED Steady indicator Size 1 - 94 mm, 8 tones (103 dB)	24 V AC/DC 110/120 V AC 230/240 V AC	875 06 405 875 06 310 875 06 313
	ADS-T Multi-Tone Alarm Sounder with LED Steady/Flashing indicator Size 1 - 94 mm, 32 tones (108 dB)	24 V AC/DC 110/120 V AC 230/240 V AC	875 17 405 875 17 310 875 17 313
	ADM Multi-Tone Alarm Sounder with LED Steady/Flashing indicator Size 2 -132mm, 32 tones (113 dB)	24 V AC/DC 110/120 V AC 230/240 V AC	875 27 405 875 27 310 875 27 313
	ADL Multi-Tone Alarm Sounder with LED Steady/Flashing indicator Size 3 -184mm, 63 tones (120 dB) Amber and red only	24 V AC/DC 110/120 V AC 230/240 V AC	875 36 405 875 36 310 875 36 313
	ADX Multi-Tone Alarm Sounder with LED Steady/Flashing indicator Size 4 - 228mm, 63 tones (127 dB) Amber and red only	24 V AC/DC 110/120 V AC 230/240 V AC	875 46 405 875 46 310 875 46 313
	ACM Multi-Tone Alarm Sounder with LED Strobe indicator Size 2 -132mm, 32 tones (113 dB)	24 V AC/DC 110/120 V AC 230/240 V AC	875 67 405 875 67 310 875 67 313
	ACL Multi-Tone Alarm Sounder with LED Strobe indicator Size 3 -184mm, 63 tones (120 dB) Amber and red only	24 V AC/DC 110/120 V AC 230/240 V AC	875 76 405 875 76 310 875 76 313
	ACX Multi-Tone Alarm Sounder with LED Strobe indicator Size 4 - 228mm, 63 tones (127 dB) Amber and red only	24 V AC/DC 110/120 V AC 230/240 V AC	875 86 405 875 86 310 875 86 313

Beacons and Alarms

Accessories

cUL^{us} Type 4/4X/13 CE

Type	Description	For use with...	Catalog Number
	AMK Mounting kit	for combinations of multi-tone sounders "A" and/or beacons "Q"	874 010 900
	Flat gasket	multi-tone sounders "A" and/or beacons "Q"	AG1 for size 1
			AG2 for size 2
			AG3 for size 3
			AG4 for size 4
	Metal Mounting bracket Kit	multi-tone sounders "A" and/or beacons "Q"	AB1 for size 1
			AB2 for size 2
			AB3 for size 3
			AB4 for size 4
	AKV Cable gland M20 x 1.5		698 800 026

① To complete the catalog no., replace the with one of the following numbers for desired lens color:

1 = Amber, 2 = Red, 7 = Yellow.

② Metal bracket for mounting of single device only.

③ Multi-tone Sounders A sizes 1,2 & 3 have adjustable sound pressure via potentiometer.




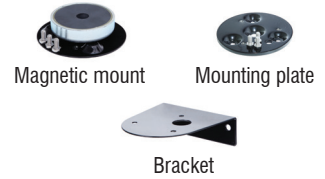
Auer Signal

DISCONTINUED

Modular Beacons M 160 mm ø


cUL_{us} Type 4/4X/13 CE

Type	Description	Specifications	Catalog Number	Catalog Number	
	Replace Ⓢ with lens color		Horizontal Base Mounting ❶	Pole Base Mounting ❶	
				M20	1/2" NPT
 MLL (Shown with bracket)	MLL Steady Beacon ❷ (Halogen bulb included)	24 V AC/DC 110/120 V AC 230/240 V AC	819 102 405 819 102 310 819 102 313		819 310 405 819 310 310 819 310 313 <i>(No Clear 230V)</i>
	MBL Flashing Beacon ❷ (Halogen bulb included)	24 V AC/DC 110/120 V AC 230/240 V AC	839 100 405 839 100 310 839 100 313 <i>(Amber or red only)</i>		839 310 405 839 310 310 839 310 313 <i>(No Red 120V)</i>
	MFL Strobe Beacon (Xenon tube included)	24 V AC/DC 110/120 V AC 230/240 V AC	849 100 405 849 100 310 849 100 313 <i>(Amber, Red, Blue, Yellow only)</i>		849 310 405 849 310 310 849 310 313 <i>(No Amber, Red 120V, No Clear 24V)</i>
	MRL Rotating Mirror Beacon ❷ Halogen bulb included Not available in Clear, Green or Blue	24 V AC/DC 110/120 V AC 230/240 V AC	419 100 405 419 100 310 419 100 313		419 300 405 419 300 310 419 300 313 419 310 405 419 310 310 419 310 313
			Catalog Number		
	Bracket		819 200 900		
	Mounting plate for UL type 4, 4X, 13		819 202 900		
	Magnetic mount		819 203 900		



Modular Beacons M 120 mm ø

cUL_{us} Type 4/4X/13 CE

Type	Description	Specifications	Catalog Number	Catalog Number	
	Replace Ⓢ with lens color		Horizontal Base Mounting ❶	Pole Base Mounting ❶	
				M20	1/2" NPT
 MLM	MLM Steady Beacon ❷ (Halogen bulb included)	24 V AC/DC 110/120 V AC 230/240 V AC	818 102 405 818 102 310 818 102 313		818 310 405 818 310 310 818 310 313
	MBM Flashing Beacon ❷ (Halogen bulb included)	24 V AC/DC 110/120 V AC 230/240 V AC	838 100 405 838 100 310 838 100 313 <i>(Only Amber and Red)</i>		838 310 405 838 310 310 838 310 313 <i>(No Amber, Red, Green 24V)</i>
	MFM Strobe Beacon (Xenon tube included)	24 V AC/DC 110/120 V AC 230/240 V AC	848 100 405 848 100 310 848 100 313 <i>(No Amber 120V)</i>		848 310 405 848 310 310 848 310 313 <i>(Only Green, Yellow 24V, No Amber 120V)</i>
	MRM Rotating Mirror Beacon ❷ Halogen bulb included Not available in Clear, Green or Blue	24 V AC/DC 110/120 V AC 230/240 V AC	418 100 405 418 100 310 418 100 313		418 300 405 418 300 310 418 300 313 418 310 405 418 310 310 418 310 313
			Catalog Number		
	Bracket		818 200 900		
	Mounting plate for UL type 4, 4X, 13		818 202 900		
	Magnetic mount		818 203 900		



Pole Mounts also available for 120mm beacons. See next page.

❶ To complete the catalog no., replace the Ⓢ with one of the following numbers for desired lens color: **1** = Amber, **2** = Red, **4** = Clear, **5** = Blue, **6** = Green, **7** = Yellow.
 ❷ Halogen bulb included. For replacement bulbs see page J39.




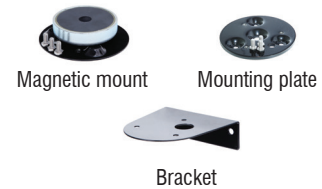
Auer Signal

DISCONTINUED





Modular Beacons M 90 mm ø

cUL_{us} Type 4/4X/13 CE

Type	Description	Specifications	Catalog Number	Catalog Number	
	Replace Ⓢ with lens color		Horizontal Base Mounting ①	Pole Base Mounting ① M20 1/2" NPT	
	MLS Steady Beacon ② (Halogen bulb included)	24 V AC/DC 110/120 V AC 230/240 V AC	817 102 405 817 102 310 817 102 313		817 310 405 817 310 310 817 310 313 <i>(No Blue 120V)</i>
	MBS Flashing Beacon ② (Halogen bulb included)	24 V AC/DC 110/120 V AC 230/240 V AC	837 102 405 837 102 310 837 102 313		837 310 405 837 310 310 837 310 313 <i>(No Red 24V, No Red, Blue, Yellow 120V)</i>
	MFS Strobe Beacon (Xenon tube included)	24 V AC/DC 110/120 V AC 230/240 V AC	847 100 405 847 100 310 847 100 313		847 310 405 847 310 310 847 310 313 <i>(No Amber Red 24V, No Amber 120V, No Blue 240V)</i>
	MRS Rotating Mirror Beacon ② Halogen bulb included Not available in Clear, Green or Blue	24 V AC/DC 110/120 V AC 230/240 V AC	417 100 405 417 100 310 417 100 313	417 300 405 417 300 310 417 300 313	417 310 405 417 310 310 417 310 313
			Catalog Number		
	Bracket		817 200 900		
	Mounting plate for UL type 4, 4X, 13		817 202 900		
	Magnetic mount		817 203 900		



Modular Beacon M Accessories

Type	Description	Catalog Number	
	Bonding kit for conduit installations	819 201 900	
	AKV Cable gland M20 x 1.5	698 800 026	
	MMR ③ Pole Mount Aluminum tube with plastic foot	5 cm	698 806 007
		10 cm	698 806 008
		25 cm	698 806 009
		40 cm	698 806 010
	MSR ③ Pole Mount Stainless steel tube with zinc die cast foot, powder coated, black	5 cm	698 806 021
		10 cm	698 806 022
		25 cm	698 806 023
		40 cm	698 806 024

① To complete the catalog no., replace the Ⓢ with one of the following numbers for desired lens color:

1 = Amber, 2 = Red, 4 = Clear, 5 = Blue, 6 = Green, 7 = Yellow.



② Halogen bulb included. For replacement bulbs see page J39.

③ For use with Modular Beacons M 120mm, 90mm and Beacons N only

Beacons and Alarms



Modular Beacons R us Type 4/4X/13 IP66







Type	Description	Specifications	Catalog Number ^❶
Light Modules			
Replace with Lens Color			
 850 506 004 module shown	RDC LED Beacon Steady Light Up to 111 Cd luminous intensity	12 V DC 110 - 230 V AC 24 V AC/DC 48 V AC/DC	850 50 004 850 50 313 850 50 405 850 50 408
	RDM LED Multi-function Beacon Strobe/Flashing/Rotating/Pulsing/Dimming and Steady-light functions Up to 111 Cd luminous intensity	12 V DC 110 - 230 V AC 24 V AC/DC 48 V AC/DC	850 51 004 850 51 313 850 51 405 850 51 408
	RDMHP LED Multi-function Beacon Strobe/Flashing/Rotating/Pulsing/Dimming and Steady-light functions Up to 184 Cd luminous intensity	12 V DC 110 - 230 V AC 24 V AC/DC 48 V AC/DC	850 52 004 850 52 313 850 52 405 850 52 408
	RMM LED Multi-color Beacon Steady Light All 7 colors externally controllable (red, yellow, green, blue, clear, magenta, turquoise) Up to 25 Cd luminous intensity	110 - 230 V AC 24 - 48 V AC/DC	850 530 313 850 530 408
	RCDM Compact Multi-function Beacon Steady/Flashing and 4 strobe light modes Milky-white lens for all colors	110 - 230V AC 24 - 48 V AC/DC	850 56 313 850 56 408
	RCMM Compact Multi-color Beacon LED Steady Light All 7 colors externally controllable (red, yellow, green, blue, clear, magenta, turquoise)	110 - 230 V AC 24 - 48 V AC/DC	850 570 313 850 570 408
Sound Modules			
 inline	RBA Audible Base 32-Tone Sounder 103 dB sound pressure, 3 tones externally controllable can be used for all R-series models Metal bracket for mounting on walls (accessory)	110 - 230 V AC 24 - 48 V AC/DC	850 535 313 850 535 408

J
Beacons and Alarms




❶ To complete the catalog no., replace with one of the following numbers for desired lens color:
 1 = Amber, 2 = Red, 4 = Clear, 5 = Blue, 6 = Green, 7 = Yellow



Modular Beacons R Mounting Bases  us Type 4/4X/13  IP66

Type	Description	Catalog Number
	RBH Universal base-horizontal/pole mounting	850 510 900
	RBL Universal base-horizontal/pole mounting	850 500 900
	RBNPT Universal base npt 1/2" mounting	850 515 900
	RWD Plastic bracket for RBL bases	850 520 900
	RWU Metal bracket for RBL, RBH	850 521 900
	RWA Metal bracket for RBA audible bases	850 531 900










Modular Beacons R Accessories

	RKV Cable gland M16 for R series bases	850 590 920
	RG1 Flat gasket for housing for RBL, RBH	850 590 900
	RG2 Flat gasket for wall for RBL	850 590 910


Beacons and Alarms



LED-Beacons N 90 mm ø us Type 4/4X/13

Type	Description	Specifications	Catalog Number	Catalog Number	
				Horizontal Base Mounting ¹	Pole Base Mounting ¹ M20 1/2" NPT
 Horizontal  Pole	NES LED-Steady/Flashing Beacon	12 - 24 V AC/DC 24 - 48 V AC/DC 110 - 240 V AC/DC	440 10⊕ 405 440 10⊕ 408 440 10⊕ 413	440 30⊕ 405 440 30⊕ 408 440 30⊕ 413	440 40⊕ 405 440 40⊕ 408 440 40⊕ 413
	NFS LED-Strobe Beacon	24 - 48 V AC/DC 110 V AC 240 V AC	442 10⊕ 408 442 10⊕ 310 442 10⊕ 313	442 30⊕ 408 442 30⊕ 310 442 30⊕ 313	442 40⊕ 408 442 40⊕ 310 442 40⊕ 313
	NFS-HP LED High Performance Strobe Beacon, 3 patterns	24 - 48 V AC/DC 110-240 V AC/DC	442 15⊕ 408 442 15⊕ 413	442 35⊕ 408 442 35⊕ 413	442 45⊕ 408 442 45⊕ 413
 NMS LED-Multi-Color Beacon green-red-yellow  NMS-HP LED High Performance Multi-Color Beacon red-green-yellow	24 V AC/DC 48 V AC/DC 110/120 V AC 230/240 V AC	441 100 405 441 100 408 441 100 310 441 100 313	441 300 405 441 300 408 441 300 310 441 300 313	441 400 405 441 400 408 441 400 310 441 400 313	
	24 - 48 V AC/DC 110-240 V AC/DC	441 150 408 441 150 413	441 350 408 441 350 413	441 450 408 441 450 413	
	Bracket		817 200 900	 Magnetic mount  Bracket	
	Magnetic mount		817 203 900		
	Cable Gland M20 x 1.5		698 800 026		
 MMR ² Pole Mount Aluminum tube with plastic foot	5 cm	698 806 007			
	10 cm	698 806 008			
	25 cm	698 806 009			
	40 cm	698 806 010			
 MSR ² Pole Mount Stainless steel tube with zinc die cast foot, powder coated, black	5 cm	698 806 021			
	10 cm	698 806 022			
	25 cm	698 806 023			
	40 cm	698 806 024			










LED Light Bar us

Type	Description	Specifications	Catalog Number
			Grey Housing
 ILL42	LED Light Bar with on/off switch	24-48 V AC/DC 110/120 - 230/240 V AC/DC	805 110 405 805 110 413
	LED Light Bar without on/off switch	24-48 V AC/DC 110/120 - 230/240 V AC/DC	805 100 405 805 100 413



- ¹ To complete the catalog no., replace the ⊕ with one of the following numbers for desired lens color:
 1 = Amber, 2 = Red, 4 = Clear, 5 = Blue, 6 = Green, 7 = Yellow.
- ² For use with Modular Beacons M 120mm, 90mm and Beacons N only



Beacons and Alarms

Beacons T See page J31		Buzzer T See page J33	Mounting Option See page J31 or J33	
	TLL Incandescent Steady Beacon	 TDE Buzzer (continuous or pulsing tone)		TMW Internal Mounting Holes
	TDC Integrated LED Steady-/Flashing Beacon			TMF External Mounting Holes
	TDF Integrated LED Multi-Strobe Beacon			TNL Lateral cable entry (cable gland)
				TMV Vertical Mounting
				TMR Aluminum tube with plastic foot 100 mm or 250 mm
				TNW For NPT 1/2" pole mount

Combine Series T Beacons and Buzzers to create a Visual plus Audible signaling solution

 US Type 4/4X/13 



TDC + TDE + TMW



TDF + TDE + TMF



TLL + TDE + TMV



TDC + TDE + TMR

Beacon T
+
Buzzer T
+
Mounting option T



Beacons T - 75 mm Ø Type 4/4X/13

Type	Description	Specifications	Catalog Number
	Replace  with lens color		Black Housing 
	TLL Steady Beacon (no bulb) 	up to 250 V AC/DC	859 52  900
	TDC Integrated LED-Steady/Flashing Beacon	24 V AC/DC 110/120 V AC 230/240 V AC	859 50  405 859 50  310 859 50  313
	TDF Integrated LED-Multi-Strobe Beacon	24 V AC/DC 110/120 V AC 230/240 V AC	859 51  405 859 51  310 859 51  313
Horizontal Mounting			
	TMW Internal Mounting Holes		859 500 900
	TMF External Mounting Holes		859 510 900
	TNL Lateral cable entry (cable gland)		859 515 900
	TMV Vertical Mounting		859 520 900
Pole Mounting			
	TMR Aluminum tube with plastic foot	100 mm 250 mm	859 532 900 859 533 900
	TNW For NPT 1/2" pole mount		859 540 900
Accessories			
	TVS Metal Bracket kit for TMW with cable gland M12x1.5		859 560 900
	XWR Bracket for pole mount base with plastic foot		900 600 900
	PV1 Protective vent (optional for bases TMW, TMF, TNL)		859 100 000



Beacons TLL, TDC, TDF






Complete Beacon



Beacon T with TMW and TVS bracket kit

Beacons and Alarms

 To complete the catalog no., replace the  with one of the following numbers for desired lens color: 1 = Amber, 2 = Red, 4 = Clear, 5 = Blue, 6 = Green, 7 = Yellow.
 Incandescent Bulb type GL01...06 not included. Order separately from page J39.



Beacons U - 60 mm Ø

cUL_{us} Type 4/4X/13 CE

Type	Description	Specifications	Catalog Number
	Replace  with lens color		Black Housing 
	ULL Steady Beacon (no bulb) 	up to 250 V AC/DC	858 52  900
	UDC Integrated LED-Steady/Flashing Beacon	24 V AC/DC 110/120 V AC 230/240 V AC	858 50  405 858 50  310 858 50  313
	UDF Integrated LED-Multi-Strobe Beacon	24 V AC/DC 110/120 V AC 230/240 V AC	858 51  405 858 51  310 858 51  313
Horizontal Mounting			
	UMW Internal Mounting Holes		858 500 900
	UMF External Mounting Holes		858 510 900
	UNL Lateral cable entry (cable gland)		858 515 900
	UMV Vertical Mounting		858 520 900
Pole Mounting			
	UMR Aluminum tube with plastic foot	100 mm 250 mm	858 532 900 858 533 900
	UNW For NPT 1/2" pole mount		858 540 900
Accessories			
	UVS Metal Bracket kit for UMW with cable gland M12x1.5		858 560 900
	XWR Bracket for pole mount base with plastic foot		900 600 900
	PV1 Protective vent (optional for bases UMW, UMF, UNL)		859 100 000



Beacons ULL, UDC, UDF

+






=

Complete Beacon



Beacons and Alarms

 To complete the catalog no., replace the  with one of the following numbers for desired lens color:
1 = Amber, 2 = Red, 4 = Clear, 5 = Blue, 6 = Green, 7 = Yellow.
 Incandescent Bulb type GL01...06 not included. Order separately from page J39.



Auer Signal

Audible Signaling

Series T Buzzer

Buzzer T - 75 mm ø

cUL_{us} Type 4/4X/13 CE

Type	Description	Specifications	Catalog Number
	Replace  with lens color		Black Housing
	TDE Buzzer module Continuous or pulsing tone 100 dB (A) in 1 m	24 V AC/DC 110/120 V AC 230/240 V AC	859 560 405 859 560 310 859 560 313
	TDK Cover for buzzer module TDE Cover is required for operation and must be ordered separately		859 560 000
Horizontal Mounting			
	TMW Internal Mounting Holes		859 500 900
	TMF External Mounting Holes		859 510 900
	TNL Lateral cable entry (cable gland)		859 515 900
	TMV Vertical Mounting		859 520 900
Pole Mounting			
	TMR Aluminum tube with plastic foot	100 mm 250 mm	859 532 900 859 533 900
	TNW For NPT 1/2" pole mount		859 540 900
Accessories			
	TVS Metal Bracket kit for TMW with cable gland M12x1.5		859 550 900
	PV1 Protective vent (optional for bases TMW, TMF, TNL)		859 100 000



Buzzer TDE and Cap TDK

+



=

Complete Buzzer




Buzzer T with TMW and TVS bracket kit

J
Beacons and Alarms

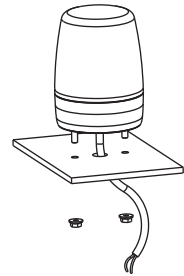


Beacons P 75 mm ø

Type	Description	Specifications	Catalog Number
	Replace with lens color		Black Housing
Low Model Lens  PCL on Horizontal Mount (included)	PCL Integrated LED Steady/Flashing Beacon	24 V AC/DC 230/240 V AC	861 50 405 861 50 313
	PFL Integrated LED Multi-Strobe Beacon Amber and red only	24 V AC/DC 230/240 V AC	861 51 405 861 51 313
High Model Lens  PCH on Horizontal Mount (included)	PCH Integrated LED Steady/Flashing Beacon	24 V AC/DC 230/240 V AC	860 50 405 860 50 313
	PFH Integrated LED Multi-Strobe Beacon Amber and red only	24 V AC/DC 230/240 V AC	860 51 405 860 51 313
	PMH Integrated LED Multi-Color Beacon Red-Yellow-Green	24 V AC/DC 230/240 V AC	860 550 405 860 550 313
	PVW Vertical Mounting Bracket		860 600 900
	PMR Pole Mount Base on aluminum tube with plastic foot	10 cm	860 702 900
		25 cm	860 703 900

Pre-wired for versatile mounting options.

Horizontal Mount



Pole Mount PMR



Vertical Mount PVW



Beacons and Alarms

To complete the catalog no., replace the with one of the following numbers for desired lens color: 1 = Amber, 2 = Red, 4 = Clear, 5 = Blue, 6 = Green, 7 = Yellow.



Panel Mount Beacons T & U for 37ø mm hole us Type 4/4X/13

Type	Description	Specifications	Catalog Number
	Replace with lens color		Black Housing
Series T 75mm 	TLLP Steady Beacon (no bulb)	up to 250 V AC/DC	859 59 900
	TDCP Integrated LED-Steady/Flashing Beacon	24 V AC/DC 110/120 V AC 230/240 V AC	859 57 405 859 57 310 859 57 313
	TDFP Integrated LED-Multi-Strobe Beacon	24 V AC/DC 110/120 V AC 230/240 V AC	859 58 405 859 58 310 859 58 313
Series U 60mm 	ULLP Steady Beacon (no bulb)	up to 250 V AC/DC	858 59 900
	UDCP Integrated LED-Steady/Flashing Beacon	24 V AC/DC 110/120 V AC 230/240 V AC	858 57 405 858 57 310 858 57 313
	UDFP Integrated LED-Multi-Strobe Beacon	24 V AC/DC 110/120 V AC 230/240 V AC	858 58 405 858 58 310 858 58 313



Standard incandescent terminal connection











Standard LED terminal connection

To complete the catalog no., replace the with one of the following numbers for desired lens color:
 1 = Amber, 2 = Red, 4 = Clear, 5 = Blue, 6 = Green, 7 = Yellow.
 Incandescent Bulb type GL01...06 not included. Order separately from page J39.



M22 Panel Mount Beacons I

cULus Type 4/4X/13 CE

Type	Description	Specification	Catalog Number ❶	
			Grey Housing	Black Housing
	IBL LED-Panel Mount Beacon 65mm Steady-/Flashing Light	12 V AC/DC 24 V AC/DC 110/120 V AC 230/240 V AC	802 10⊕ 404 802 10⊕ 405 802 10⊕ 310 802 10⊕ 313	802 50⊕ 404 802 50⊕ 405 802 50⊕ 310 802 50⊕ 313
	IBM LED-Panel Mount Beacon 45mm Steady-/Flashing Light	12 V AC/DC 24 V AC/DC 110/120 V AC 230/240 V AC	801 10⊕ 404 801 10⊕ 405 801 10⊕ 310 801 10⊕ 313	801 50⊕ 404 801 50⊕ 405 801 50⊕ 310 801 50⊕ 313
	IBS LED-Panel Mount Beacon 30mm Steady-/Flashing Light	12 V AC/DC 24 V AC/DC 110/120 V AC 230/240 V AC	800 10⊕ 404 800 10⊕ 405 800 10⊕ 310 800 10⊕ 313	800 50⊕ 404 800 50⊕ 405 800 50⊕ 310 800 50⊕ 313
	ISL Panel Mount 65mm Xenon Strobe Beacon Amber, Red and Yellow Only	12-24 V AC/DC 110/120 V AC 230/240 V AC	802 11⊕ 405 802 11⊕ 310 802 11⊕ 313	802 51⊕ 405 802 51⊕ 310 802 51⊕ 313
	ISM Panel Mount 45mm Xenon Strobe Beacon Amber, Red and Yellow Only	12-24 V AC/DC 110/120 V AC 230/240 V AC	801 11⊕ 405 801 11⊕ 310 801 11⊕ 313	801 51⊕ 405 801 51⊕ 310 801 51⊕ 313
	ICL ❷ Panel Mount LED Strobe Beacon 65mm (2 strobe patterns) Amber and Red only	24 V AC/DC 110/120 V AC 230/240 V AC	802 12⊕ 405 802 12⊕ 310 802 12⊕ 313	802 52⊕ 405 802 52⊕ 310 802 52⊕ 313
	ICM ❷ Panel Mount LED Strobe Beacon 45mm (2 strobe patterns) Amber and Red Only	24 V AC/DC 110/120 V AC 230/240 V AC	801 12⊕ 405 801 12⊕ 310 801 12⊕ 313	801 52⊕ 405 801 52⊕ 310 801 52⊕ 313
	ISS ❷ Panel Mount LED Strobe Beacon 30mm Amber and Red Only	12 V AC/DC 24 V AC/DC 110/120 V AC 230/240 V AC	800 11⊕ 404 800 11⊕ 405 800 11⊕ 310 800 11⊕ 313	800 51⊕ 404 800 51⊕ 405 800 51⊕ 310 800 51⊕ 313

J
Panel Mount Signaling

❶ To complete the catalog no., replace the ⊕ with one of the following numbers for desired lens color:
1 = Amber, 2 = Red, 4 = Clear, 5 = Blue, 6 = Green, 7 = Yellow.







❷ To complete the catalog no., replace the ⊕ with one of the following numbers for desired lens color:
1 = Amber, 2 = Red

Other colors available by special order. Contact Sprecher + Schuh for more information.





M22 Dual Color Panel Mount Beacons I

cUL^{us} Type 4/4X/13 CE




Type	Description	Specifications	Catalog Number ❶	
			Grey Housing	Black Housing
	IDL ❷ LED-Dual Color Panel Mount Beacon 65mm, red-green, steady light, full illumination	24 V AC/DC 110/120 V AC 230/240 V AC	802 226 405 802 226 310 802 226 313	802 626 405 802 626 310 802 626 313
	IDM ❷ LED-Dual Color Panel Mount Beacon 45mm, red-green, steady light, full illumination	24 V AC/DC 110/120 V AC 230/240 V AC	801 226 405 801 226 310 801 226 313	801 626 405 801 626 310 801 626 313
	IDS ❷ LED-Dual Color Panel Mount Beacon 30mm, red-green, steady light, full illumination	24 V AC/DC	800 226 405	800 626 405
	ITL ❷ LED-Dual Color Panel Mount Beacon 65mm, red-green, steady light, half illumination	24 V AC/DC 110/120 V AC 230/240 V AC	802 326 405 802 326 310 802 326 313	802 726 405 802 726 310 802 726 313
	ITM ❷ LED-Dual Color Panel Mount Beacon 45mm, red-green, steady light, half illumination	24 V AC/DC 110/120 V AC 230/240 V AC	801 326 405 801 326 310 801 326 313	801 726 405 801 726 310 801 726 313
	ITS ❷ LED-Dual Color Panel Mount Beacon 30mm, red-green, steady light, half illumination	24 V AC/DC	800 326 405	800 726 405

M22 3-Color Panel Mount Beacons I ❶

cUL^{us} Type 4/4X/13 CE

Type	Description	Specifications	Catalog Number ❶	
			Grey Housing	Black Housing
	IML LED-3 Color Panel Mount Beacon, 65mm red-yellow-green, steady light (clear lens, 1 of 3 colors visible) precabled, 1m UL-cable ❸	24 V AC/DC 110/120 V AC 230/240 V AC	802 150 405 802 150 310 802 150 313	802 550 405 802 550 310 802 550 313
	IMM LED-3 Color Panel Mount Beacon, 45mm red-yellow-green, steady light (clear lens, 1 of 3 colors visible) precabled, 1m UL-cable ❸	24 V AC/DC	801 150 405	801 550 405

M22 Accessories

	Adapter M30.5			812 500 900
	Fastening tool M22 30mm			D7-AW2 See Section H
	Anti-rotation washer for unnotched mounting holes	package of 5 washers		812 300 900

- ❶ To complete the catalog no., replace the ❷ with one of the following numbers for desired lens colors:
1 = Amber, 2 = Red, 4 = Clear, 5 = Blue, 6 = Green, 7 = Yellow.
- ❷ Other color combinations available by special order only. Contact Sprecher + Schuh for more information.
- ❸ Other cable lengths available. Contact Sprecher + Schuh for more information.



M22 Panel Mount Alarm/LED Control Beacon



Type	Description	Specification	Catalog Number ①	
			Grey Housing	Black Housing
	ELG Panel Mount Alarm 65mm with LED Control Beacon (103 dB) Tone & light synchronized only Amber and Red ②	12 V AC/DC 24 V AC/DC 110/120 V AC 230/240 V AC	814 11③ 404 814 11③ 405 814 11③ 310 814 11③ 313	814 51③ 404 814 51③ 405 814 51③ 310 814 51③ 313
	ELM Panel Mount Alarm 45mm with LED Control Beacon (98 dB) Tone & light synchronized only Amber and Red ②	12 V AC/DC 24 V AC/DC 110/120 V AC 230/240 V AC	813 11③ 404 813 11③ 405 813 11③ 310 813 11③ 313	813 51③ 404 813 51③ 405 813 51③ 310 813 51③ 313
	EDG Panel Mount Alarm 65mm with LED Control Beacon (103 dB) Tone & light separately switchable only Amber and Red ②	12 V AC/DC 24 V AC/DC 110/120 V AC 230/240 V AC	814 12③ 404 814 12③ 405 814 12③ 310 814 12③ 313	814 52③ 404 814 52③ 405 814 52③ 310 814 52③ 313
	EDM Panel Mount Alarm 45mm with LED Control Beacon (98 dB) Tone & light separately switchable only Amber and Red ②	12 V AC/DC 24 V AC/DC 110/120 V AC 230/240 V AC	813 12③ 404 813 12③ 405 813 12③ 310 813 12③ 313	813 52③ 404 813 52③ 405 813 52③ 310 813 52③ 313
	Adapter M30.5			812 500 900
	Fastening tool M22 30mm			D7-AW2 See Section H

M22 Panel Mount Sounders



Type	Description	Specification	Catalog Number	
			Grey Housing	Black Housing
	ESK Panel Mount Alarm 30mm ④ Pulse/Continuous Tone 65 dBa Fully enclosed, smooth front ②	12...24V AC/DC 110/120V AC 230/240V AC	812 100 405 812 100 310 812 100 313	812 500 405 812 500 310 812 500 313
	ESV Panel Mount Alarm 30mm ④ Pulse/Continuous Tone 85 dBa Slotted housing, high output	12...24V AC/DC 110/120V AC 230/240V AC	812 110 405 812 110 310 812 110 313	812 510 405 812 510 310 812 510 313
	ESM Panel Mount Alarm 45mm Pulse/Continuous Tone <85-100 dBa ⑤ Slotted housing, high output	12...24V AC/DC 110/120V AC 230/240V AC	813 100 405 813 100 310 813 100 313	813 500 405 813 500 310 813 500 313
	ESG Panel Mount Alarm 65mm Pulse/Continuous/Wobble Tone <85-105 dBa ⑤ Slotted housing, high output	12...24V AC/DC 110/120V AC 230/240V AC	814 100 405 814 100 310 814 100 313	814 500 405 814 500 310 814 500 313

① To complete the catalog no., replace the ③ with one of the following numbers for desired lens color:

1 = Amber, 2 = Red, 4 = Clear, 5 = Blue, 6 = Green, 7 = Yellow.

② No slots in the housing. Ideal for food industry environments.







⑤ Adjustable volume capabilities.

④ D7 Legend Plates can be used with the 30mm devices. Also, the mounting ring is the same as D7-ARP, which can be secured to a panel with use of the D7-AW2 mounting wrench. See Section H for D7 components.



Replacement Bulbs






Type	Description	For use with...	Specifications	Catalog Number ①
LED Bulbs				
	LLL Replacement LED Bulb - Steady light For use on Steady or Flashing modules	50mm Light Modules VLL, VLB 70mm Light Modules SLL, SLB, SLP, SLD, SBP Mini-Horn-Signal Beacons KLL, KDL	12 V AC/DC 24 V AC/DC 48 V AC/DC 110/120 V AC 230/240 V AC	893 00 ④ 404 893 00 ④ 405 893 00 ④ 408 893 00 ④ 310 893 00 ④ 313
	LLB Replacement LED Bulb - Flashing light For use on Steady modules only	50mm Light Modules VLL 70mm Light Modules SLL, SLP, SLD Mini-Horn-Signal Beacons KLL, KDL	12 V AC/DC 24 V AC/DC 48 V AC/DC 110/120 V AC 230/240 V AC	893 01 ④ 404 893 01 ④ 405 893 01 ④ 408 893 01 ④ 310 893 01 ④ 313
Incandescent Steady, or Flashing				
	Incandescent Bulb GL01-06 (BA 15 d) 50mm Light Modules, VLL, VLB 70mm Light Modules, SLL, SLB, SLP, SLD, SBP ECO 70mm Light Modules, XLL Mini-Horn-Signal Beacons, KLL, KDL Beacons T & U		12 V, 5 W 24 V, 6,5 W 48 V, 5 W 110-120 V, 7 W 230-240 V, 6 W	890 010 904 890 010 905 890 010 908 890 010 910 890 010 913
	Incandescent Bulb GL11-16 (BA 15 d) ECO 40mm Light Modules, ZLL ECO 60mm Light Modules, YLL		12 V, 4 W 24 V, 4 W 48 V, 4 W 60 V, 4 W 110-120 V, 4 W 230-240 V, 4 W	890 012 904 890 012 905 890 012 908 890 012 909 890 012 910 890 012 913
	Incandescent Bulb GL21-26 (BA 15 d) Beacons G, WLG, BKG		24 V, 25 W 230-240 V, 25 W	890 025 905 890 025 913
Halogen & Xenon Strobe				
	Halogen Bulb HL21-26	Modular Beacons M 90mm MLS, MBS, MRS	12 V, 20 W, GY 6.35 24 V, 20 W, GY 6.35 110/120 V, 20 W, G 6.35 230/240 V, 20 W, G 6.35	890 020 904 890 020 905 890 020 910 890 020 913
	Halogen Bulb HL31-36	Modular Beacons M 120mm MLM, MBM, MRM	12 V, 35 W, GY 6.35 24 V, 35 W, GY 6.35 110/120 V, 35 W, G 6.35 230/240 V, 35 W, G 6.35	890 035 904 890 035 905 890 035 910 890 035 913
	Halogen Bulb HL51-56	Modular Beacons M 160mm MLL, MBL, MRL	12 V, 50 W, GY 6.35 24 V, 50 W, GY 6.35 110/120 V, 50 W, G 6.35 230/240 V, 50 W, G 6.35	890 050 904 890 050 905 890 050 910 890 050 913
	Xenon Tube XT07-30	Modular Beacons M	30 J (MFL) 15 J (MFM) 7 J (MFS)	890 130 900 890 115 900 890 107 900


① To complete the catalog number, replace the ④ with the color code corresponding with the lens color of the light module:
1 = Amber, **2** = Red, **4** = Clear, **5** = Blue, **6** = Green, **7** = Yellow.



Beacons G 120 mm ø CE

Type	Description	Specifications	Catalog Number ①	
			Grey Housing	Black Housing
	WLG Steady Beacon (no bulb) ②	up to 250 V AC/DC	822 10⊕ 900	822 50⊕ 900
	FLG Strobe Beacon (Xenon tube included)	24 V AC/DC, ~5 J 230/240 V AC, ~5 J	842 14⊕ 405 842 13⊕ 313	842 54⊕ 405 842 53⊕ 313
	DLG LED-Steady Beacon Amber, red and yellow only	24 V AC/DC 48 V AC/DC 110/120 V AC 230/240 V AC <i>(Only Clear, Green Blue 48V and 120V)</i>	827 10⊕ 405 827 10⊕ 408 827 10⊕ 310 827 10⊕ 313	827 50⊕ 405 827 50⊕ 408 827 50⊕ 310 827 50⊕ 313
	BLG LED-Flashing Beacon Amber, red and yellow only	24 V AC/DC 230/240 V AC	807 10⊕ 405 807 10⊕ 313	807 50⊕ 405 807 50⊕ 313
	Bracket for all "G" models		822 200 900	822 200 900

Strobe Beacons Z CE

Type	Description	Specifications		Catalog Number	
		Voltage/Strobe	Lens Color	Dark Grey Housing	
	BZG Strobe Beacon Xenon tube included	24 V DC, 15 J	Amber Red Yellow	741 041 005 741 042 005 741 047 005	
		230/240 V AC, 15 J	Amber Red Yellow	741 031 313 741 032 313 741 037 313	


① To complete the catalog no., replace the ⊕ with one of the following numbers for desired lens color:

1 = Amber, 2 = Red, 4 = Clear, 5 = Blue, 6 = Green, 7 = Yellow.


② Bulb not included. Order separately on page J39.




Strobe Beacon XB2 C €

Type	Description	Specifications	Catalog Number	
	Replace ⊕ with lens color	Voltage/Strobe	Black Housing ❶	
	XB2 Strobe Beacon Xenon tube included Amber and red only	12 V DC, 2 J	D118 52⊕ 004 ❷	
		24 V DC, 2 J	D118 52⊕ 005	
		24 V AC, 2 J	D118 52⊕ 305	
		230 V AC, 2 J	D118 52⊕ 313	

Strobe Beacon Signalling Sounder C €

Type	Description	Specifications	Catalog Number	
			Black Housing	
	VS4 Strobe Beacon Signalling Sounder Not available in yellow 230/240 V AC	Amber	410 401 005	
		Red	410 402 005	
		Clear	410 404 005	
		Blue	410 405 005	
		Green	410 406 005	

LED Flashing Multi-tone Siren C €



Type	Description	Specifications	Catalog Number		
			Red Housing	White Housing	
	CS1 LED Flashing Multi-tone Siren Not available in green or yellow 24 V DC	Amber	C111 621 005	C111 221 005	
		Red	C111 622 005	C111 222 005	

- ❶ To complete the catalog no., replace the ⊕ with one of the following numbers for desired lens color:
1 = Amber, 2 = Red, 4 = Clear, 5 = Blue, 6 = Green, 7 = Yellow.
- ❷ Special order only. Minimum quantities apply. Contact Sprecher + Schuh for more information.





Mini Horn-Signal Beacons

CE

Type	Description	Specifications	Catalog Number	Grey Housing ①
	Replace ② with lens color			
	KLL Mini Horn Signal Beacon with cone Steady of Flashing (no bulb) ② ③ 92 dB @ VDC 88 dB @ VAC, 50 Hz	24 V DC 24 V AC, 50 Hz 48 V AC, 50 Hz 230 V AC, 50 Hz	710 11② 005 710 11② 105 710 11② 108 710 11② 113	
	KLF Mini Horn Strobe Beacon with cone Xenon tube included ③ 92 dB @ VDC 88 dB @ VAC, 50 Hz	24 V DC 230/240 V AC, 50 Hz	710 12② 005 710 12② 113	
	KDL Mini Horn Signal Beacon without cone Steady of Flashing (no bulb) ② ③ 92 dB @ VDC 88 dB @ VAC, 50 Hz	24 V DC 24 V AC, 50 Hz 48 V AC, 50 Hz 230 V AC, 50 Hz	710 01② 005 710 01② 105 710 01② 108 710 01② 113	
	KDF Mini Horn Strobe Beacon without cone Xenon tube included ③ 92 dB @ VDC 88 dB @ VAC, 50 Hz	24 V DC 230/240 V AC, 50 Hz	710 02② 005 710 02② 113	

Mini Horns

CE

Type	Description	Specifications	Catalog Number	Grey Housing
	KLH Mini Horn with cone continuous tone 92 dB @ VDC 88 dB @ VAC, 50 Hz	12 V DC 24 V DC 110 V DC 220 V DC 24 V AC, 50 Hz 48 V AC, 50 Hz 230 V AC, 50 Hz	710 100 004 710 100 005 710 100 010 710 100 013 710 100 105 710 100 108 710 100 113	
	KDH Mini Horn without cone continuous tone 92 dB @ VDC 88 dB @ VAC, 50 Hz	12 V DC 24 V DC 220 V DC 24 V AC, 50 Hz 48 V AC, 50 Hz 230 V AC, 50 Hz	710 000 004 710 000 005 710 000 013 710 000 105 710 000 108 710 000 113	

① To complete the catalog no., replace the ② with one of the following numbers for desired lens color:
 1 = Amber, 2 = Red, 7 = Yellow.



② Bulb not included. Order separately on page J39.

③ Other voltages and colors available by special order only. Contact factor for more information.

Non-UL Signaling



Signal Horns CE

Type	Description	Specifications	Catalog Number	
		❶	Grey Housing	
	HPT Signal Horn Impact resistant synthetic housing continuous tone (108 dB)	24 V DC 110 V DC 220 V DC 24 V AC, 50 Hz 48 V AC, 50 Hz 110 V AC, 50 Hz 230 V AC, 50 Hz 120 V AC, 60 Hz 240 V AC, 60 Hz	712 100 005 712 100 010 712 100 013 712 100 105 712 100 108 712 100 110 712 100 113 712 100 211 712 100 213	
	HTG Signal Horn Die-cast aluminum housing continuous tone (108 dB)	24 V DC 110 V DC 220 V DC 24 V AC, 50 Hz 48 V AC, 50 Hz 110 V AC, 50 Hz 230 V AC, 50 Hz 120 V AC, 60 Hz 240 V AC, 60 Hz	713 100 005 713 100 010 713 100 013 713 100 105 713 100 108 713 100 110 713 100 113 713 100 211 713 100 214	


Online Only

❶ Other voltages available by special order only. Contact factory for more information.




Signal Bells CE


DISCONTINUED

Type	Specifications	Catalog Number	
		Grey Housing	Red Housing
 <p>Signal Bells BEL Bell tone or quick beat (106 dB)</p>	24 V AC	720 300 105	
	115 V AC	720 300 110	
	230 V AC	720 300 313	
	12 V DC	720 300 004	
	24 V DC	720 300 005	720 400 005

Electronic Multi-tone Sirens CE

Type	Description	Specifications	Catalog Number	
			Red Housing	White Housing
	ES1	24 V DC, 32 tones (106 dB)	C110 620 005	C110 220 005
	ES2	110 - 230 V AC, 32 tones (106 dB)	C115 600 113	C115 200 113

Electronic Sounders CE





Type	Description	Specifications	Catalog Number	
			Type D (DIP Switch)	Type K (Terminals)
	EHS-D EHS-K Electronic Sounder swiveling speaker (118 dB)	12-24 V AC/DC 230/240 V AC, 40-60 Hz	731 010 405 731 010 313	731 020 405 731 020 313
	EHL-D EHL-K Electronic Sounder short fixed speaker (110 dB)	12-24 V AC/DC 230/240 V AC, 40-60 Hz	730 010 405 730 010 313	730 020 405 730 020 313

Non-UL Signaling




M28 Panel Mount Alarms



Type	Description	Specifications	Catalog Number	
			Grey Housing	Black Housing
	ESD Panel Mount Alarm continuous tone (90 dB)	24 V AC/DC 230/240 V AC	810 000 405 810 000 313	810 100 405 810 100 313
	ESP Panel Mount Alarm pulsing tone (90 dB)	24 V AC/DC	811 000 405	811 100 405
	ESZ-S Panel Mount Alarm continuous/pulsing tone with spades (90 dB)	24 V AC/DC 230/240 V AC	809 000 405 809 000 313	809 100 405 809 100 313
	ESZ-K Panel Mount Alarm continuous/pulsing tone with terminal (90 dB)	24 V AC/DC 230/240 V AC	809 010 405 809 010 313	809 110 405 809 110 313
	BU2 Panel Mount Alarm pulsing tone (90 dB) ①	12 V AC/DC 24 V AC/DC		B100 520 404 B100 520 405
	BU3 pulsing tone (90 dB) ①	220 V AC		B100 520 313

BU1 Surface Mount Alarms





	Surface Mount Alarm Electronic Siren pulsing tone (108 dB)	12 V DC 24 V DC		B100 510 004 B100 510 005
---	--	--------------------	--	--

① Adjustable sound pressure.




DISCONTINUED

Weather Proof Telephones "SafeTel"

Type	Description	Specification	Catalog Number
	wST1 SafeTel Weather Proof Telephone with keypad/display	Black	410 110 000
	wST2 SafeTel Weather Proof Telephone no keypad/display	Black	410 120 000

Weather Proof Telephones "FernTel3"



Type	Description	Specification	Catalog Number ①
			⊕ = Housing Color
	wFT3 FernTel3 Weather Proof Telephone Zone 2	with spiral cord and display (only available in Black/Yellow)	410 300 ⊕00
		with spiral cord no display (only available in Black/Yellow or Black/Grey)	410 310 ⊕00
		with armoured cord and display (only available in Black/Yellow)	410 320 ⊕00
		with armoured cord no display (only available in Black)	410 330 ⊕00
	wFT3Z	with armoured cord no keypad/no display (only available in Black/Red)	410 340 ⊕00
	STB Stabilizer Bracket		410 400 900



Telephones

① To complete the catalog no., replace the ⊕ with one of the following numbers for desired housing color: 0 = Black, 1 = Black/Yellow (shown), 2 = Black/Red, 3 = Black/Grey.



Weather Proof Telephones "Industry"

DISCONTINUED



Type	Description	Specification	Catalog Number	
	wIND1 SafeTel Weather Proof Telephone	Yellow with keypad and yellow protection door	410 700 100	
		Yellow with no keypad and yellow protection door	410 710 100	
		Yellow with keypad and transparent protection door	410 700 110	
		Yellow with no keypad and transparent protection door	410 710 110	
	wIND2 SafeTel Weather Proof Telephone	Yellow with transparent protection door and LED call indicator	410 700 200	

Online Only




Weather-proof Telephone Accessories

DISCONTINUED

Type	Description	Specification	Catalog Number
	VS2 Weather-proof Visual-Audible Telephone Call Signaling sounder (95 dB @ 230 VAC) bulb included xenon 3J	Amber Red Clear Blue Green	410 201 005 410 202 005 410 204 005 410 205 005 410 206 005
	HS2 Weather-proof Headset Kit		410 200 001
	TCR Weather-proof telephone connecting relay		410 100 200

Telephone Protection Hoods

Type	Description	Specification	Catalog Number
	TH1 GRP (glass reinforced plastic)	Amber	410 100 007
	Metal	Yellow	410 100 006
	TH1C Metal console for floor mounting, fits all TH1 hoods	Yellow	410 100 011




Explosion Proof Telephones "ExSafeTel"






DISCONTINUED

Type	Description	Specification	Catalog Number	
	dST1 ExSafeTel Explosion Proof Telephone with keypad/display	Black Red	410 010 000 410 010 100	
	dST2 ExSafeTel Explosion Proof Telephone no keypad/display	Black Red	410 020 000 410 020 100	

Explosion Proof Telephones "FernTel3"



Type	Description	Specification	Catalog Number ①	
			☉ = Housing Color	
	dFT3 FernTel3 Explosion Proof Telephone Zone 2, 22	with armored cord and display (Only available in Black/Red)	410 420 ☉00	
		with armored cord no display (Only available in Black/Red)	410 430 ☉00	
	STB Stabilzer Bracket	for vibration resistance	410 400 900	




Accessories for ExSafeTel and FernTel3				
	AS1 Ex-proof Audible Telephone Call Signaling sounder (90 dB)		410 100 004	
	VS1 Ex-proof Visual-Audible Telephone Call Signaling sounder (90 dB)	Amber	410 101 005	
		Red	410 102 005	
		Clear	410 104 005	
		Blue	410 105 005	
		Green	410 106 005	
	EP1 Ex-proof Additional Earpiece Set		410 100 002	
	HS1 Ex-proof Headset Kit		410 100 001	
	mTCR Ex-proof telephone connecting relay, Zones 1, 21		410 100 100	

① To complete the catalog no., replace the ☉ with one of the following numbers for desired housing color: 0 = Black, 1 = Black/Yellow, 2 = Black/Red (shown), 3 = Black/Grey.




Explosion Proof Signaling Horns



Type	Description	Specifications	Catalog Number
	dHH1 Explosion-proof Signal Horn (105 dB) AC	2230 V AC, 50 Hz	300 000 113
	dHH2 Explosion-proof Signal Horn (105 dB) DC	24 V DC	300 000 005
	mHPT Explosion-proof Signal Horn (108 dB) Impact resistant Synthetic Temperature range T5 Zones 1, 2	24 V DC 115 V AC 230 V AC	301 100 005 301 100 110 301 100 113
	mHTG Explosion-proof Signal Horn (108 dB) Aluminum Temperature range T5 Zone 1, 2 and 21, 22	24 V DC 230 V AC	302 100 005 302 100 113

Signal Bells



Type	Description	Specifications	Catalog Number
	dHW1 Explosion-proof Signal Bell (105 dB) DC	24 V DC	320 000 005
	dHWR1 Explosion-proof Signal Bell with telephone call relay	230 V AC, 50 Hz	320 100 113

J
Explosion Proof Signaling



Auer Signal

SPECIAL ORDER

Explosion Proof Signaling
Signal Bells, Speakers & Sounders

Electronic Sounders

Type	Description	Specifications	Catalog Number
	dMS1 Explosion-proof electronic multi-tone siren (115 dB)	85 - 265 V AC	370 000 313
	dMS2 Explosion-proof electronic multi-tone siren (115 dB)	24 V DC	370 000 005
	MK-dMS Mounting kit for vibration applications		371 000 900

Strobe Beacons

Type	Description	Specifications	Catalog Number ^❶
	dSF1 Explosion-proof Xenon Strobe Beacon with protective cage, AC	110/120 V AC, 50-60 Hz, 5 J	335 10❶ 410
		230/240 V AC, 50-60 Hz, 5 J	335 10❶ 413
		110/120 V AC, 50-60 Hz, 15 J	335 00❶ 410
dSF2 Explosion-proof Xenon Strobe Beacon with protective cage, DC	230/240 V AC, 50-60 Hz, 15 J	335 00❶ 413	
	24 V DC, 5 J	335 10❶ 005	
	24 V DC, 15 J	335 00❶ 005	
	Lens colors: 1, 2, 4, 5, 6 only		

❶ To complete the catalog number, replace the ❶ with one of the following numbers for desired lens color:
1 = Amber, 2 = Red, 4 = Clear, 5 = Blue, 6 = Green

J
Explosion Proof Signaling



LED Signal Beacons

Type	Description	Specifications	Catalog Number ^①
	dSD1 Explosion-proof LED Signal Beacon with protection cage	85-265 V AC	335 210 313
	dSD2 Explosion-proof LED Signal Beacon with protection cage	24 V DC	335 210 005
		48 V DC Red Yellow	335 212 008 335 217 008
Lens colors: 2, 4, 5, 6, 7 only			
	mDD1 Explosion-proof LED Signal Beacon	230 V AC	336 000 413
	mDD2 Explosion-proof LED Signal Beacon	24 V DC	336 000 005
	Lens colors: 2, 4, 5, 6, 7 only		
	mMD1 Explosion-proof Multi-Color LED Signal Beacon	230 V AC	337 000 313
	mMD2 Explosion-proof Multi-Color LED Signal Beacon	24 V DC	337 000 005
	MPL Mounting plate for combinations of dSF, dSD, mDD, mMD, dMS	stainless steel, includes exp-proof junction box	335 500 000



Use MPL mounting plate to create Visual + Audible signaling in explosion proof environments.

Visual-Audible Signaling Sounder

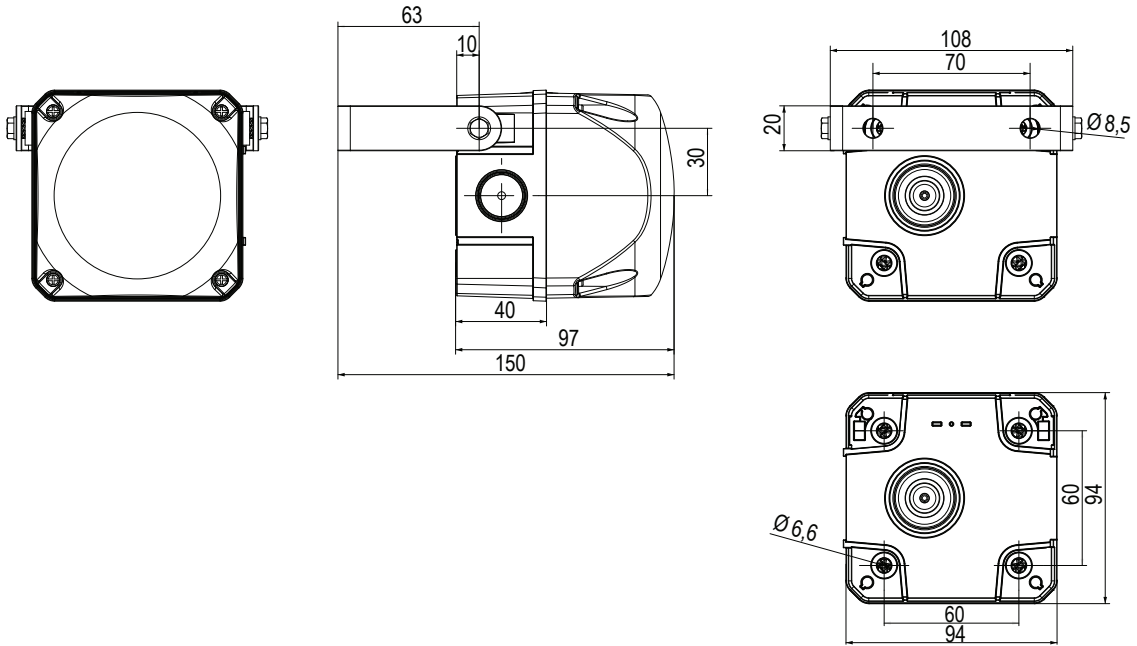
Type	Description	Specifications	Catalog Number ^①
	VS1 Explosion-proof Visual-Audible signaling sounder (90 dB)	230 V AC, 50 Hz	410 100 005
	Lens colors: 1, 2, 4, 5, 6 only		

^① To complete the catalog number, replace the with one of the following numbers for desired lens color: 2 = Red, 4 = Clear, 5 = Blue, 6 = Green, 7 = Yellow.

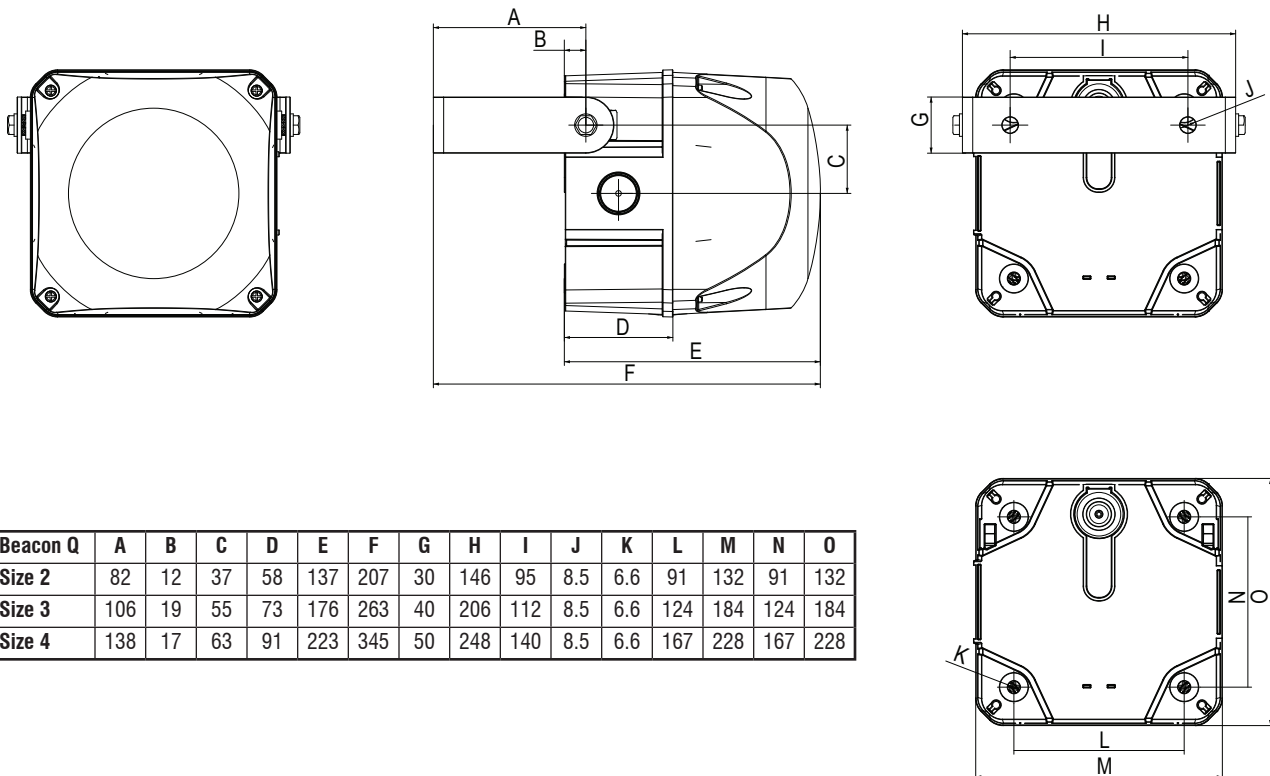


Beacons Q, Size 1 (QDS/QFS)

Dimensions are in millimeters. Dimensions not intended for manufacturing purposes.



Beacons Q, Size 2-4 (QDM/QFM/QDL/QBL/QDX/QBX)

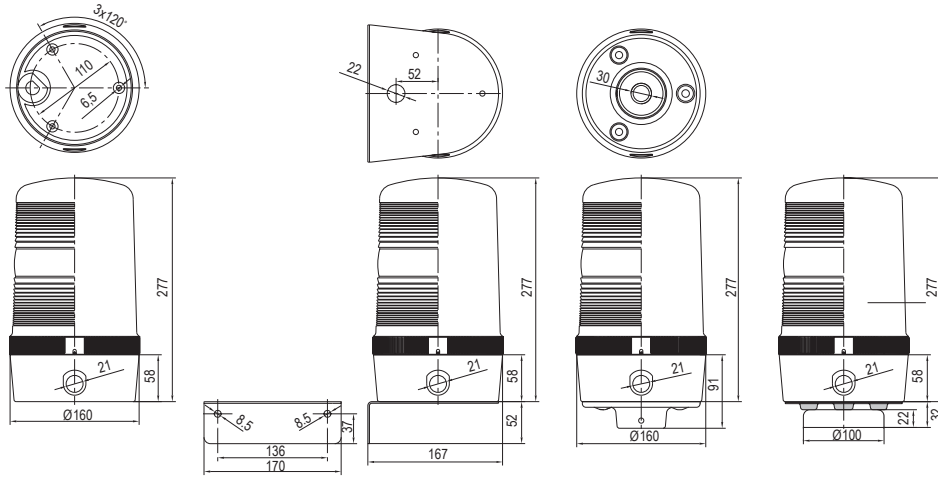


Beacon Q	A	B	C	D	E	F	G	H	I	J	K	L	M	N	O
Size 2	82	12	37	58	137	207	30	146	95	8,5	6,6	91	132	91	132
Size 3	106	19	55	73	176	263	40	206	112	8,5	6,6	124	184	124	184
Size 4	138	17	63	91	223	345	50	248	140	8,5	6,6	167	228	167	228

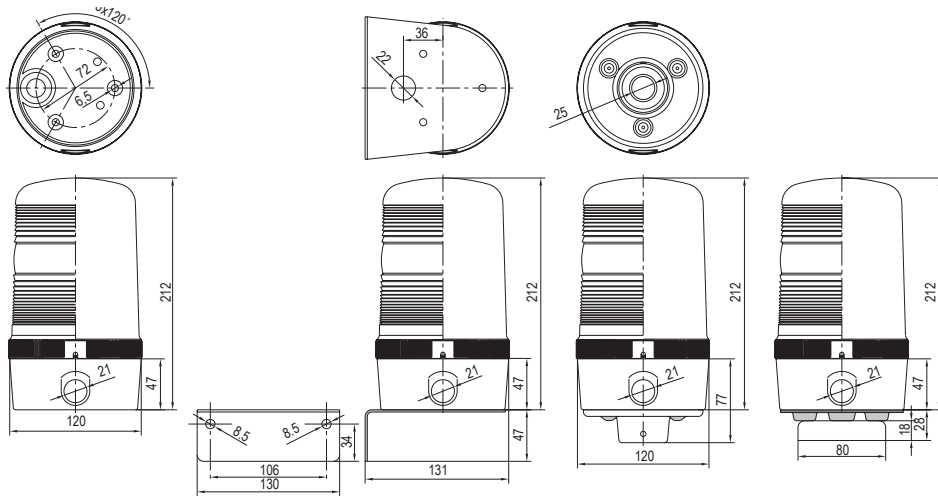


Modular Beacons M 160mm (MLL/MBL/MFL/MRL)

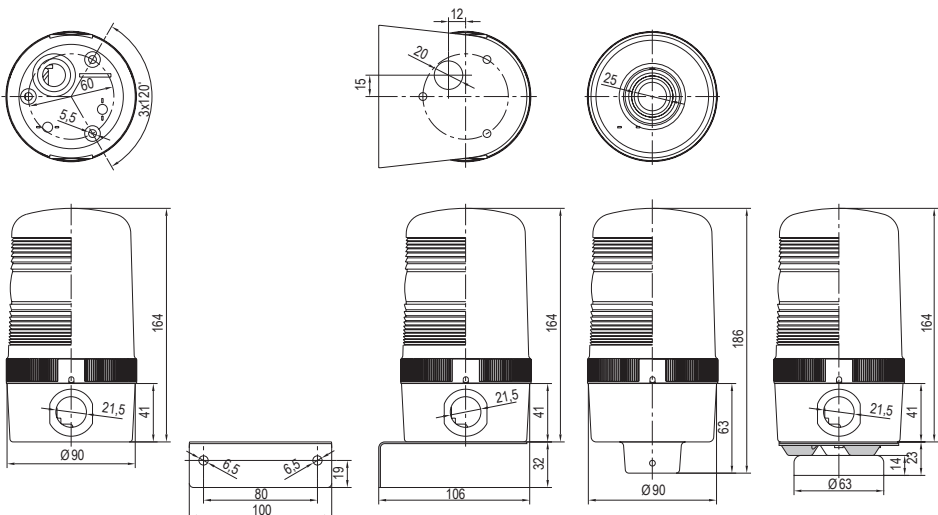
Dimensions are in millimeters. Dimensions not intended for manufacturing purposes.



Modular Beacons M 120mm (MLM/MBM/MFM/MRM)



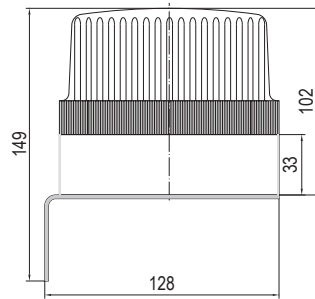
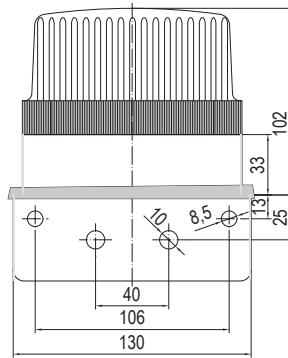
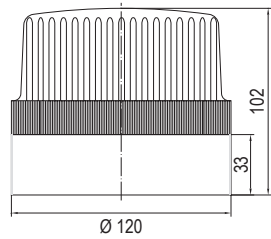
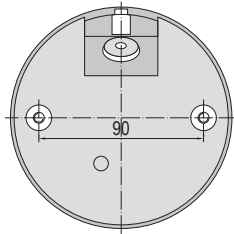
Modular Beacons M 90mm (MLS/MBS/MFS/MRS)



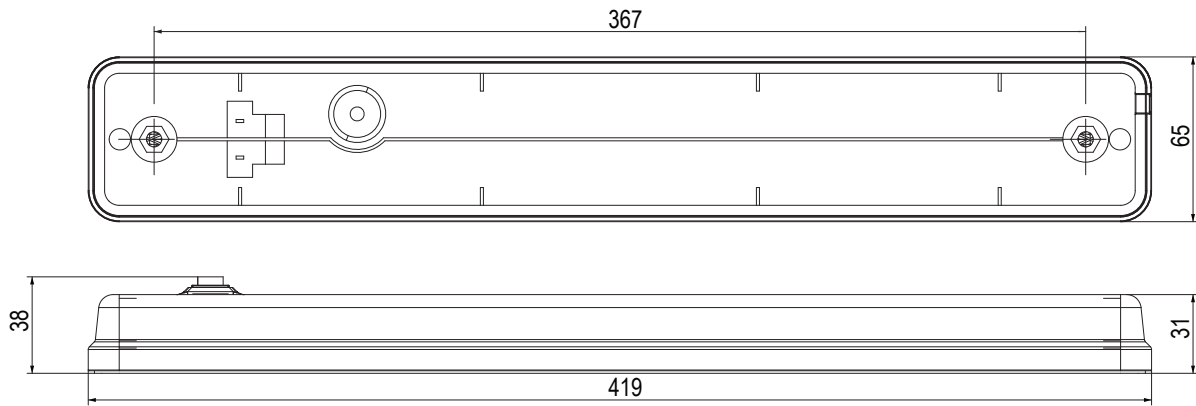


Beacons G 120mm (WLG/BKG/FLG/DLG/BLG)

Dimensions are in millimeters. Dimensions not intended for manufacturing purposes.



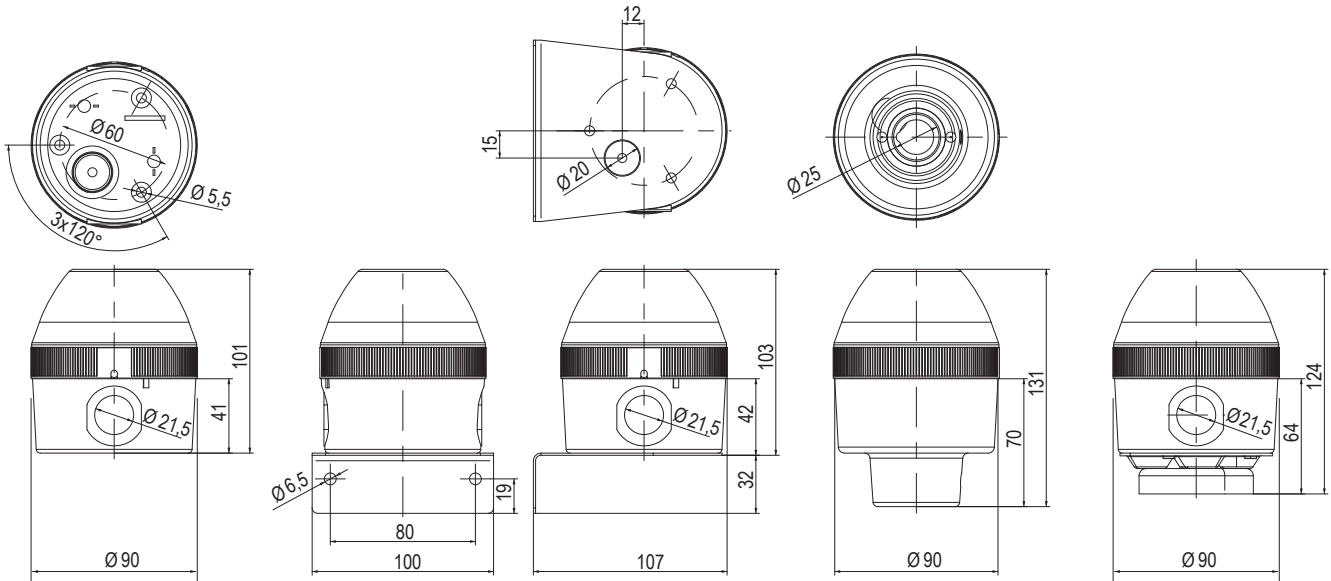
LED Light Bar (ILL42)





Beacons N 90mm (NES/NFS/NMS/NFS-HP/NMS-HP)

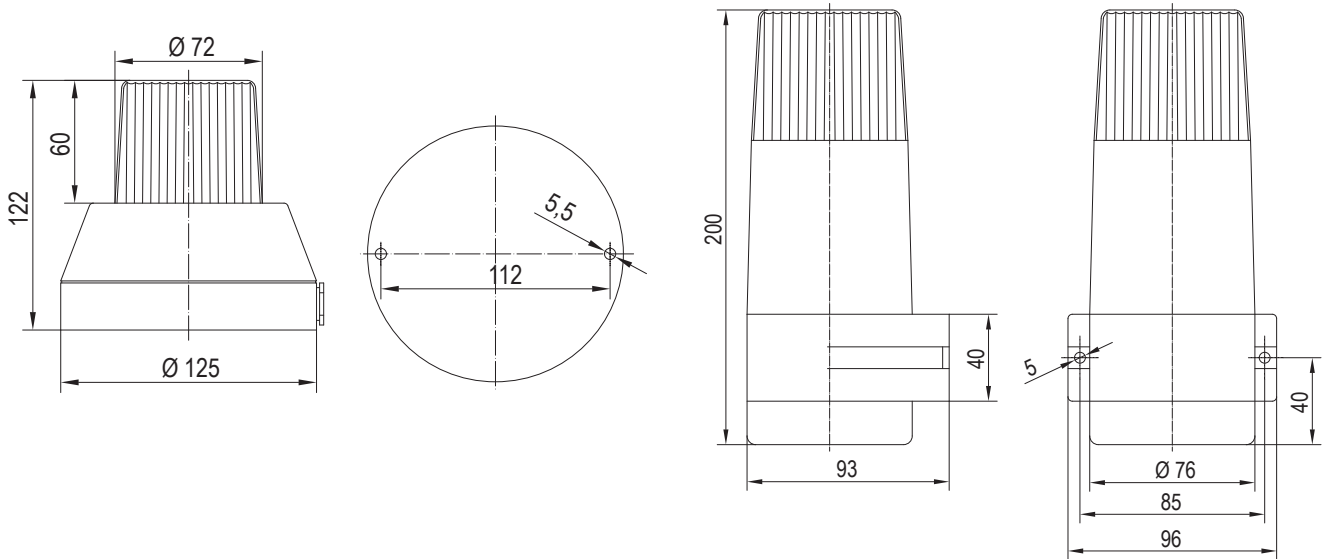
Dimensions are in millimeters. Dimensions not intended for manufacturing purposes.



Beacons Z (BZG/BZL)

BZG

BZL



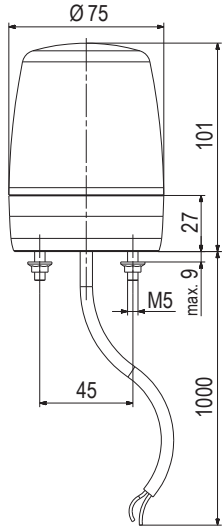
J

Visual Signaling

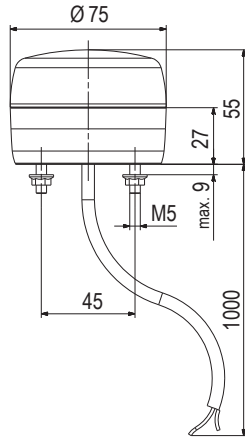


Beacons P 75mm (PCH/PFH/PMH/PXH/PCL/PFL/PXL)

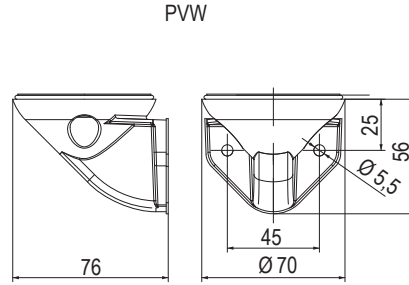
Dimensions are in millimeters. Dimensions not intended for manufacturing purposes.



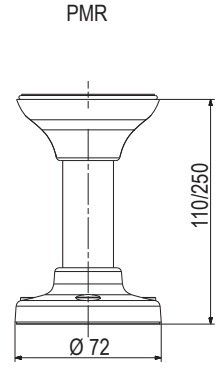
High Profile Lens



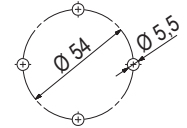
Low Profile Lens



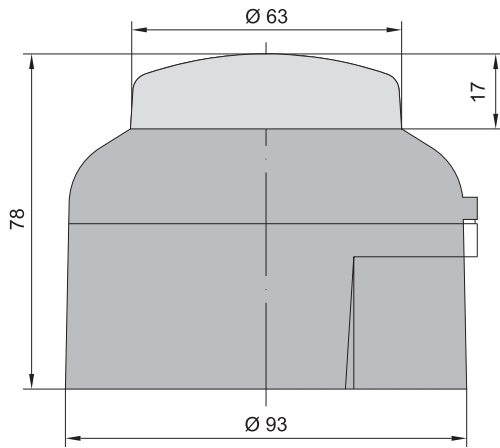
PVW



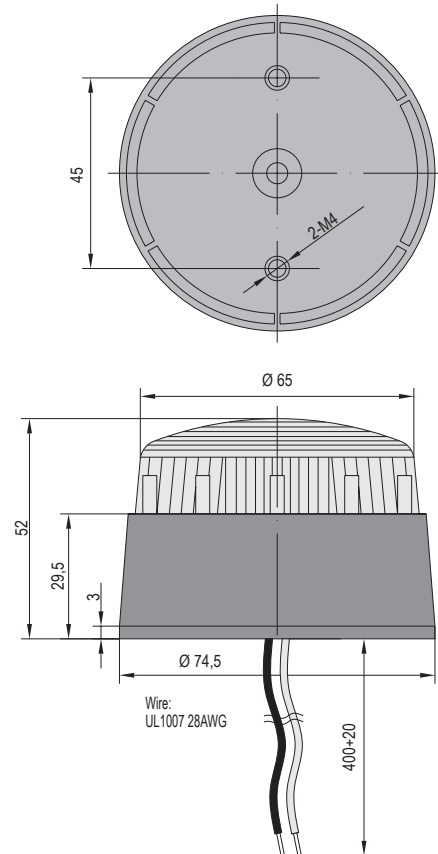
PMR



Beacon (BC1)



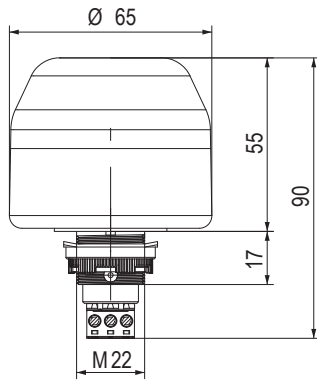
Beacon (XB2)



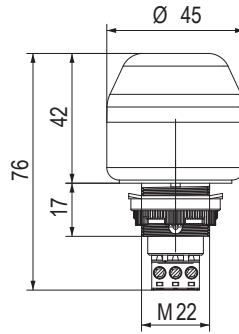


M22 Panel Mount Beacons I (IBL/IBM/IBS/ICL/ICM/ISS/ISL/ISM/IDL/IDM/IDS/ITL/ITM/ITS)⁰

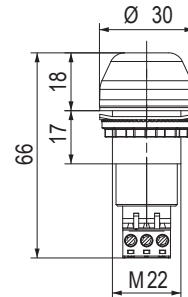
Dimensions are in millimeters. Dimensions not intended for manufacturing purposes.



IBL, ICL, ISL
IDL, ITL

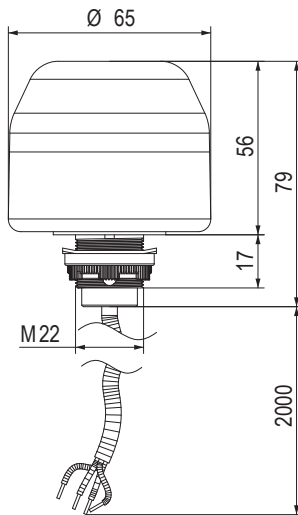


IBM, ICM, ISM
IDM, ITM

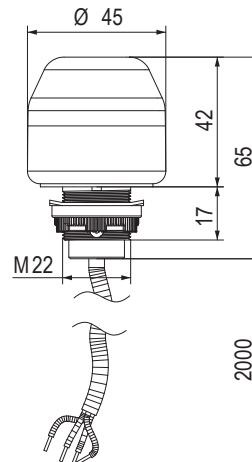


IBS, ICS, ISS
IBS, ITS

M22 Panel Mount 3-Color Steady Beacons I (IML/IMM)



IML

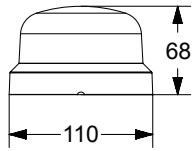


IMM

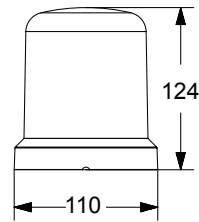


Modular Beacons Series R

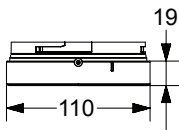
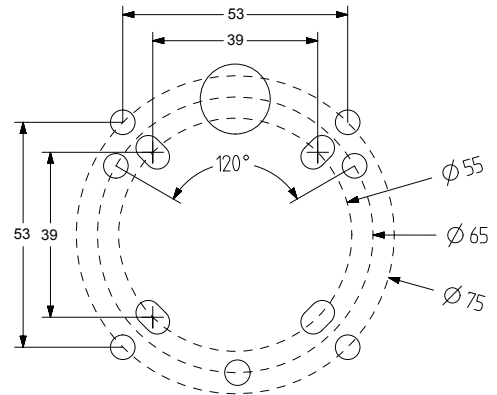
Dimensions are in millimeters. Dimensions not intended for manufacturing purposes.



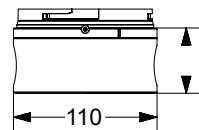
RCDM, RCMM



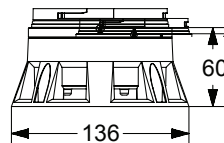
RDC, RDM, RDMHP, RMM



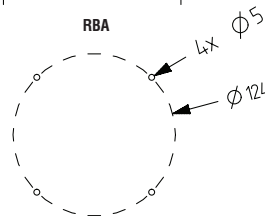
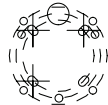
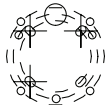
RBL



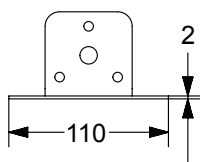
RBH, RBNPT



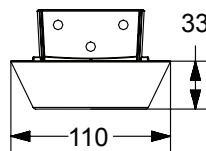
RBA



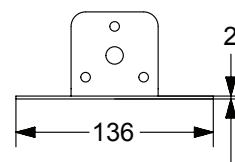
Series R Vertical Mounting Bases



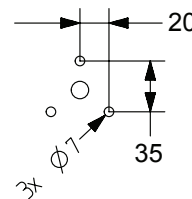
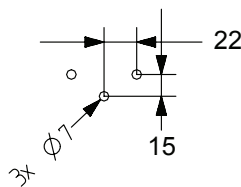
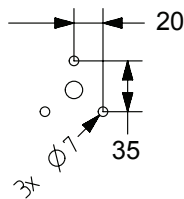
RWU



RWD

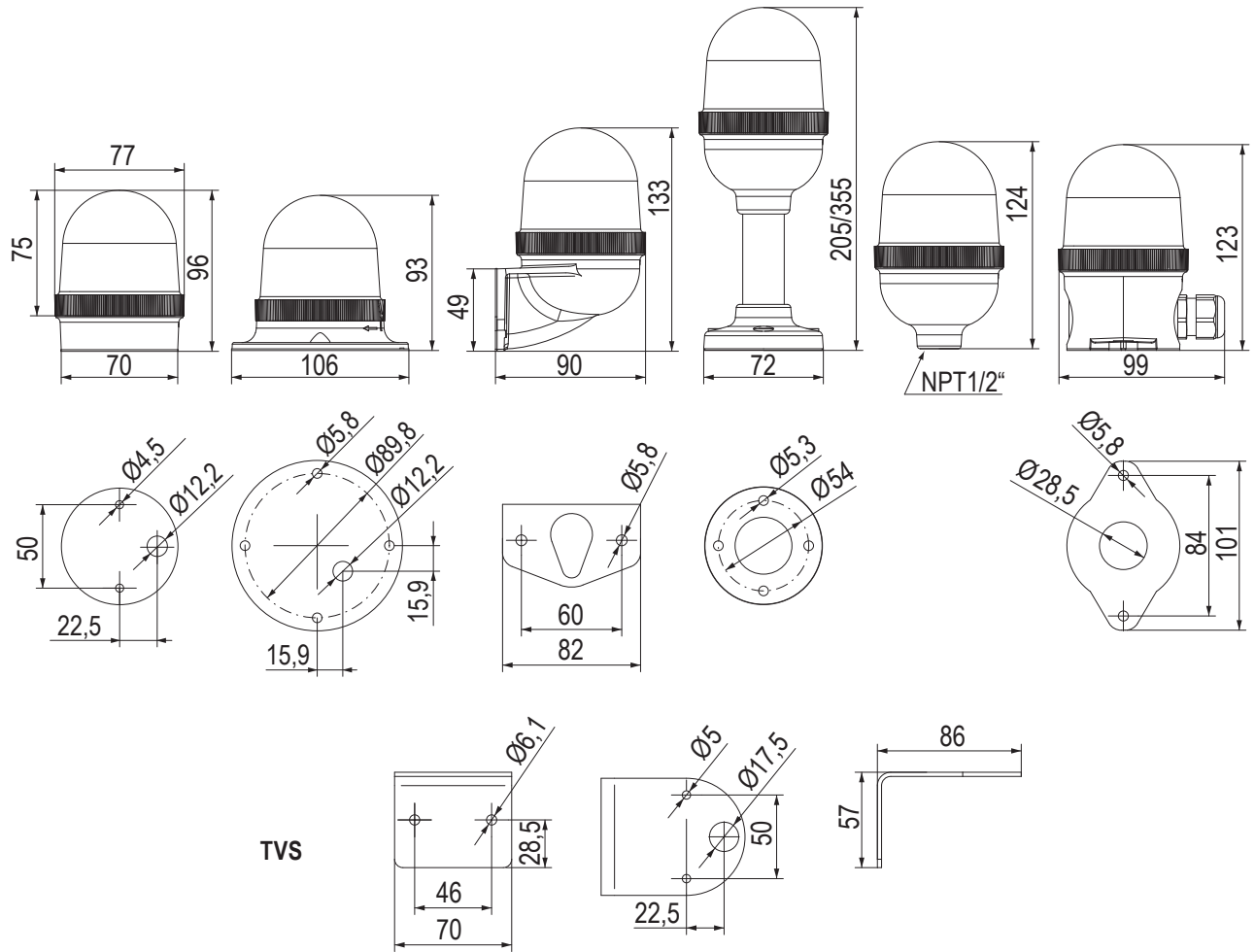


RWA



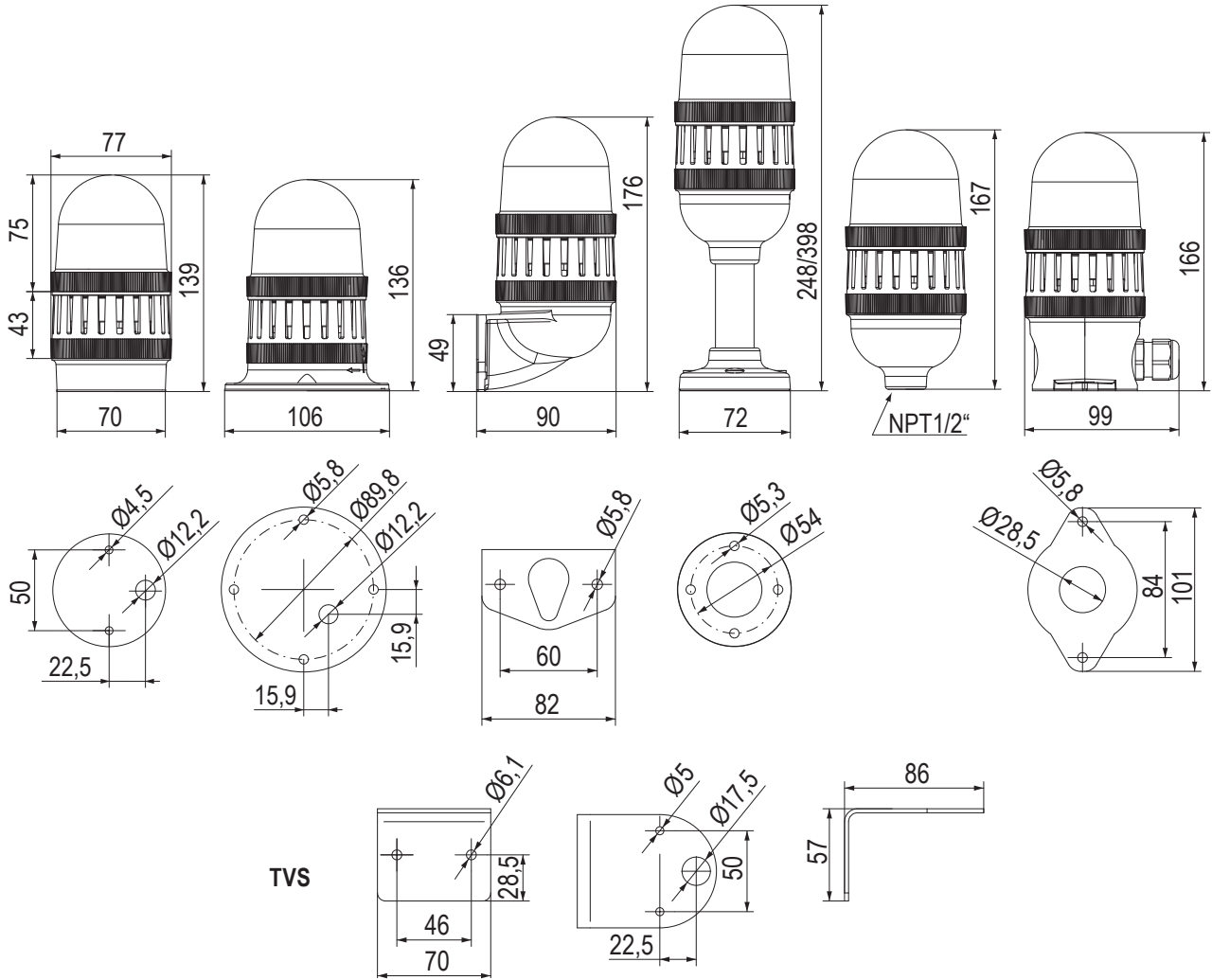


Beacons Series T 70mm (TDC/TDF/TLL)



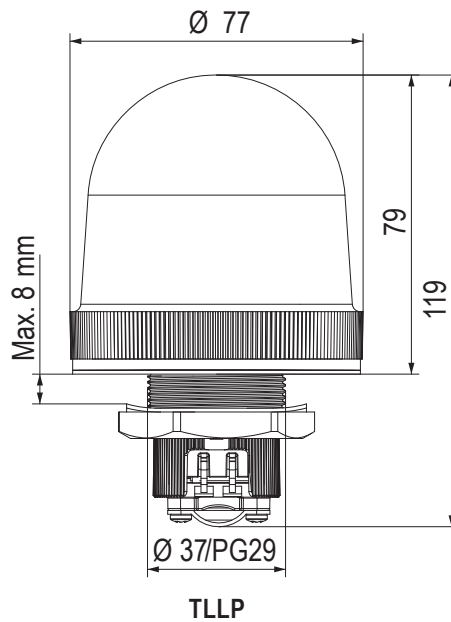
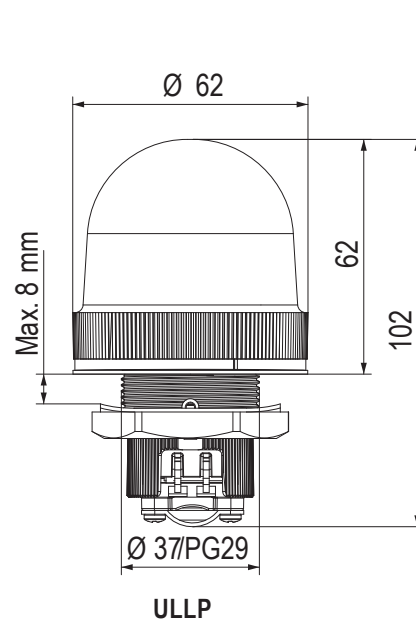
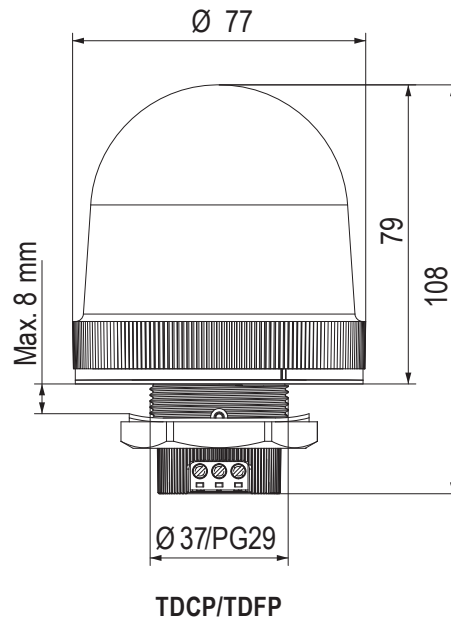
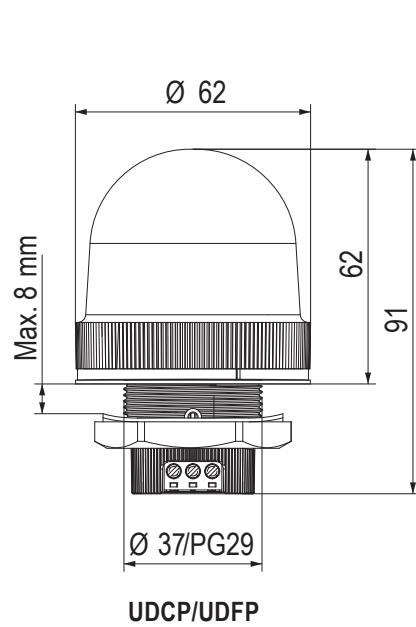


Beacons Series T 70mm plus Buzzer (TDE)



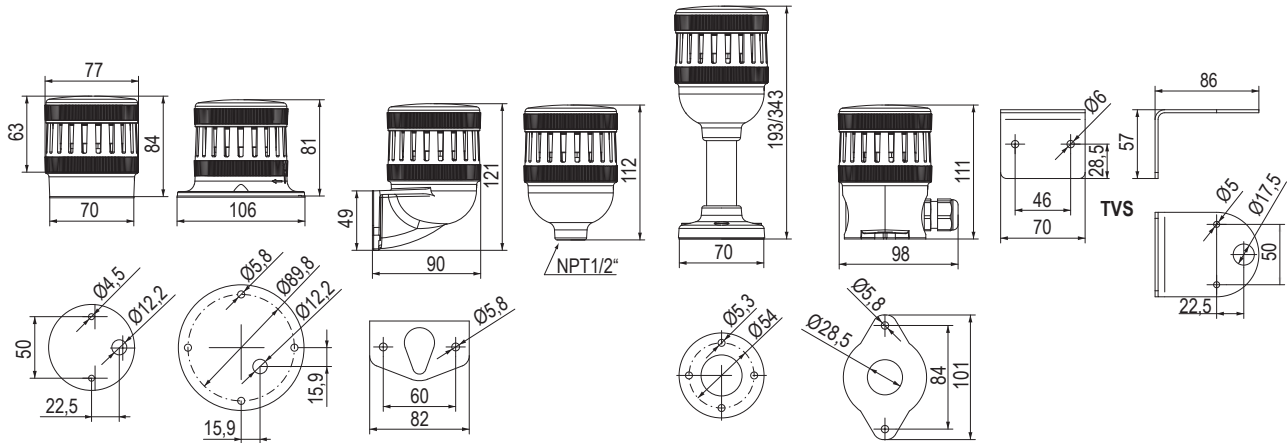


Panel Mount Beacons Series T (TDCP/TDFP/TLLP) & U (UDCP/UDFP/ULLP)

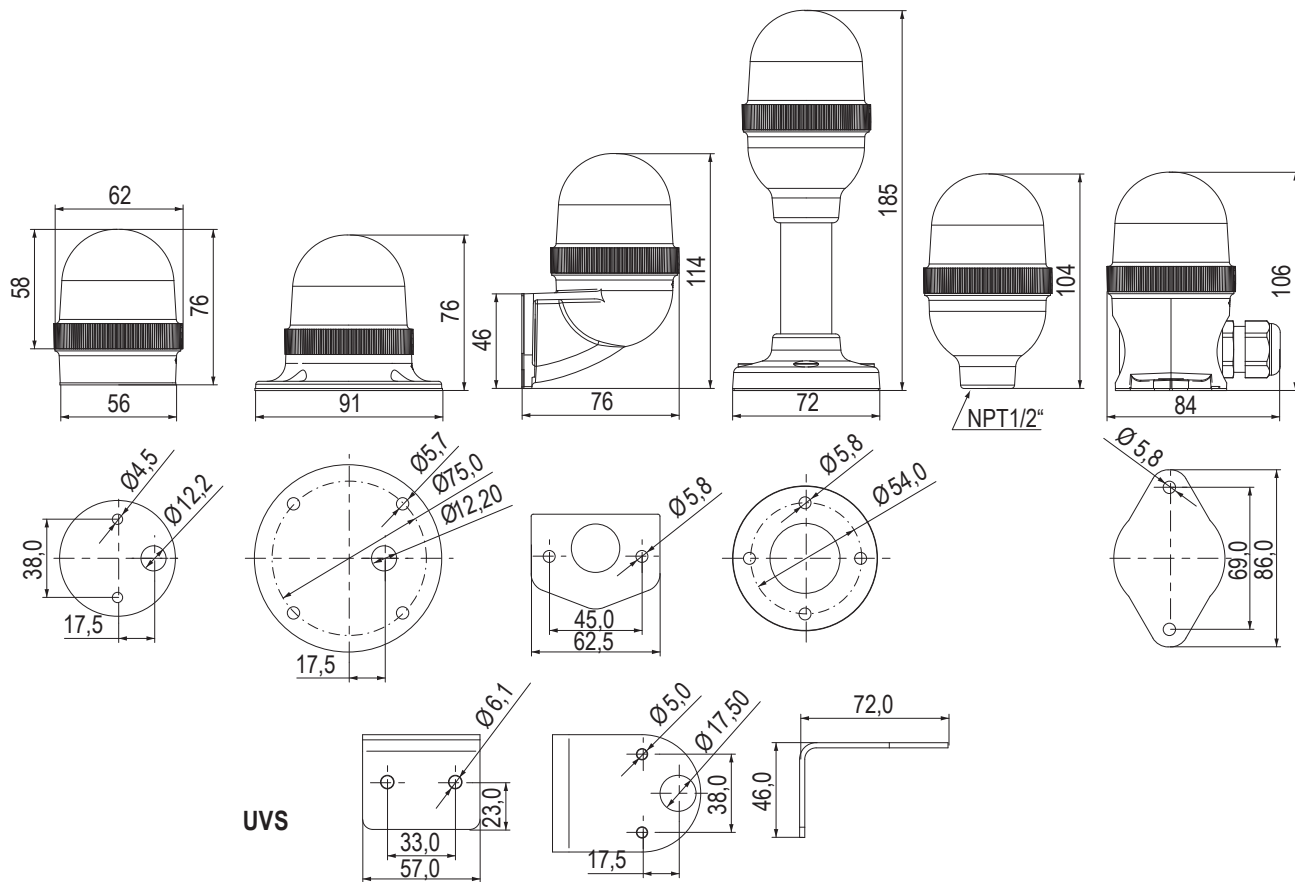




Sounder Series T 75mm (TDE)



Beacons Series U 60mm (UDC/UDF/ULL)

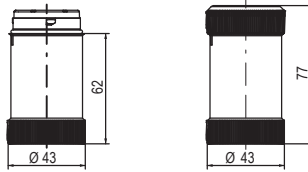




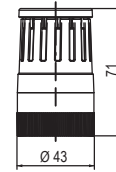
ECOmodul 40mm Towers

Dimensions are in millimeters. Dimensions not intended for manufacturing purposes.

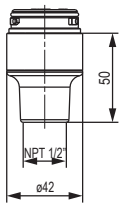
ZLL, ZDC, ZDA, ZDF, ZFF



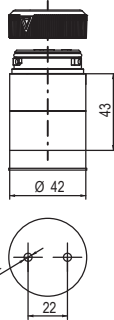
ZDE



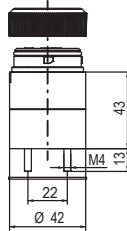
ZNW



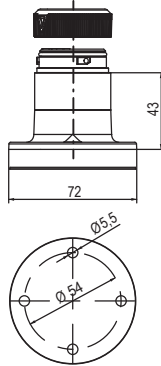
ZMW



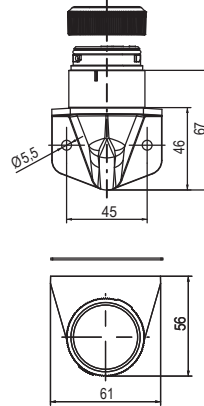
ZMS



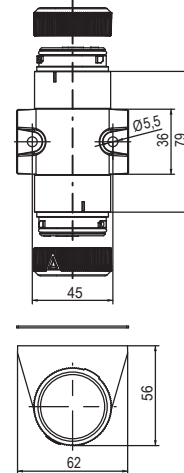
ZMF



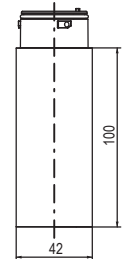
ZMV



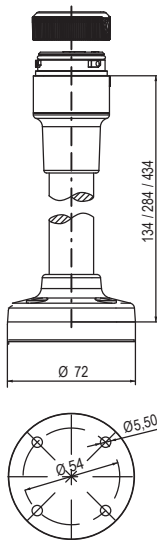
ZZV



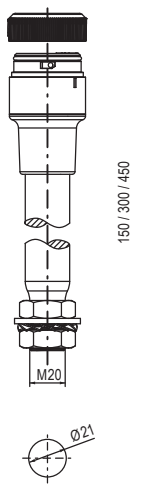
ZEP



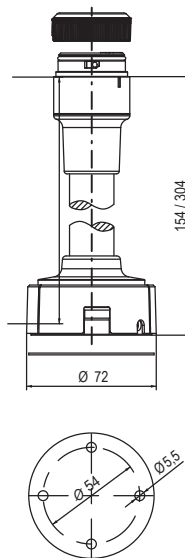
ZMR



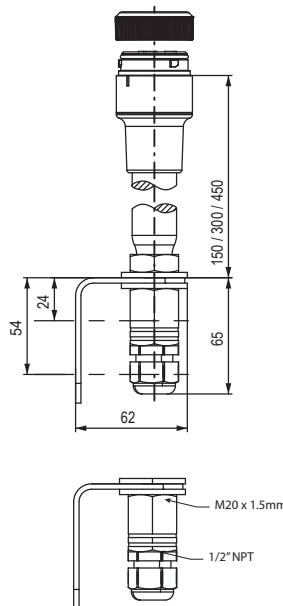
ZSW



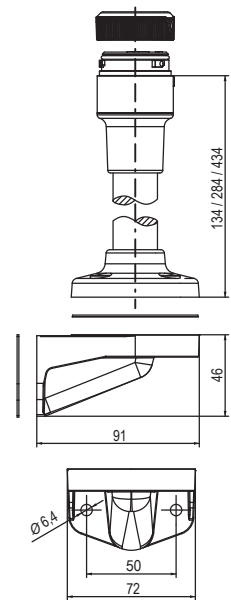
ZFR



ZSW+XSS



ZMR+XWR

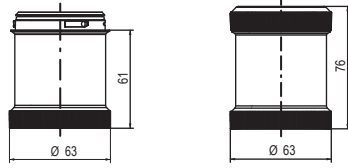




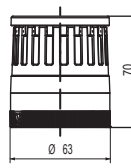
ECOmodul 60mm Towers

Dimensions are in millimeters. Dimensions not intended for manufacturing purposes.

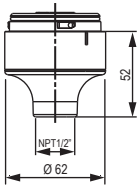
YLL, YDC, YDA, YDF, YFF



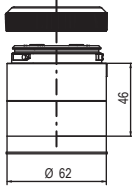
YDE



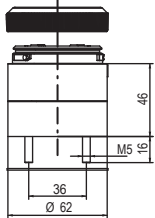
YNW



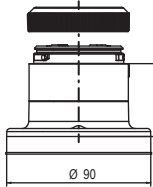
YMW



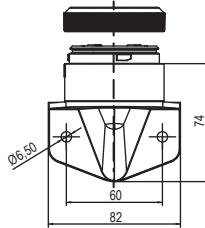
YMS



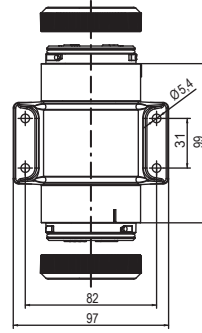
YMF



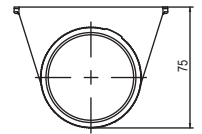
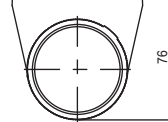
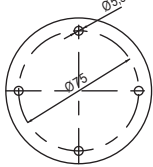
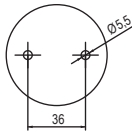
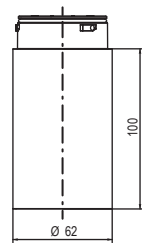
YMV



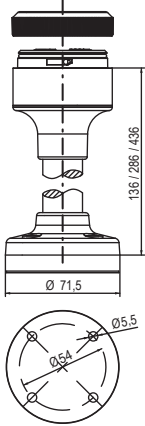
YZV



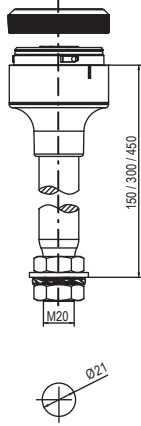
YEP



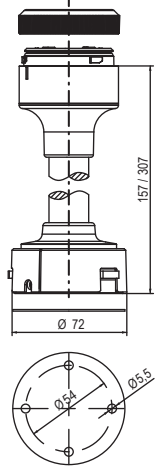
YMR



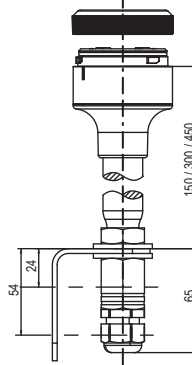
YSW



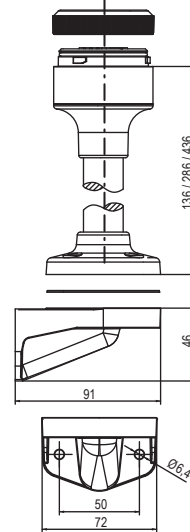
YFR



YSW+XSS



YMR+XWR



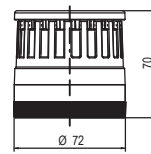
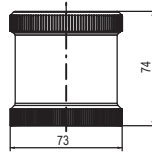
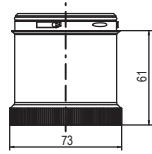


ECOmodul 70mm Towers

Dimensions are in millimeters. Dimensions not intended for manufacturing purposes.

XLL, XDC, XDA, XDF, XFF

XDE, XDZ, XDM



XNW

XMW

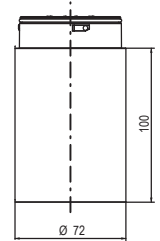
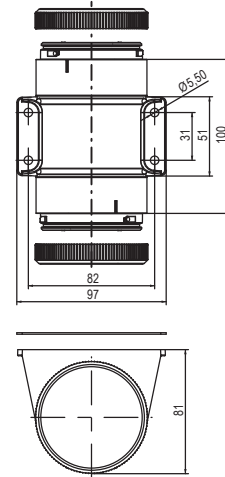
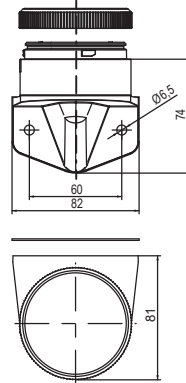
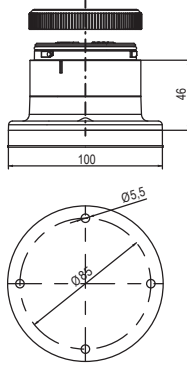
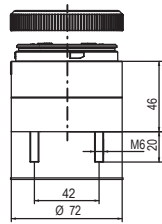
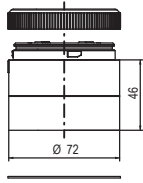
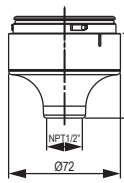
XMS

XMF

XMV

XZV

XEP



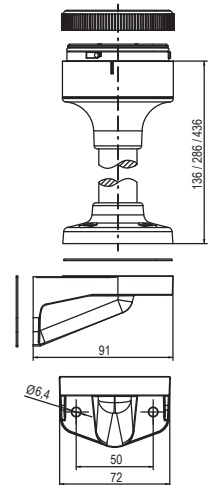
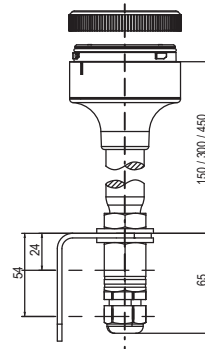
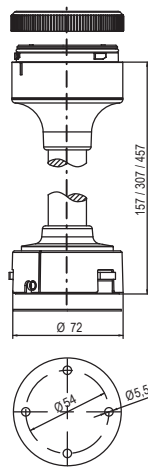
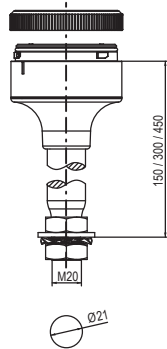
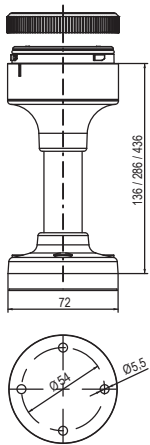
XMR

XSW

XFR

XSW+XSS

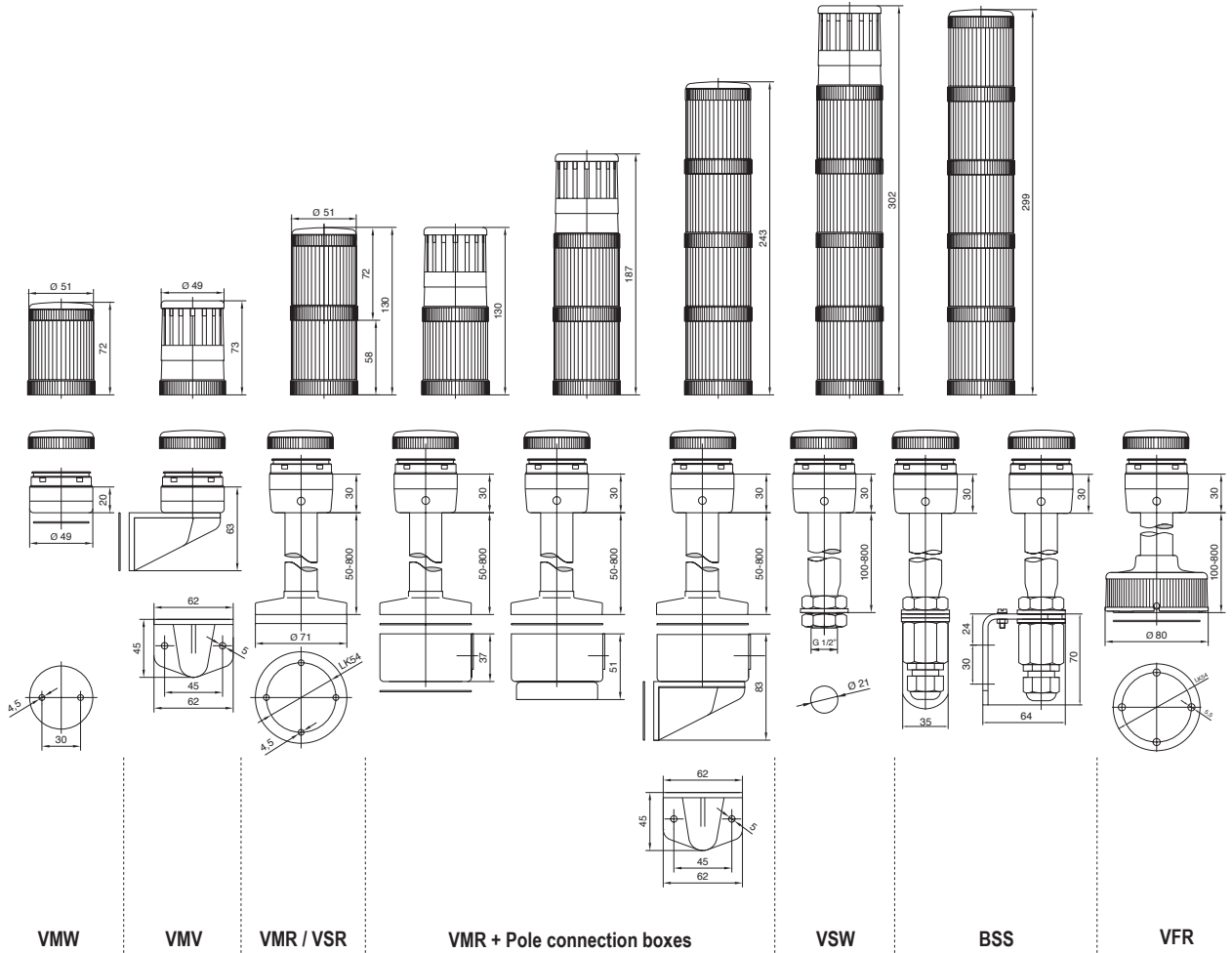
XMR+XWR





modulSIGNAL 50mm Towers

Dimensions are in millimeters. Dimensions not intended for manufacturing purposes.

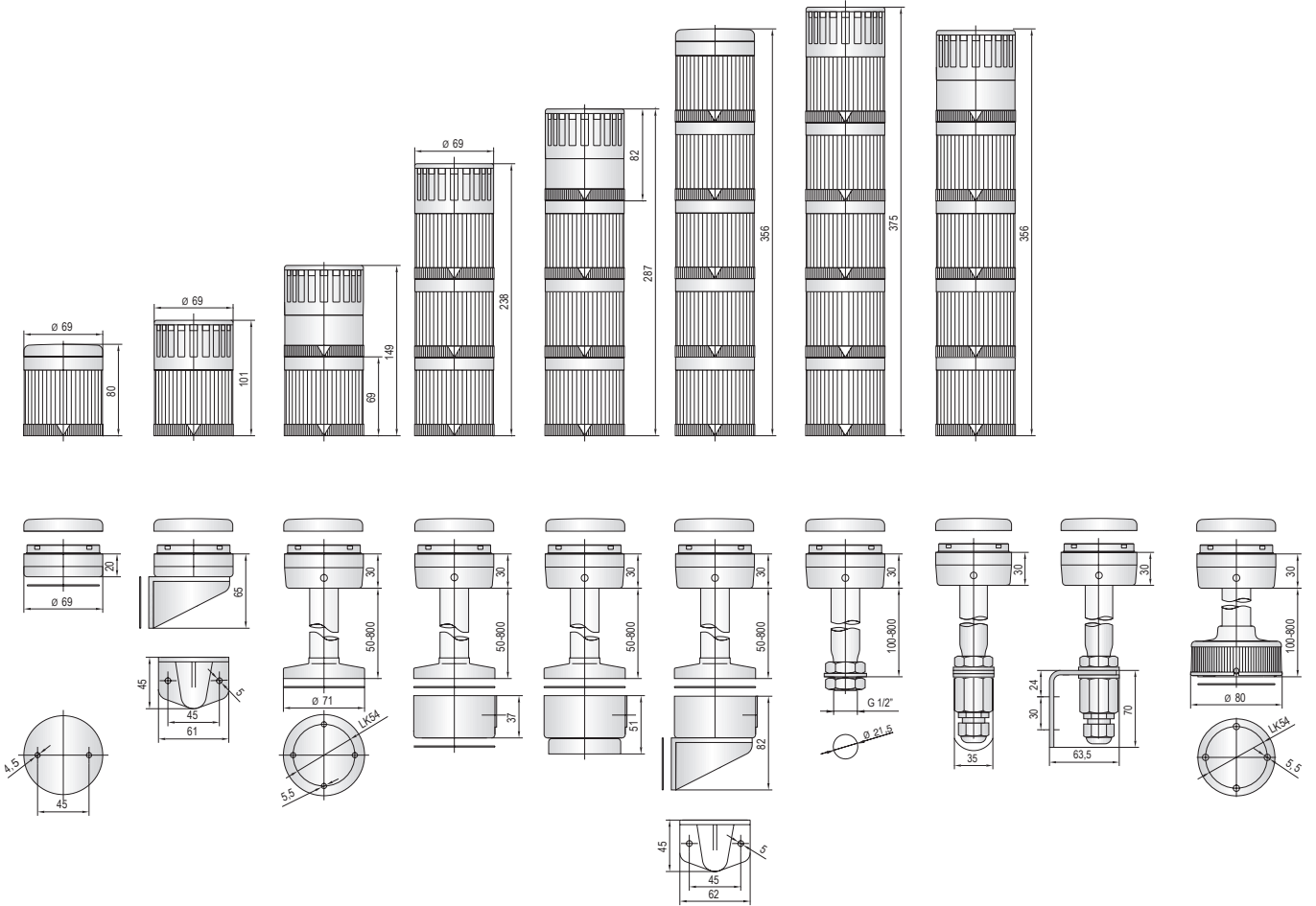


Warning Tower Lights



modulSIGNAL 70mm Towers

Dimensions are in millimeters. Dimensions not intended for manufacturing purposes.

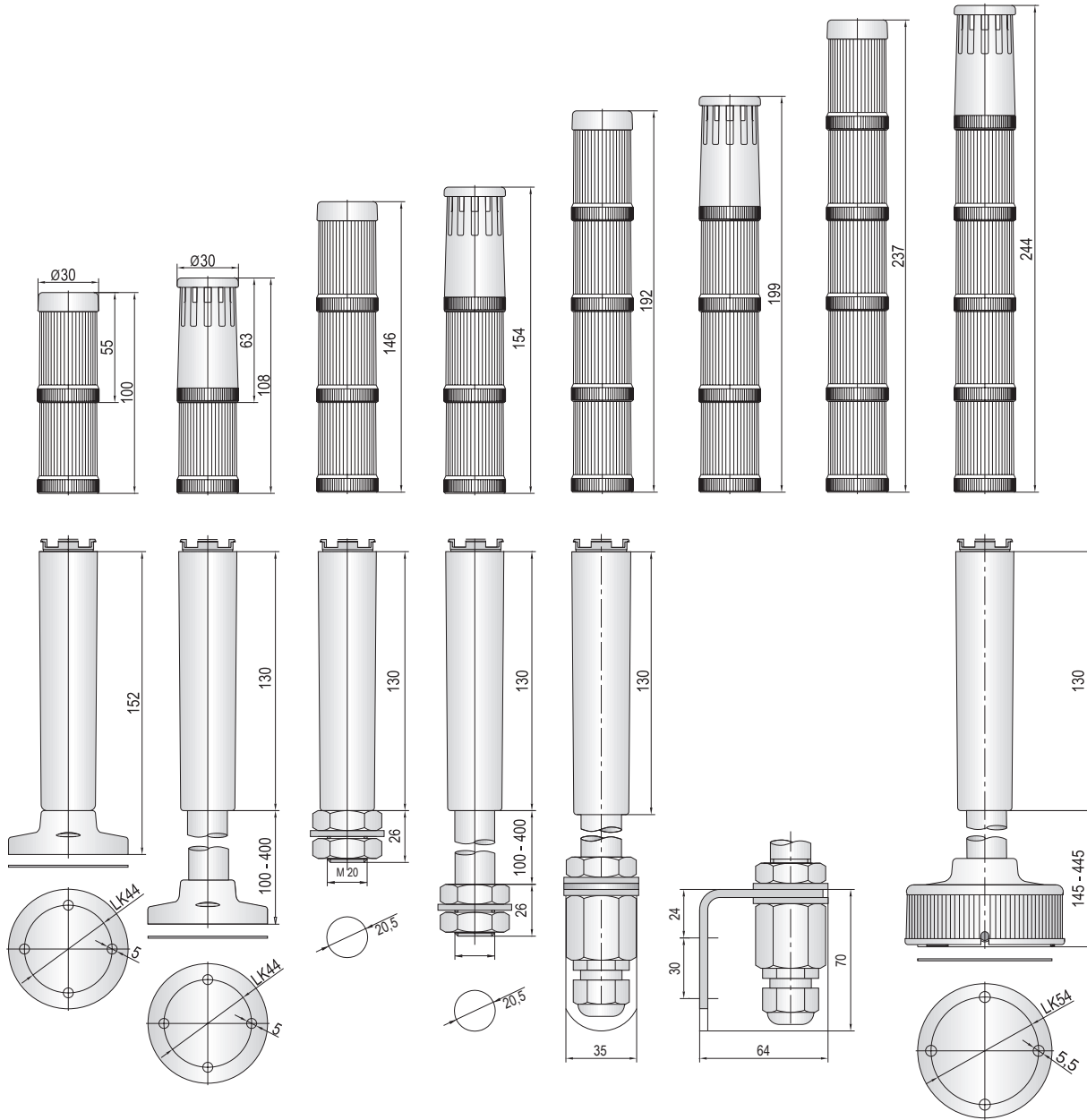


J
Warning Tower Lights



modulCOMPACT 30mm Towers

Dimensions are in millimeters. Dimensions not intended for manufacturing purposes.

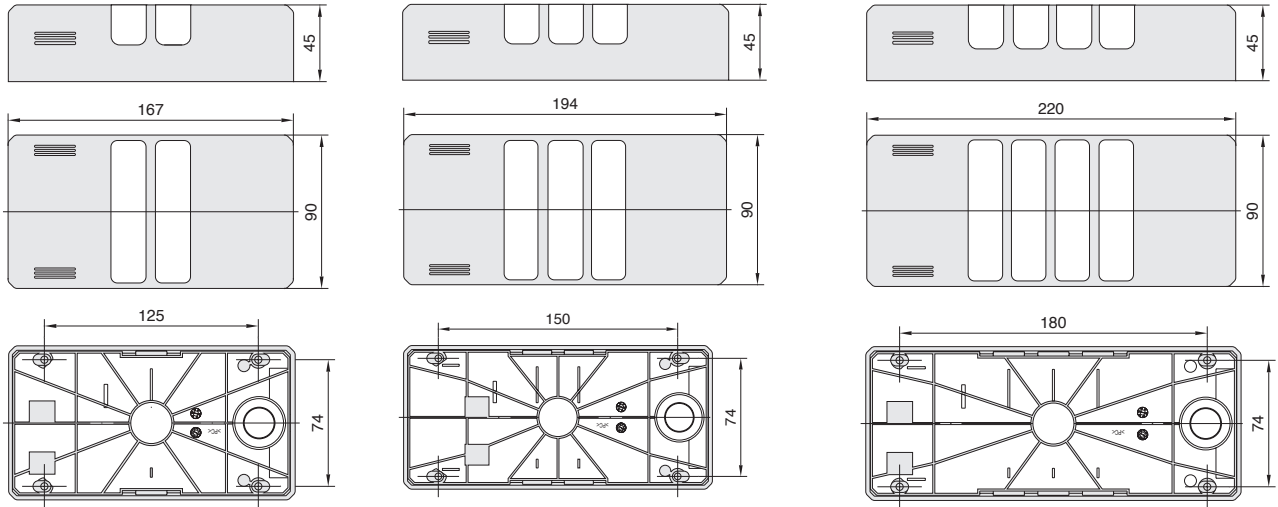


Warning Tower Lights



halfDOME 90mm Towers

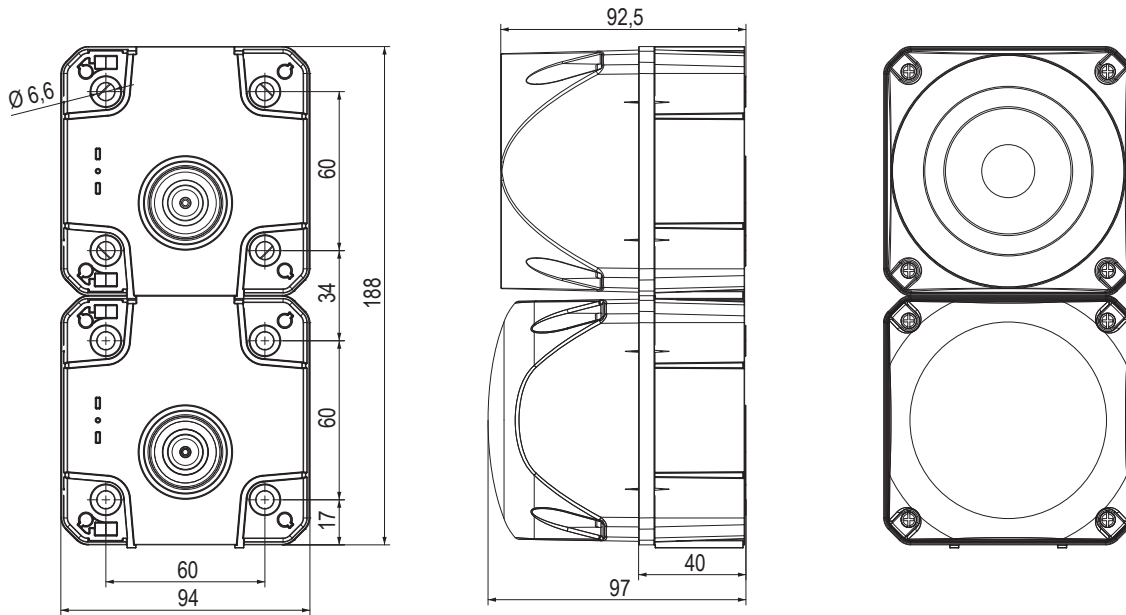
Dimensions are in millimeters. Dimensions not intended for manufacturing purposes.



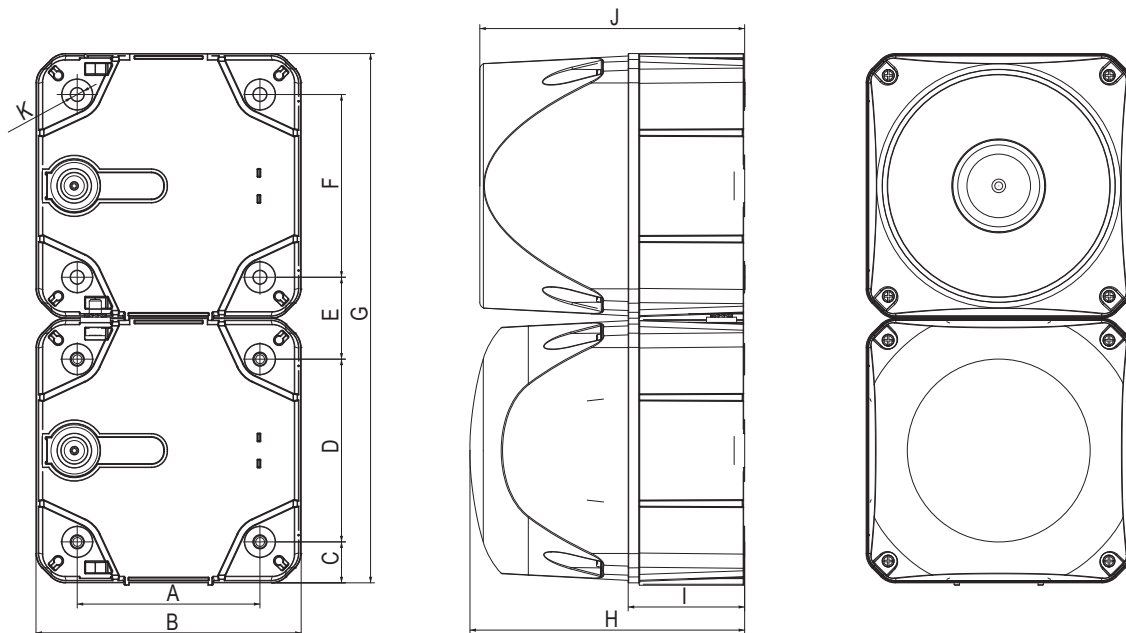


Combination Beacons Q + Sounders A - Size 1

Dimensions are in millimeters. Dimensions not intended for manufacturing purposes.



Combination Beacons Q + Sounders A - Size 2-4

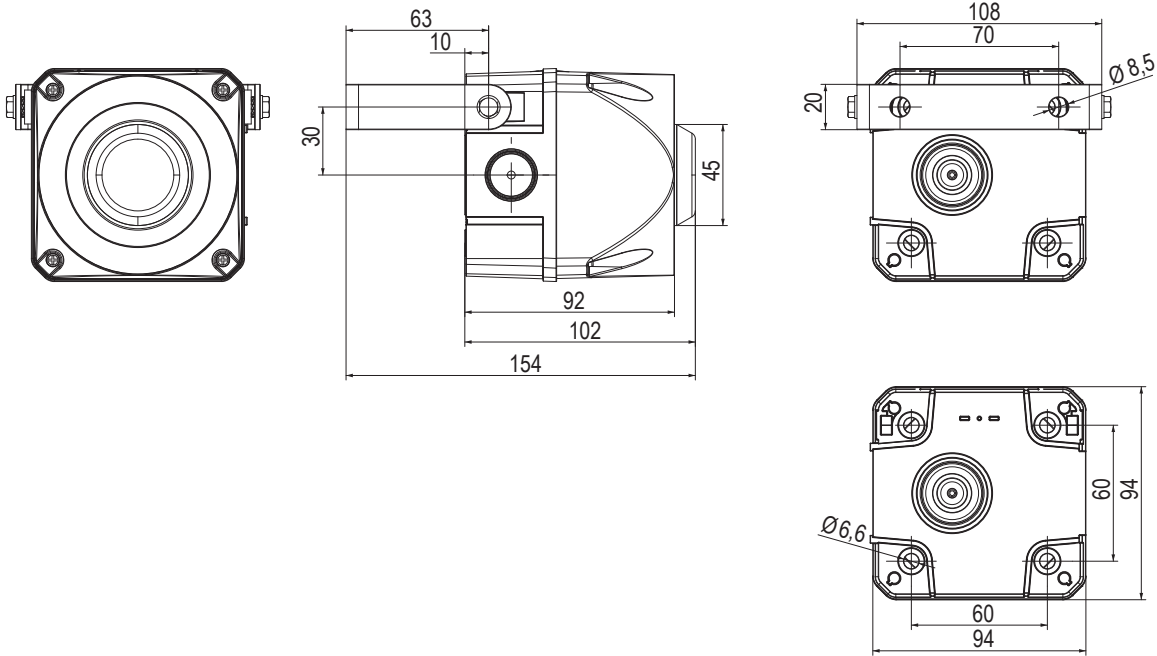


	A	B	C	D	E	F	G	H	I	J	K
Size 2	91	132	20	91	41	91	264	137	57	132	6.6
Size 3	124	184	30	124	59	124	367	176	73	169	6.6
Size 4	167	228	30	137	61	167	457	223	91	217	6.6

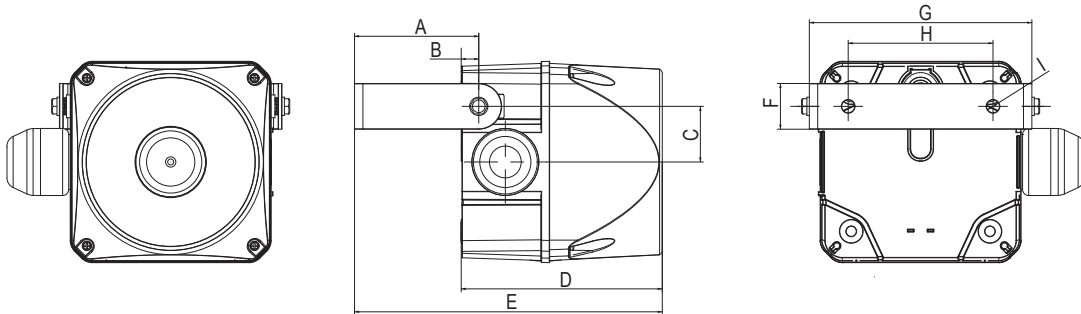


Alarm Sounders A with Light Indicator - Size 1 (ADS-P/ADS-T)

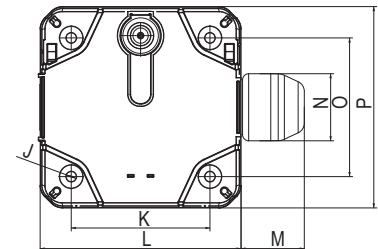
Dimensions are in millimeters. Dimensions not intended for manufacturing purposes.



Alarm Sounders A with Light Indicator - Size 2-4 (ADM/ACM/ADL/ACL/ADX/ACX)



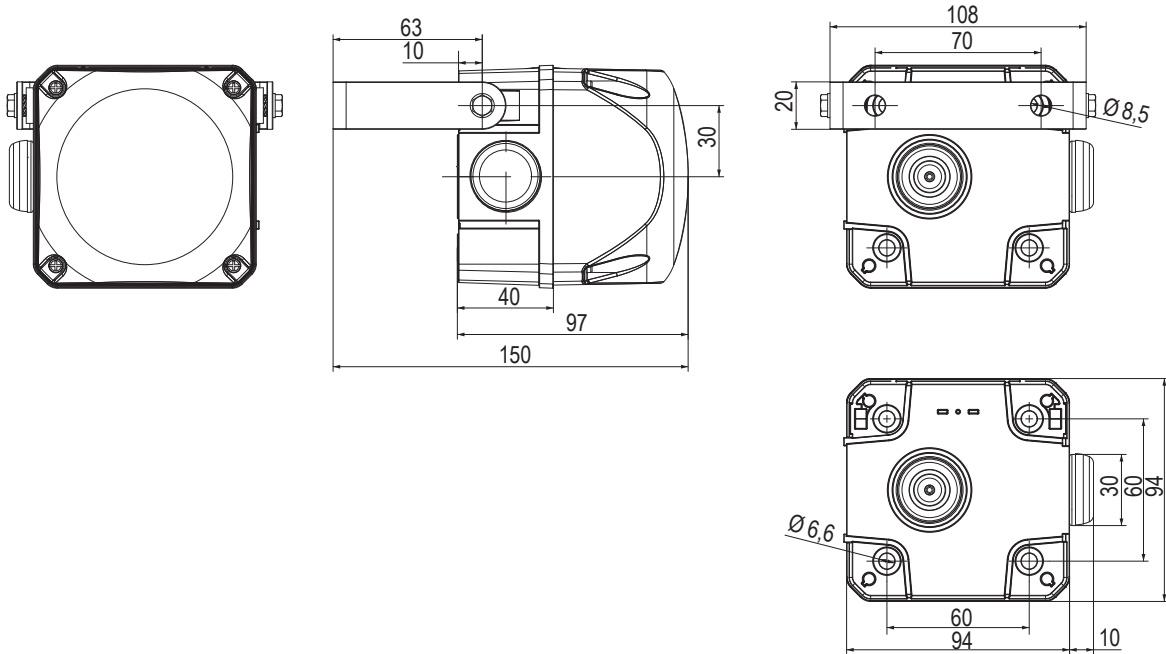
	A	B	C	D	E	F	G	H	I	J	K	L	M	N	O	P
Size 2	82	12	37	132	202	30	146	95	8.5	6.6	91	132	42	45	91	132
Size 3	106	19	55	169	256	40	206	112	8.5	6.6	124	184	56	64	124	184
Size 4	138	17	63	217	339	50	248	140	8.5	6.6	167	228	56	64	167	228



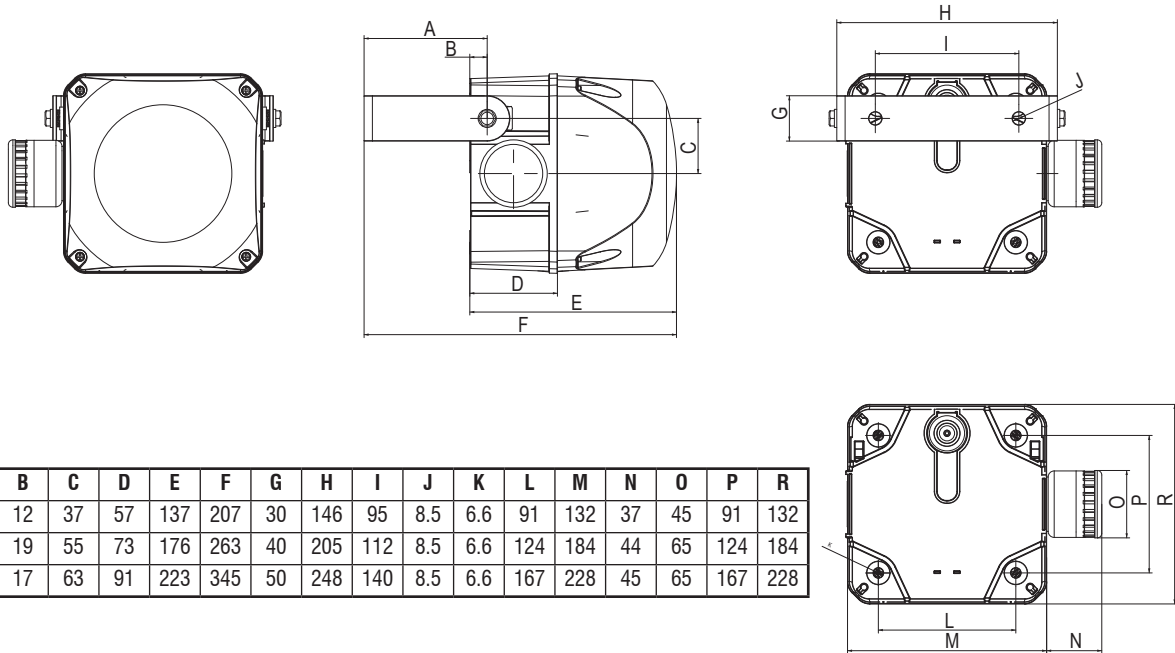


Beacons Q with Buzzer Indicator - Size 1 (QSS/QTS)

Dimensions are in millimeters. Dimensions not intended for manufacturing purposes.



Beacons Q with Buzzer Indicator - Size 2-4 (QSM/QTM/QSL/QCL/QSX/QCX)



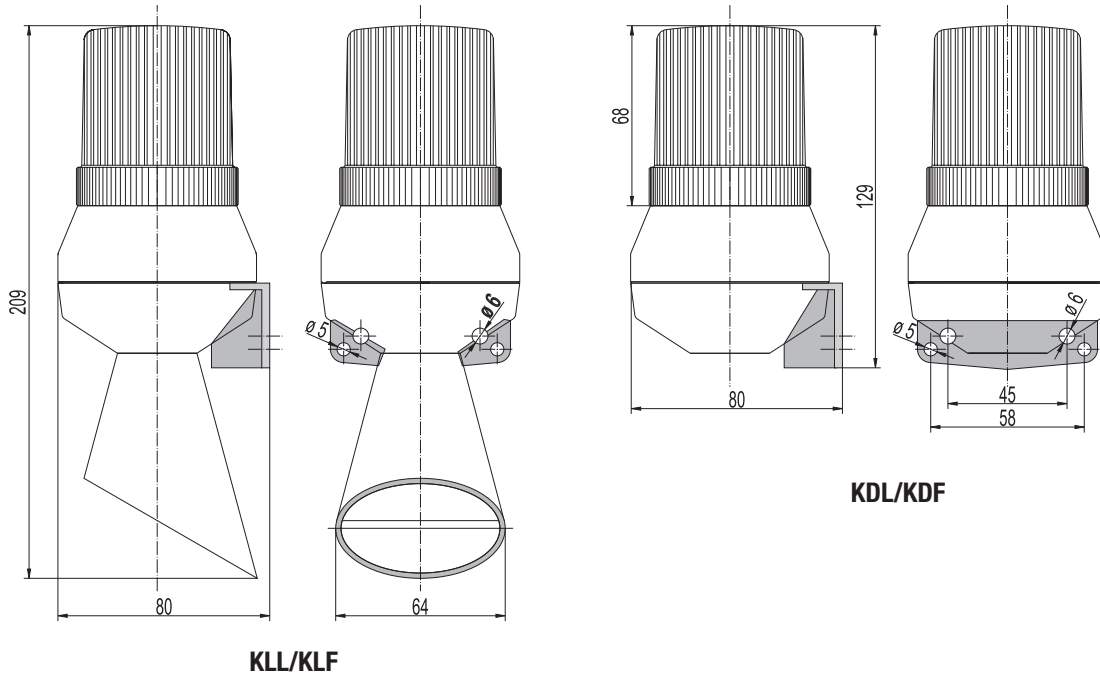
	A	B	C	D	E	F	G	H	I	J	K	L	M	N	O	P	R
Size 2	82	12	37	57	137	207	30	146	95	8.5	6.6	91	132	37	45	91	132
Size 3	106	19	55	73	176	263	40	205	112	8.5	6.6	124	184	44	65	124	184
Size 4	138	17	63	91	223	345	50	248	140	8.5	6.6	167	228	45	65	167	228

Visual + Audible Signaling

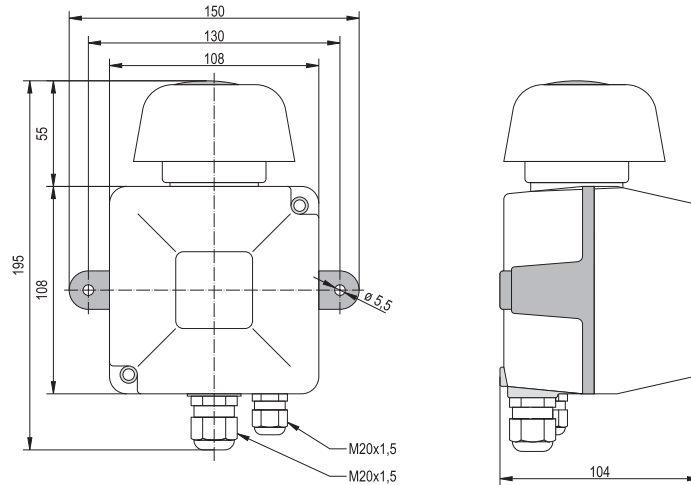


Mini-Horn Signal Beacon (KLL/KDL/KLF/KDF)

Dimensions are in millimeters. Dimensions not intended for manufacturing purposes.



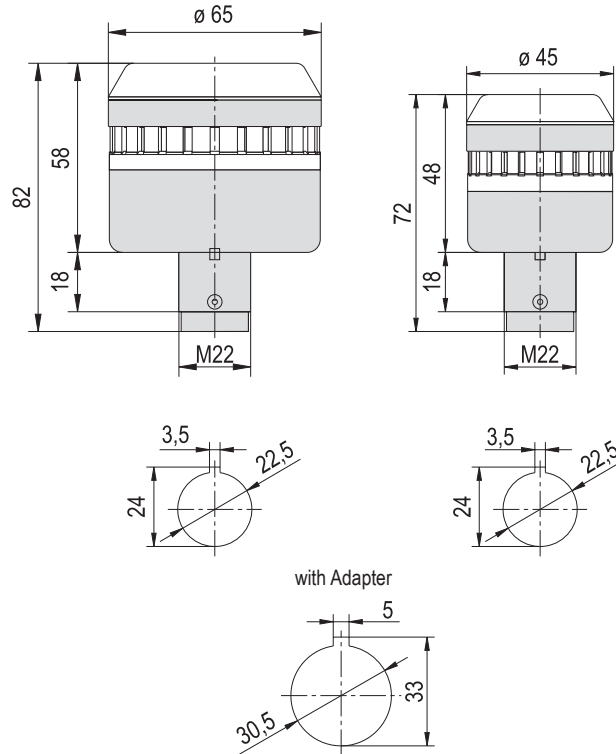
Signaling Sounder, Strobe Beacon (VS4), Telephone Call (VS2) & Exp-Proof (VS1)



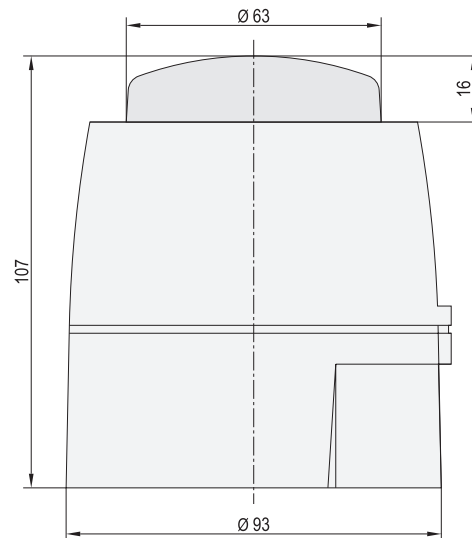


M22 Panel Mount Buzzer with LED Beacon (ELG/ELM/EDG/EDM)

Dimensions are in millimeters. Dimensions not intended for manufacturing purposes.



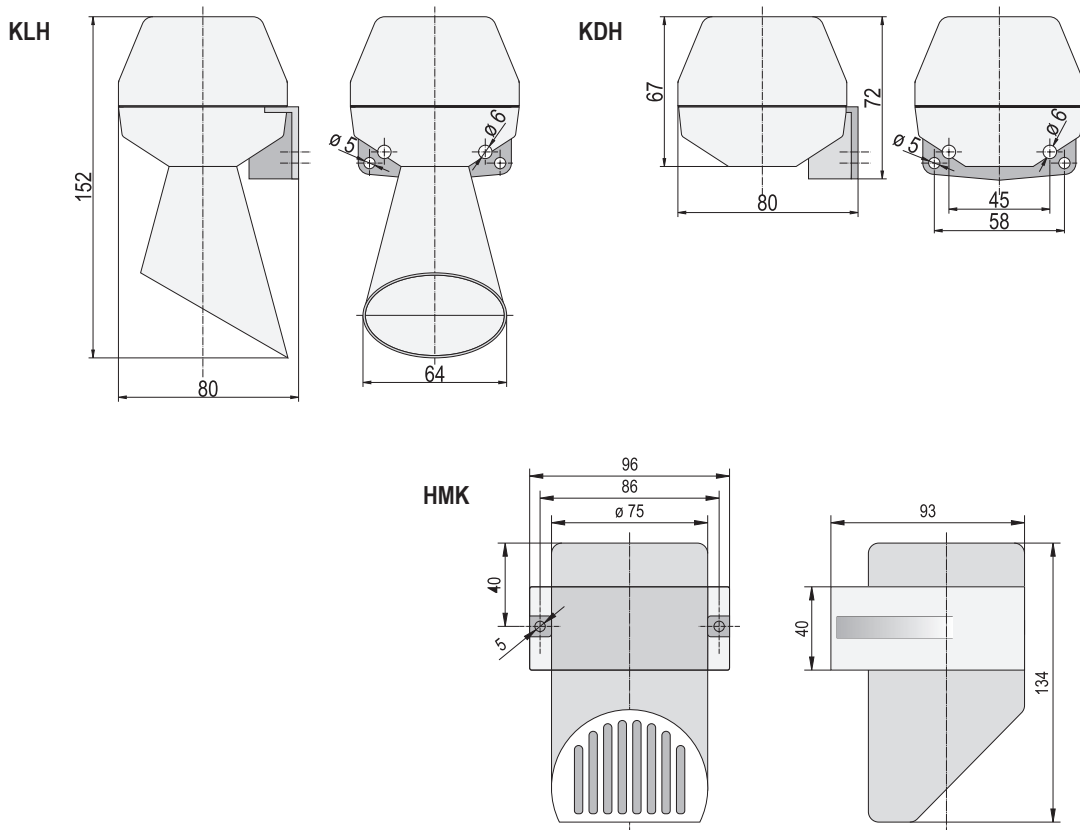
Beacon with Siren (CS1)



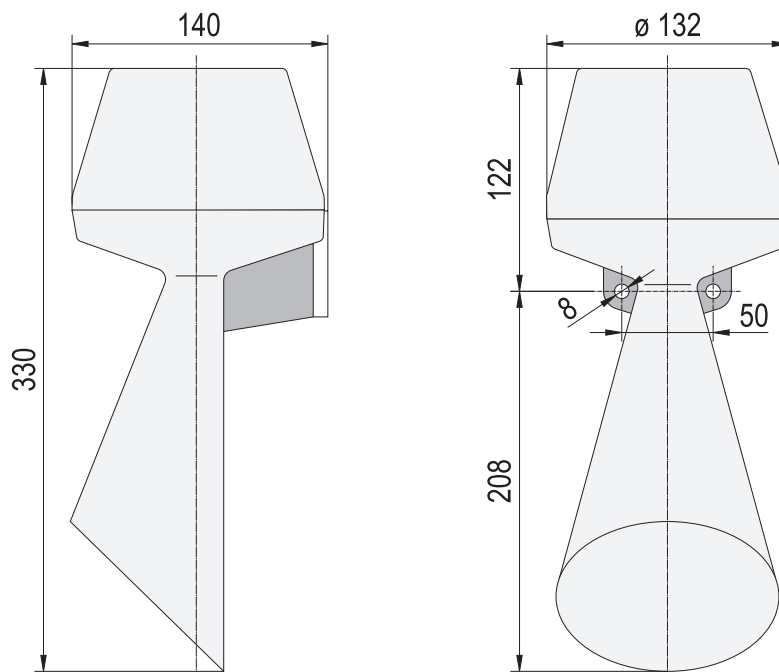


Mini Horns (KLH/KDH/HMK)

Dimensions are in millimeters. Dimensions not intended for manufacturing purposes.



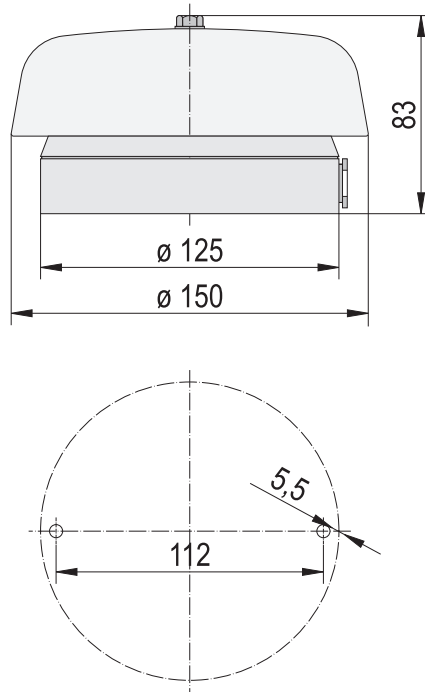
Signal Horn (HPT/HTG)



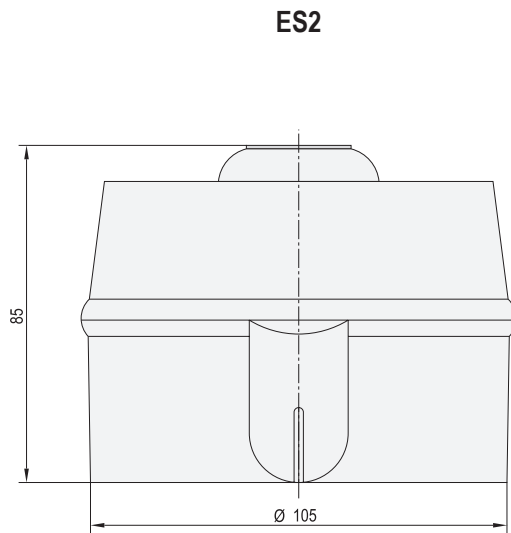
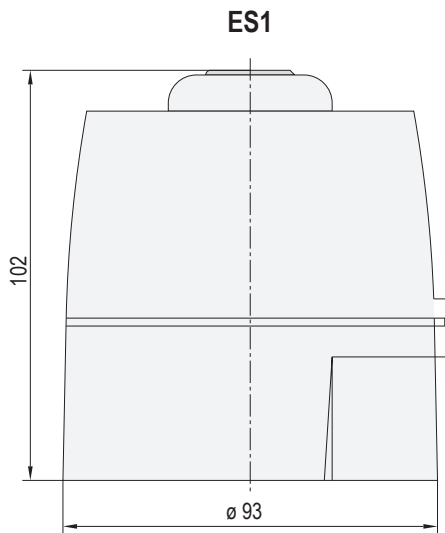


Signal Bells (UWS/FWS)

Dimensions are in millimeters. Dimensions not intended for manufacturing purposes.



Multitone Sirens (ES1/ES2)

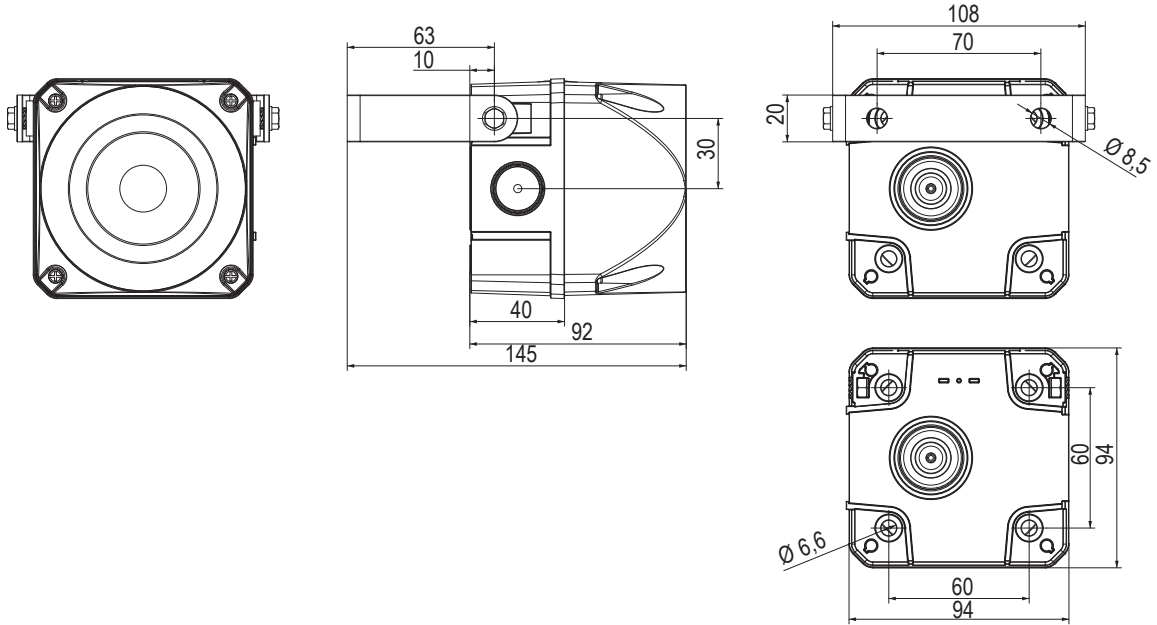


J Audible Signaling

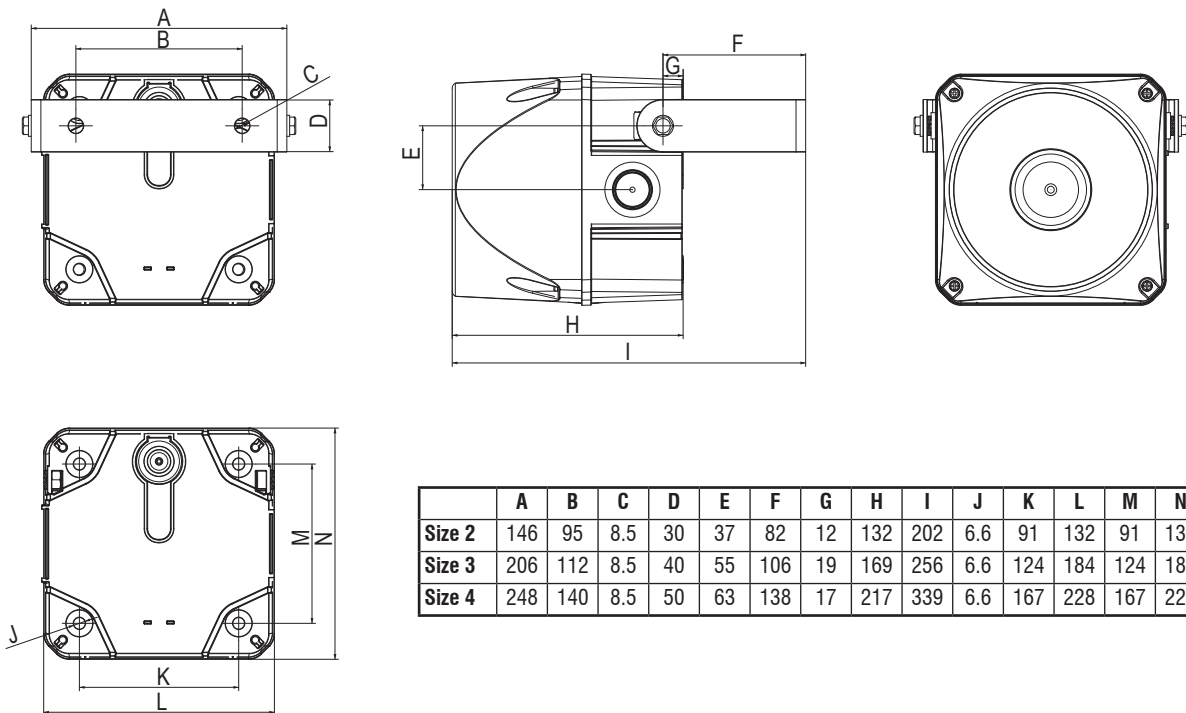


Multitone Alarm Sounders A - Size 1 (ASS-P/ASS-T)

Dimensions are in millimeters. Dimensions not intended for manufacturing purposes.



Multitone Alarm Sounders A - Size 2-4 (ASM/ASL/ASX)



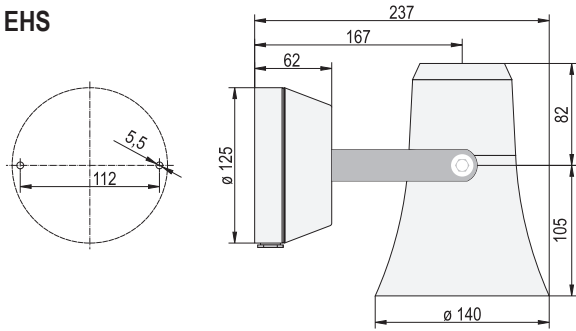
	A	B	C	D	E	F	G	H	I	J	K	L	M	N
Size 2	146	95	8.5	30	37	82	12	132	202	6.6	91	132	91	132
Size 3	206	112	8.5	40	55	106	19	169	256	6.6	124	184	124	184
Size 4	248	140	8.5	50	63	138	17	217	339	6.6	167	228	167	228



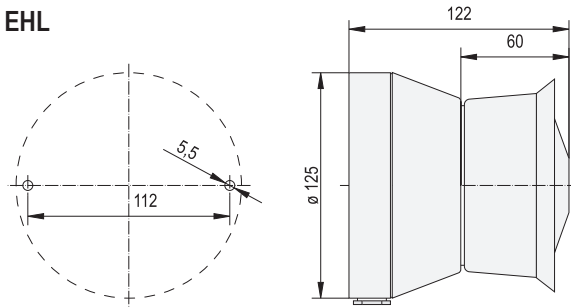
Electronic Sounder (EHS/EHL/EHF)

Dimensions are in millimeters. Dimensions not intended for manufacturing purposes.

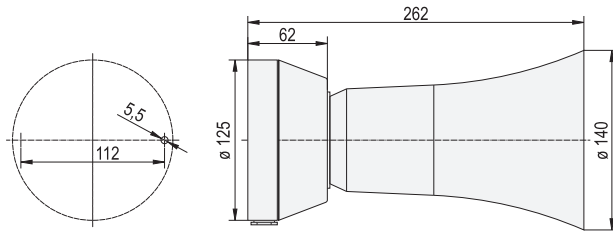
EHS



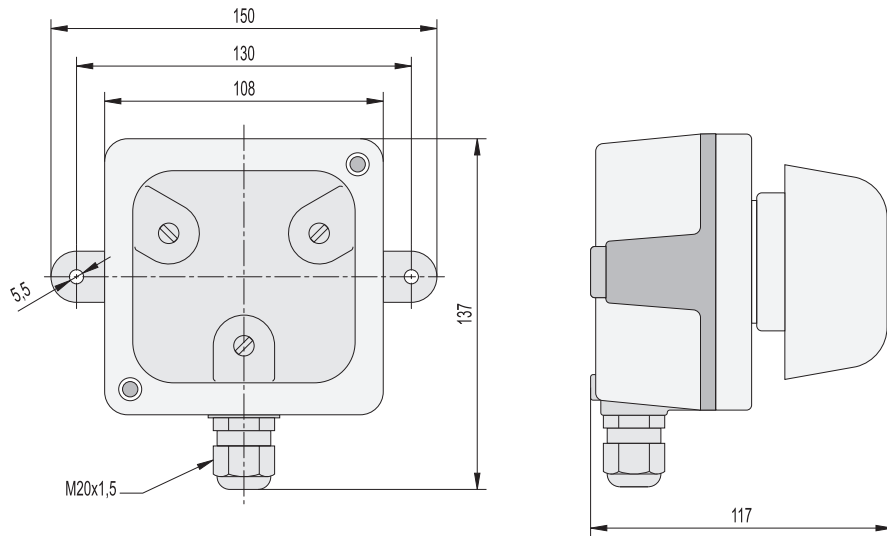
EHL



EHF



Explosion-proof Audible Telephone Call & Signaling Sounder (AS1/AS2/AS3/AS4)

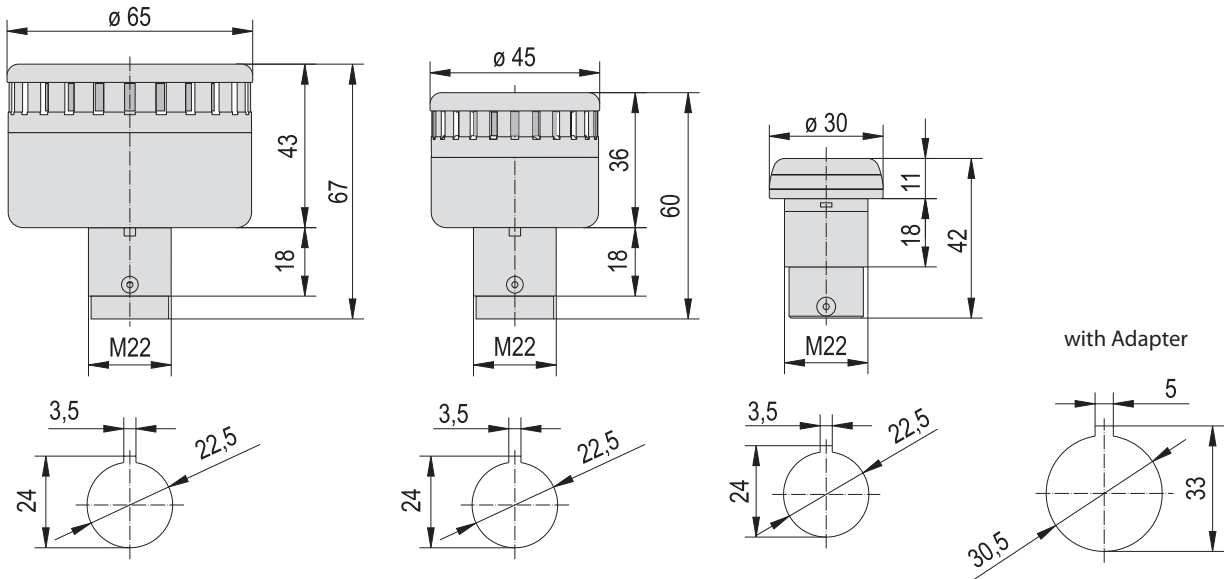


J Audible Signaling



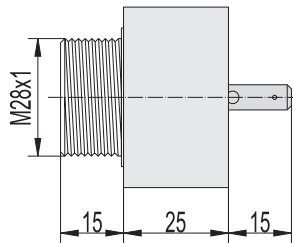
M22 Panel Mount Buzzer (ESG/ESM/ESK/ESV)

Dimensions are in millimeters. Dimensions not intended for manufacturing purposes.

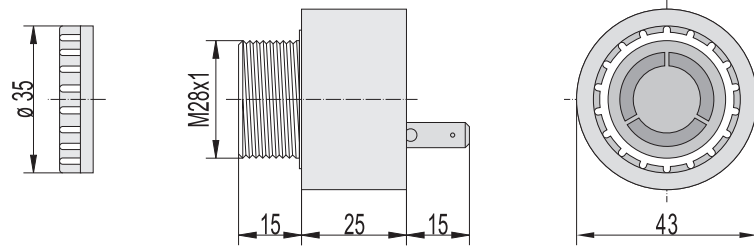


M28 Panel Mount Buzzer (ESD/ESP/ESZ)

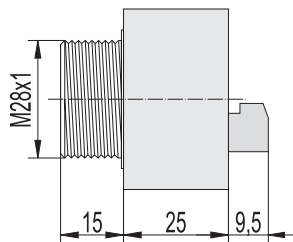
ESD-ESP



ESZ-S



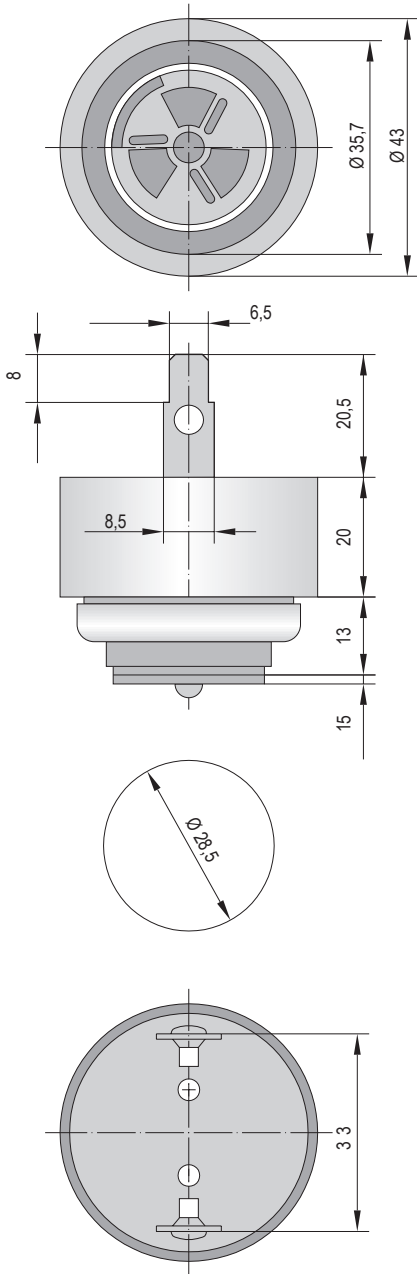
ESZ-K





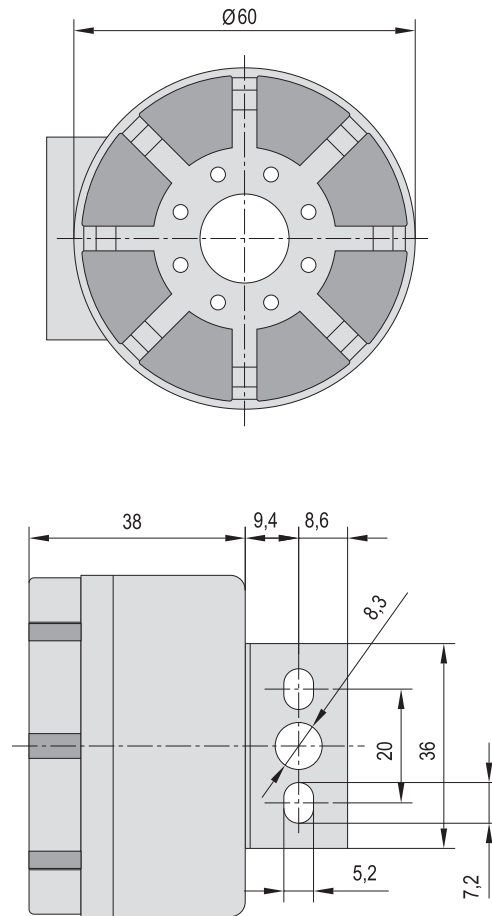
M28 Panel Mount Buzzer (BU2/BU3)

Dimensions are in millimeters. Dimensions not intended for manufacturing purposes.



Surface Mount Buzzer-Siren (BU1)

Dimensions are in millimeters. Dimensions not intended for manufacturing purposes.

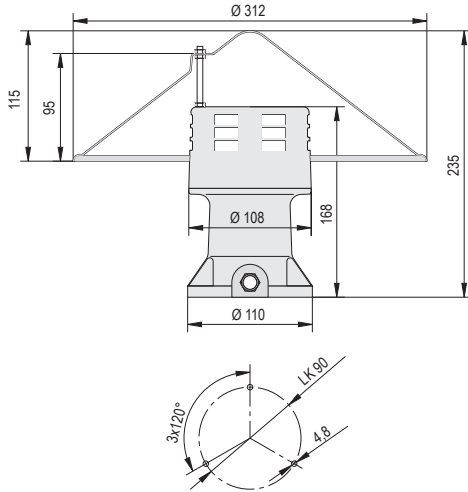




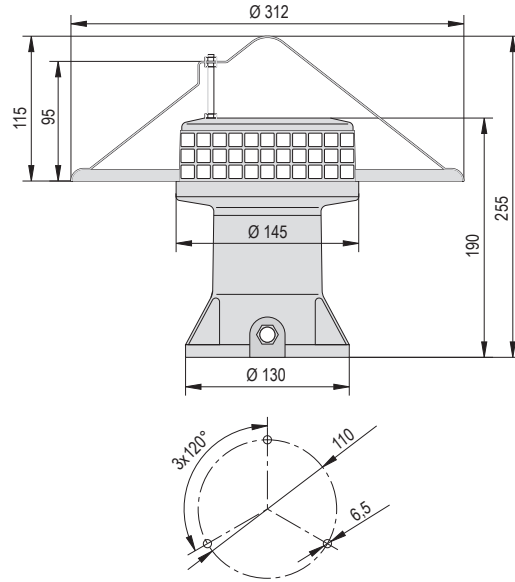
Motor Siren (SE1/SE2/SE3)

Dimensions are in millimeters. Dimensions not intended for manufacturing purposes.

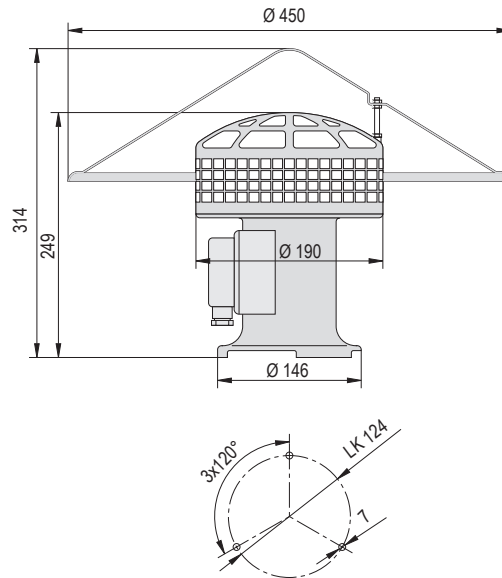
SE1



SE2



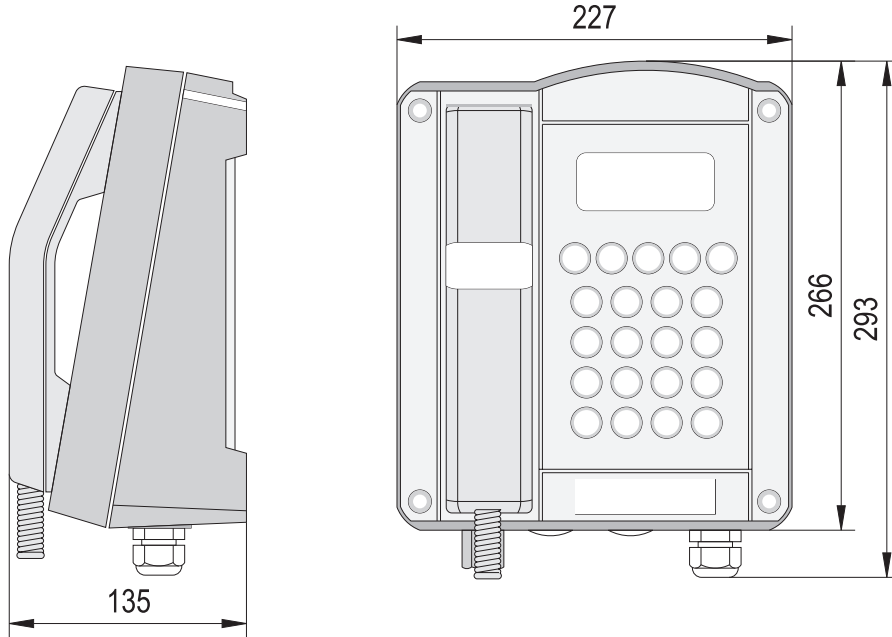
SE3



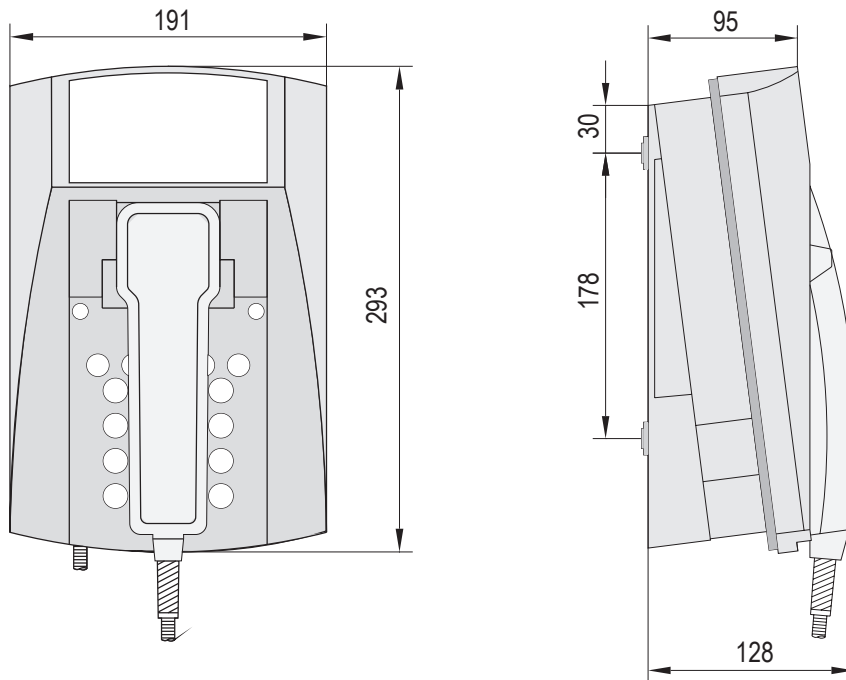


SafeTel Telephone (dST1/dST2/wST1/wST2)

Dimensions are in millimeters. Dimensions not intended for manufacturing purposes.



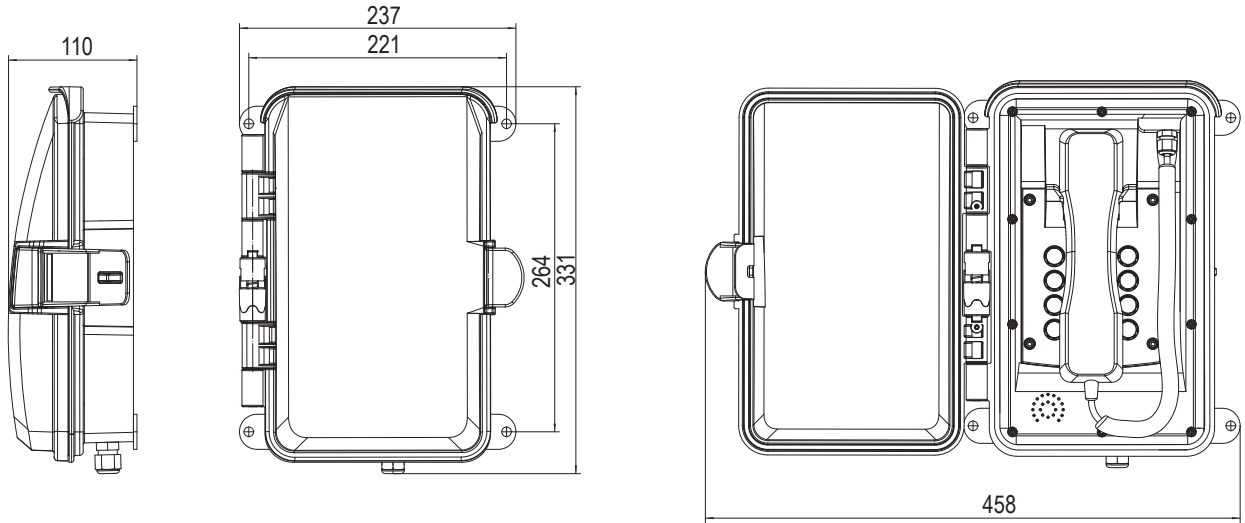
FernTel Telephone (dFT3/wFT3)



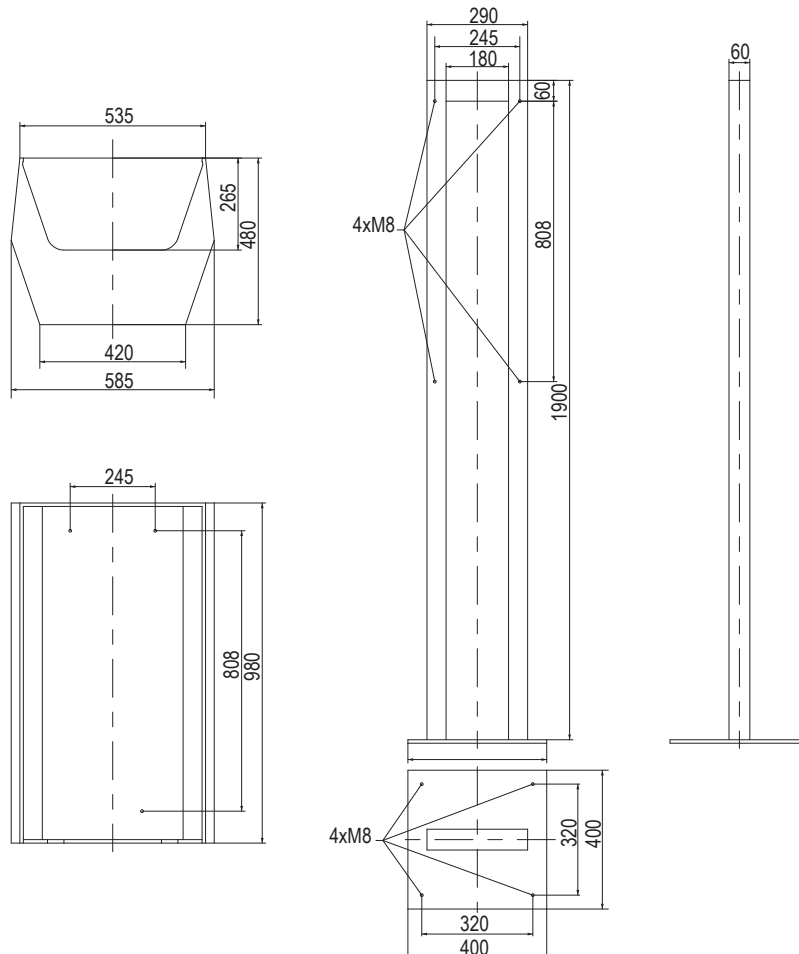


Industry Telephone (wIND)

Dimensions are in millimeters. Dimensions not intended for manufacturing purposes.



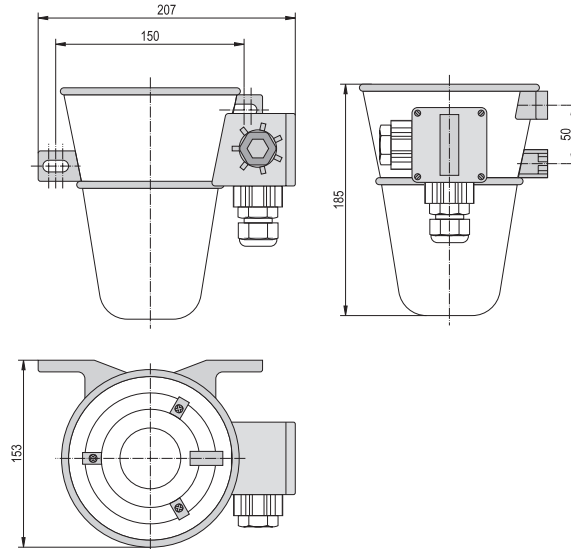
Telephone Protection Hood (TH1/TH1C)





Explosion Proof Loudspeaker (LS1/LS2)

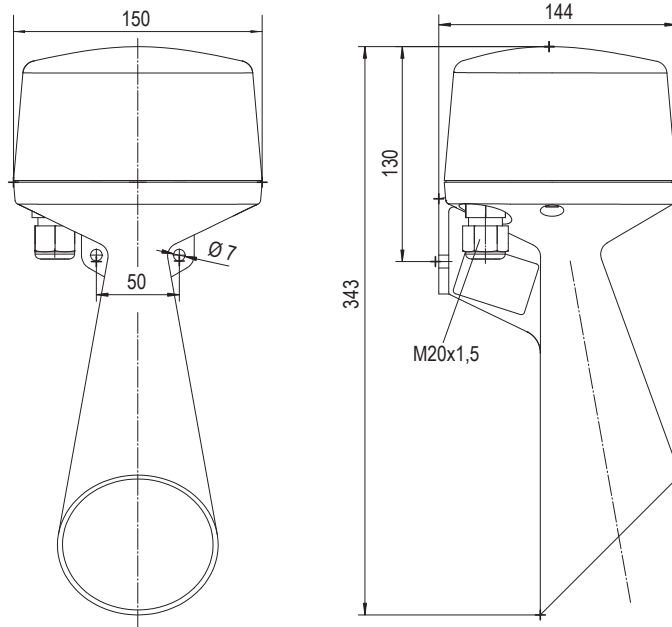
Dimensions are in millimeters. Dimensions not intended for manufacturing purposes.



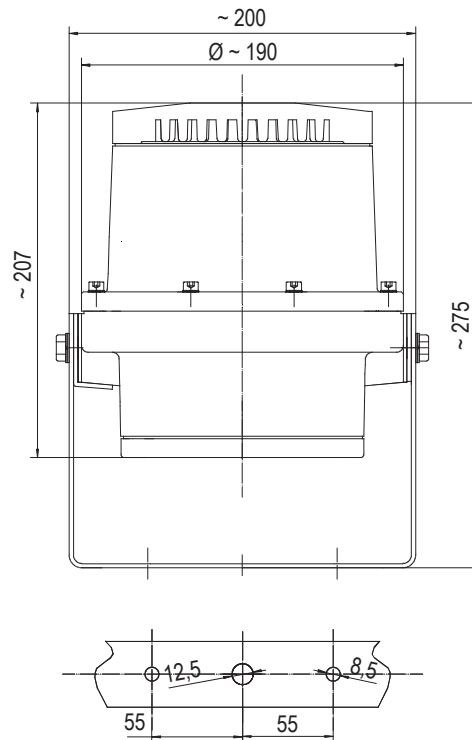


Explosion Proof Signal Horn (mHPT)

Dimensions are in millimeters. Dimensions not intended for manufacturing purposes.



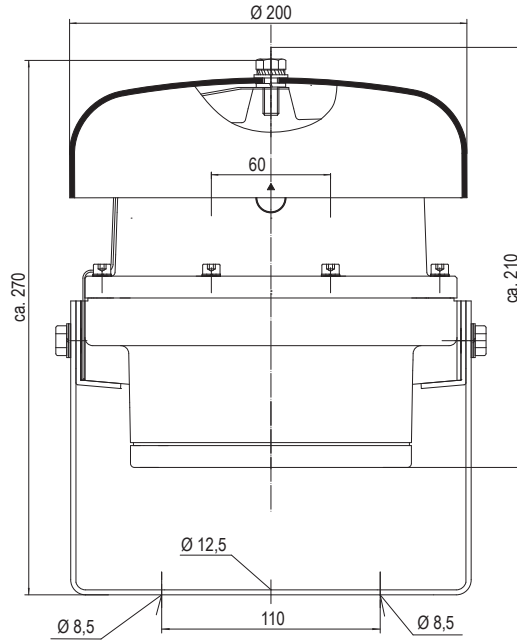
Explosion Proof Signal Horn (dHH/dHHR)



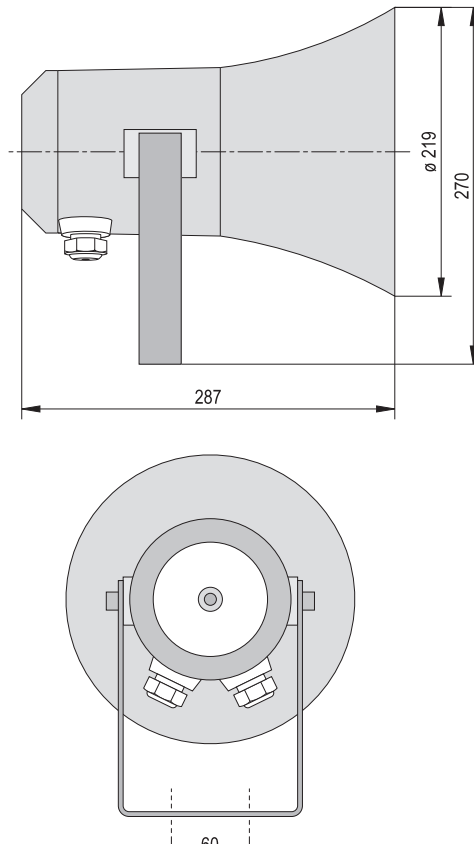


Explosion Proof Signal Bell (dHW/dHWR)

Dimensions are in millimeters. Dimensions not intended for manufacturing purposes.



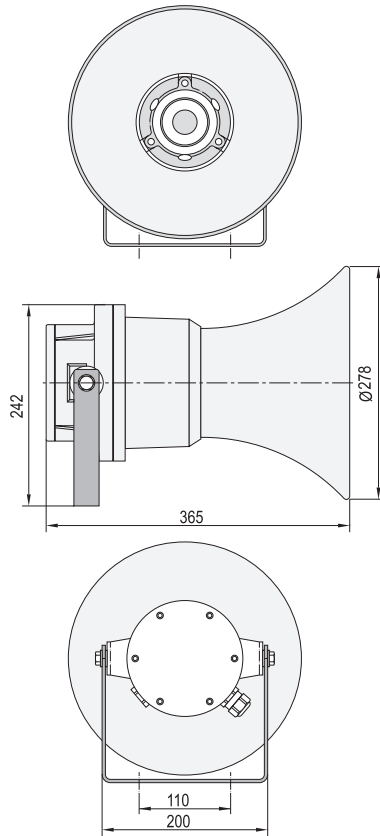
Explosion Proof Loudspeaker (dHS)



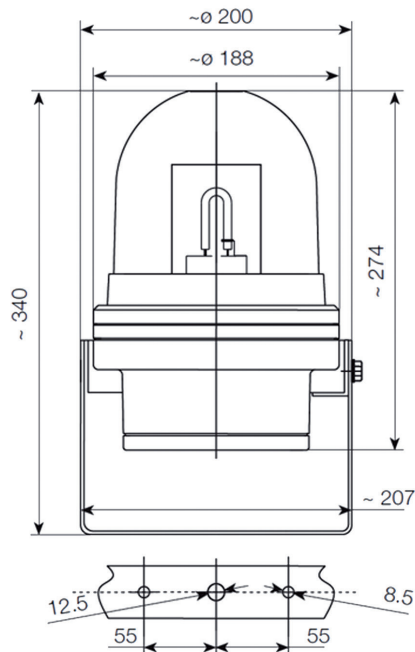


Explosion Proof Electronic Sounder (dHE)

Dimensions are in millimeters. Dimensions not intended for manufacturing purposes.



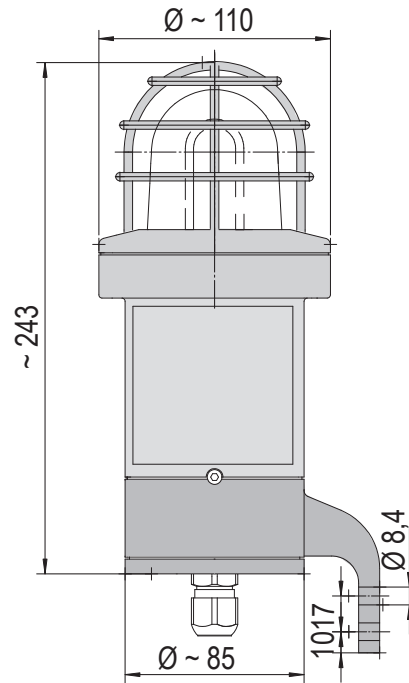
Explosion Proof Strobe Beacon (dHF)



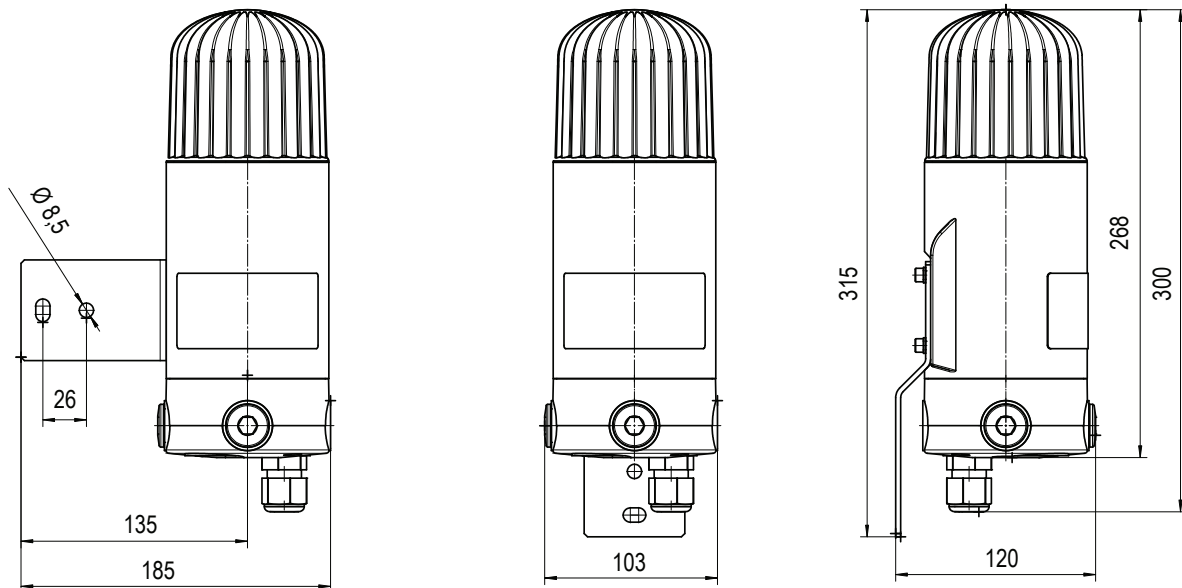


Explosion Proof Strobe Beacon (dSF/dSD)

Dimensions are in millimeters. Dimensions not intended for manufacturing purposes.



Explosion Proof LED Beacon (mDD)



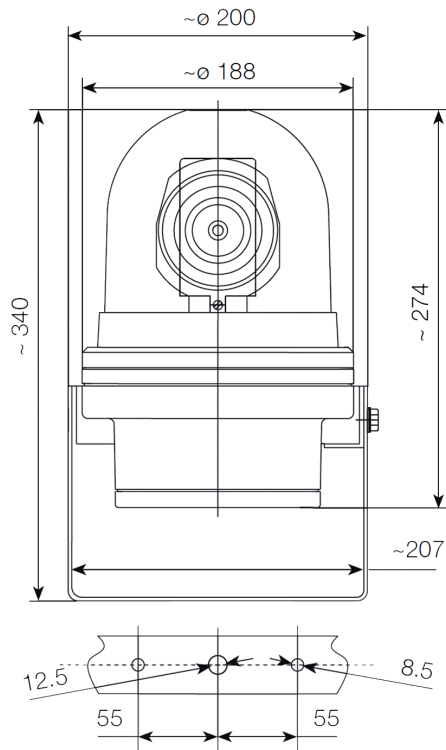
J

Explosion Proof Signaling

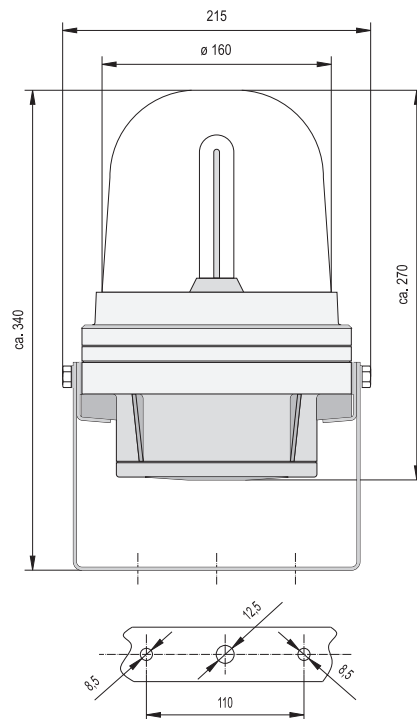


Explosion Proof Rotating Beacon (dHR)

Dimensions are in millimeters. Dimensions not intended for manufacturing purposes.



Explosion Proof Steady Beacon (dHL)





200	J3, J9
210	J6
211	J6
212	J7
220	J6
221	J6
230	J6
231	J6
241	J8
242	J8
243	J8
244	J8
247	J8
248	J8
250	J7
251	J7
260	J7
261	J7
270	J7
271	J7
280	J8
300	J47 See Online Catalog
301	J47 See Online Catalog
310	J50 See Online Catalog
320	J48 See Online Catalog
335	J49 See Online Catalog
336	J49 See Online Catalog
340	J49 See Online Catalog
350	J50 See Online Catalog
360	J48 See Online Catalog
410	J38, J42, J44, J50 See Online Catalog
417	J24
418	J23
419	J23
440	J25
441	J25
442	J25
593	J43 See Online Catalog
594	J43 See Online Catalog
698	J3, J22, J24, J26, J27, J29
700	J3
710	J39, J40 See Online Catalog
711	J40 See Online Catalog
712	J41 See Online Catalog
713	J41 See Online Catalog
720	J42 See Online Catalog
730	J42 See Online Catalog
731	J42 See Online Catalog
740	J37 See Online Catalog
741	J37 See Online Catalog
750	J2
751	J2
760	J2
761	J2
770	J2
771	J2
772	J2
781	J2
782	J2
790	J3
800	J30
801	J30
802	J30

805	J25
807	J35 See Online Catalog
809	J43 See Online Catalog
810	J43 See Online Catalog
811	J43 See Online Catalog
812	J33
813	J32, J33
814	J32, J33
817	J24
818	J23
819	J23
822	J35 See Online Catalog
827	J35 See Online Catalog
832	J35 See Online Catalog
837	J24
838	J23
839	J23
841	J2, J9
842	J35 See Online Catalog
847	J24
848	J23
849	J23
860	J36 See Online Catalog
861	J36 See Online Catalog
874	J22
875	J27
876	J26
890	J11, J14, J34
893	J34
900	J11, J14, J16, J17
901	J13, J14
902	J10, J11

A

AB1	J22, J26, J27
AB2	J22, J26, J27, J29
ACL	J27
ACM	J27
ACX	J27
ADL	J27
ADM	J27
ADS	J27
ADX	J27
AG2	J22, J26, J27, J29
AKV	J22, J24, J26, J27, J29
AMK	J22, J26, J27, J29
AS1	J46 See Online Catalog
AS2	J44 See Online Catalog
AS3	J48 See Online Catalog
AS4	J42 See Online Catalog
ASL	J28, J29
ASM	J28, J29
ASS	J29
ASX	J28, J29

B

B100	J43 See Online Catalog
------	------------------------

BAZ	J8
BC1	J37 See Online Catalog
BDM	J2, J9
BDV	J2, J9
BDW	J2, J9
BFR	J9
BKG	J35 See Online Catalog
BLG	J35 See Online Catalog
BMR	J9
BMV	J9
BMW	J9
BNW	J9
BPW	J9
BSR	J9
BSS	J3, J9
BU1,2,3	J43 See Online Catalog
BZG	J37 See Online Catalog
BZL	J37 See Online Catalog

C

C110	J42 See Online Catalog
C111	J38 See Online Catalog
C112	J37 See Online Catalog
C115	J42 See Online Catalog
CS1 Siren	J38 See Online Catalog

D

D7-AW2	J32
D118	J37 See Online Catalog
dFT3	J46 See Online Catalog
dHE	J48 See Online Catalog
dHF	J49 See Online Catalog
dHH	J47 See Online Catalog
dHL	J50 See Online Catalog
dHR	J50 See Online Catalog
dHS	J48 See Online Catalog
dHW	J48 See Online Catalog
DLG	J35 See Online Catalog
dSD	J49 See Online Catalog
dSF	J49 See Online Catalog
dST	J46 See Online Catalog

E

EDG	J32
EDM	J32
EHF	J42 See Online Catalog
EHL	J42 See Online Catalog
EHS	J42 See Online Catalog
ELG	J32
ELM	J32
EP1	J46 See Online Catalog
EP2	J44 See Online Catalog
ES1,2	J42 See Online Catalog
ESD	J43 See Online Catalog



ESG	J33
ESK	J33
ESM	J33
ESP	J43 See Online Catalog
ESV	J33
ESZ	J43 See Online Catalog

F

FLG	J35 See Online Catalog
FWS	J42 See Online Catalog

G

GL01	J34
------	-----

H

HL21	J34
HMK	J40 See Online Catalog
HPT	J41 See Online Catalog
HS1	J46 See Online Catalog
HS2	J44 See Online Catalog
HTG	J41 See Online Catalog

I

IBL	J30
IBM	J30
IBS	J30
ICL	J30
ICM	J30
IDL	J31
IDM	J31
IDS	J31
ILL42	J25
IML	J31
IMM	J31
ISL	J30
ISM	J30
ISS	J30
ITL	J31
ITM	J31
ITS	J31

K

KDF	J39 See Online Catalog
KDH	J40 See Online Catalog
KDL	J39 See Online Catalog
KLF	J39 See Online Catalog
KLH	J40 See Online Catalog
KLL	J39 See Online Catalog

L

LLB	J34
LLL	J34
LS1	J46 See Online Catalog
LS2	J44 See Online Catalog
LWW	J11, J14, J17

M

MBL	J23
MBM	J23
MBS	J24
mDD	J49 See Online Catalog
MFL	J23
MFM	J23
MFS	J24
MLL	J23
MLM	J23
MLS	J24
MMR	J24
MRL	J23
MRM	J23
MRS	J24
MSR	J24

N

NES	J25
NFS	J25
NMS	J25

P

PCH	J36 See Online Catalog
PCL	J36 See Online Catalog
PFH	J36 See Online Catalog
PFL	J36 See Online Catalog
PMH	J36 See Online Catalog
PMR	J36 See Online Catalog
PVW	J36 See Online Catalog
PXH	J36 See Online Catalog
PXL	J36 See Online Catalog

Q

QBL	J22
QBX	J22
QCL	J26
QCX	J26
QDL	J22
QDM	J22
QDS	J22, J28

QDX	J22
QFM	J22
QFS	J22
QSL	J26
QSM	J26
QSS	J26
QSX	J26
QTM	J26
QTS	J26

S

SAP	J7
SBP	J7
SCP	J7
SDA	J6
SDC	J6
SDE	J8
SDR	J6
SDZ	J8
SE1,2,3	J43 See Online Catalog
SFP	J7
SLB	J6
SLD	J7
SLF	J6
SLL	J6
SLP	J7
SPE	J8
SPZ	J8
SRP	J7
STE	J8
STZ	J8

J

T

TH1	J45 See Online Catalog
-----	------------------------

U

UWS	J42 See Online Catalog
-----	------------------------

V

VAZ	J2
VDE	J2
VDZ	J2
VFR	J3
VLB	J2
VLF	J2
VLL	J2
VMR	J3
VMV	J3
VMW	J3
VNW	J3
VPW	J3



VS1	J46, J50 See Online Catalog
VS2	J44 See Online Catalog
VS4	J38 See Online Catalog
VSR	J3
VSW	J3

W

wFT	J44 See Online Catalog
wIND	J45 See Online Catalog
WLG	J35 See Online Catalog
wST	J44 See Online Catalog

X

XB2	J37 See Online Catalog
XDA	J16
XDC	J16
XDC-HP	J16
XDE	J16
XDF	J16
XDF-HP	J16
XDM	J16
XDZ	J16
XEP	J17
XFF-HP	J16
XFR	J17
XIB	J11, J14, J17
XLL	J16
XMF	J17
XMR	J17
XMS	J17
XMV	J17
XMW	J17
XSS	J11, J14, J17
XSW	J17
XT07	J34
XWR	J11, J14, J17
XZV	J17

Y

YDA	J13
YDC	J13
YDC-HP	J13
YDE	J13
YDF	J13
YEP	J14
YFF-HP	J13
YFR	J14
YLL	J13
YMF	J14
YMR	J14
YMS	J14
YMV	J14
YMW	J14
YNW	J14, J17
YSW	J14
YZV	J14

Z

ZDA	J10
ZDC	J10
ZDE	J10
ZDF	J10
ZEP	J11
ZFF	J10
ZFR	J11
ZLL	J10
ZMF	J11
ZMR	J11
ZMS	J11
ZMV	J11
ZMW	J11
ZNW	J11
ZSW	J11
ZZV	J11

J



Notes

*For Specialty Beacons, Telephones,
Explosion Proof Devices, Technical
Information and Dimensions please see the
online catalog*

J



Notes

*For Specialty Beacons, Telephones,
Explosion Proof Devices, Technical
Information and Dimensions please see the
online catalog*

J