

## Additional Technical Information for Tie Point, Diode, and Resistor Terminal Blocks



**ATTENTION:** The total current flow through these terminal blocks (the sum of all inputs or the sum of all outputs) must not exceed the rated current for the device.

**Tie Point Terminal Blocks — Type WD4C**

Description	Type	Rating
Maximum Total Current Flow Through the Terminal Block	WD4C	10 A
Maximum Working Voltage	WD4C	300 V
Operating Ambient Temperature Range	All	-4...+104°F (-20...+40°C)
Standard Resistance Range	A	-40...+167°F (-40...+75°C)

**Diode Terminal Blocks — Types WD4DF and WD4DR**

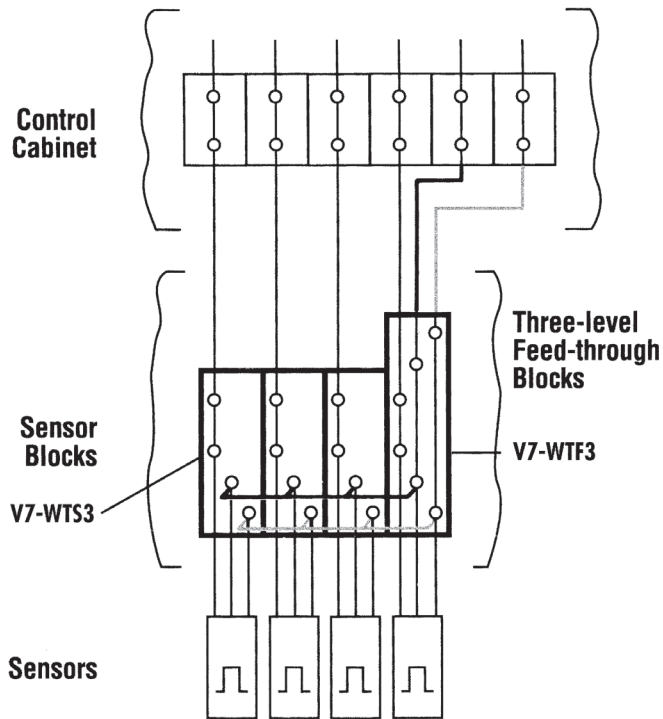
Description	Symbol	Type	Rating
Peak Repetitive Reverse Voltage	V (RRM)		
Working Peak Reverse Voltage	V (RWM)	WD4DF, WD4DR	300V
DC Blocking Voltage	V (R)		
Non-Repetitive Peak Reverse Voltage (Half wave, single phase, 60 Hz)	V (RSM)	WD4DF, WD4DR	300V
RMS Reverse Voltage <sup>❶</sup>	V (Rrms)	WD4DF, WD4DR	300V
Average Rectified Forward Current Single Phase, Resistive Load, 60 Hz	I (O)	All	1.0 A
Non-Repetitive Peak Surge Current (Surge applied at rated load)	I (FSM)	All	30 A (1 cycle)
Maximum Forward Voltage Drop [I (F) = 1.0 A]	V (F)	All	1.1 V
Maximum Reverse Current	I (R)	All	10 μA
Operating Ambient Temperature Range	T (A)	All	-4...+104°F (-20...+40°C)
Storage Temperature Range	T (S)	All	-40...+167°F (-40...+75°C)

**NOTE:** All parameters measured at 77°F (25°C)

❶ The maximum voltage rating of the diode terminal blocks listed in this table should not be exceeded even though the maximum reverse voltage rating of the diode alone is 1000V.

Fuse Plugs ①			
Characteristic	Catalog Number		
	V7-FP4	V7-FP424	V7-FP4250
Indicator Type	Non-Indicating	LED	LED
Leakage Current	~	2 mA @ 24 V	1 mA @ 264 V
Working Voltage	Per Fuse Rating	10...57V AC/DC	85...264V AC
Fuse Size (Not Supplied)	5 x 20 mm	5 x 20 mm	5 x 20 mm

### Sensor Block Wiring Diagram



① Maximum current rating for the fuse plug is 10 A @ 250 V. IEC standards for 5 x 20 mm fuses do not include ratings above 6.3 A.

**Regulatory Approvals**

Terminal block products have been designed to meet the requirements of one or more regulatory bodies. Most products have also been tested per additional standards. The following is a listing of some of the regulatory bodies and standards which apply to terminal block products. See the particular product description for information on specific approvals and ratings.

**UL** (Underwriters Laboratories) — Devices in this catalog with one of these ratings have been tested by Underwriters Laboratories and meet the requirements of one or more of the following United States Standards:

- UL 457 — Grounding and Bonding Equipment
- UL 486E — Equipment Wiring Terminals for Use With Aluminum and/or Copper Conductors
- UL 1059 — Standard for Terminal Blocks

Reference UL file E195677

**cUL** (Underwriters Laboratories) — Devices in this catalog with this rating have been tested by Underwriters Laboratories and meet the requirements of the following Canadian Standard:

- CSA 22.2 No. 158 — Terminal Blocks

Reference UL file E195677

**CSA** (Canadian Standards Association) — Devices in this catalog with this rating have been tested by the Canadian Standards Association and meet the requirements of the following Canadian Standard:

- CSA 22.2 No. 158 — Terminal Blocks

Reference CSA files 205830 and 206918

**CE** Terminal blocks listed in this catalog (with the exception of the V7-WTC3E, -WTC3J, and -WTC3T) meet the requirements of the Low Voltage Directive put forth by the European Union. Devices have been tested and comply with one or more of the following European Norms:

- EN 50947-1 — Low Voltage Switchgear and Controlgear: General Rules
- EN 60947-7-1 — Low Voltage Switchgear and Controlgear: Terminal Blocks for Copper Conductors
- EN 60947-7-2 — Low Voltage Switchgear and Controlgear: Protective Conductor Terminal Blocks for Copper Conductors

**IEC** (International Electrotechnical Commission) — Devices listed in this catalog with “IEC” ratings meet the requirements of one or more of the following standards:

- IEC 60947-1 — Low Voltage Switchgear and Controlgear: General Rules
- IEC 60947-7-1 — Low Voltage Switchgear and Controlgear. Part 7: Ancillary Equipment, Section 1: Terminal Blocks for Copper Conductors
- IEC 60947-7-2 — Low Voltage Switchgear and Controlgear. Part 7: Ancillary Equipment, Section 2: Protective Conductor Terminal Blocks for Copper Conductors

**Ex e II** — Devices listed in this catalog with an “Ex e II” rating meet the following Canadian Standards per Underwriters Laboratories:

- E79-0-95 — Electrical Apparatus for Explosive Atmospheres — Part 0 — General Requirements
- E79-7-95 — Electrical Apparatus for Explosive Atmospheres — Part 7 — Increased Safety “e”

These products are suitable for Class I, Zone 1 Hazardous Locations. Reference UL file E195676

**AEx e II** Devices listed in this catalog with an “AEx e II” rating meet the following United States Standard per Underwriters Laboratories:

- UL 2279 — Standard for Electrical Equipment for Use in Class I, Zone 0, 1, and 2 Hazardous (Classified) Locations

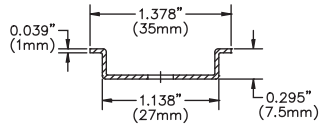
These products are suitable for Class I, Zone 1 Hazardous Locations. Reference UL file E195676

**V7 Terminal Approvals**

Catalog Number	UL Approvals							CSA Certifications		
	Terminal Block - Component			Terminal Blocks - For Use in Hazardous Locations			Grounding and Bonding Equipment-Component		Terminal Blocks	
	UR	cUR	File No.	UR	cUR	File No.	UR	File No.	CSA	File No.
	(XCFR2)	(XCFR8)		(XCIB2)	(XCIB8)		(KDER2)		(622801)	
V7-... H4	X		E195677						X	206918
H5	X		E195677						X	206918
H6	X		E195677						X	206918
H7	X		E195677						X	206918
W10	X		E195677	X	X	E195676			X	206918
W16S	X		E195677	X	X	E195676			X	206918
W3	X		E195677	X	X	E195676			X	206918
W35	X	X	E195677	X	X	E195676			X	205830
W3TW	X		E195677	X	X	E195676			X	206918
W4	X		E195677	X	X	E195676			X	206918
W4P	X		E195677						X	206918
W4PTP	X		E195677						X	206918
W6	X		E195677	X	X	E195676			X	206918
W70	X	X	E195677	X	X	E195676			X	205830
WD3	X		E195677	X	X	E195676			X	206918
WD4	X		E195677	X	X	E195676			X	206918
WD4C	X		E195677	X	X	E195676			X	206918
WD4DF	X		E195677						X	206918
WD4DR	X		E195677						X	206918
WD4P	X		E195677						X	206918
WD6	X	X	E195677						X	205830
WDG4P	X		E195677						X	206918
WDG4C	X	X	E195677							
WFB4	X		E195677						X	206918
WFB424	X		E195677						X	206918
WFB4250	X		E195677						X	206918
WFB10V	X	X	E195677							
WFB10VA	X	X	E195677							
WG10	X	X	E195677	X	X	E195676	X	E195567		
WG16	X	X	E195677	X	X	E195676	X	E195567	X	205830
WG35	X	X	E195677	X	X	E195676	X	E195567	X	205830
WG4	X		E195677	X	X	E195676			X	206918
WG6	X		E195677	X	X	E195676			X	206918
WG70	X	X	E195677							
WKD3	X		E195677						X	206918
WKD3TP	X		E195677						X	206918
WKD6	X	X	E195677						X	205830
WR3	X		E195677						X	206918
WTF3	X		E195677						X	206918
WTF3LN	X		E195677						X	206918
WTF3LP	X		E195677						X	206918
WTS3	X		E195677						X	206918
WTS3LN	X		E195677						X	206918
WTS3LP	X		E195677						X	206918

**3F Top Hat Low Profile DIN Rail**

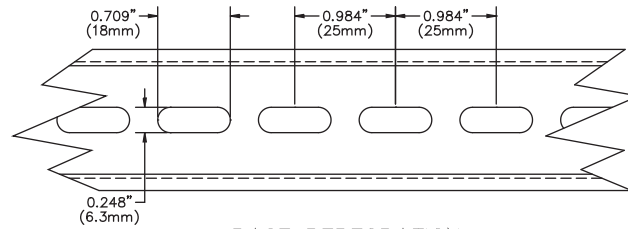
Dimensions are in millimeters (inches). Dimensions not intended for manufacturing purposes.



FRONT SECTION

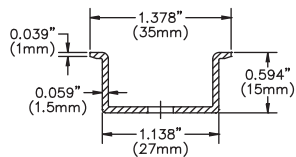


RIGHT SIDE VIEW



BASE PERFORATION

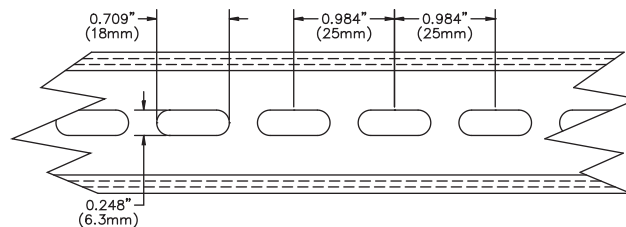
**3AF Top Hat High Profile DIN Rail**



FRONT SECTION



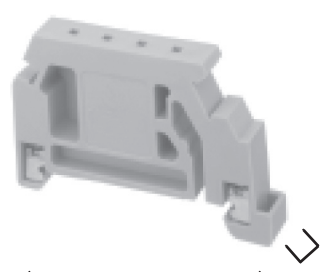


RIGHT SIDE VIEW









BASE PERFORATION

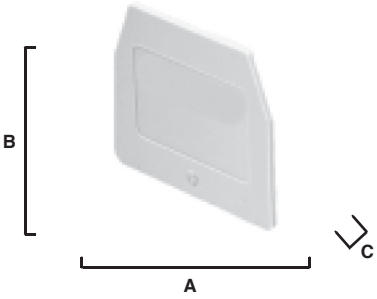
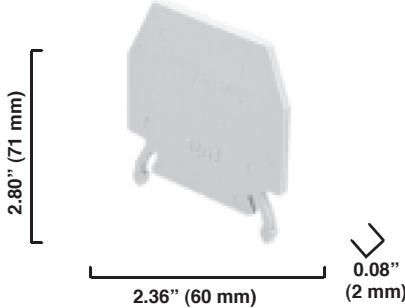
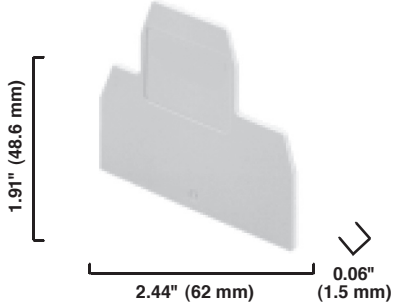
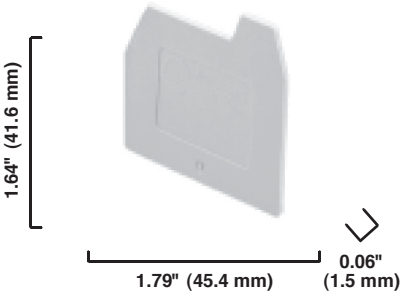
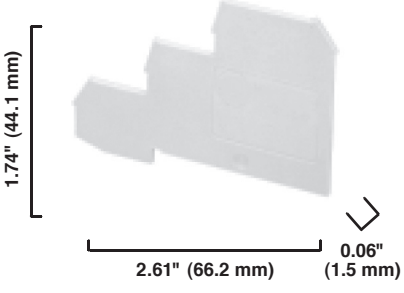
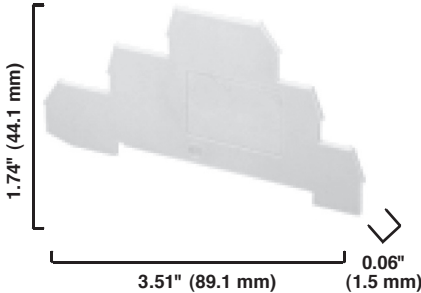



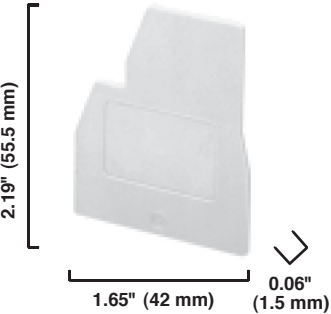
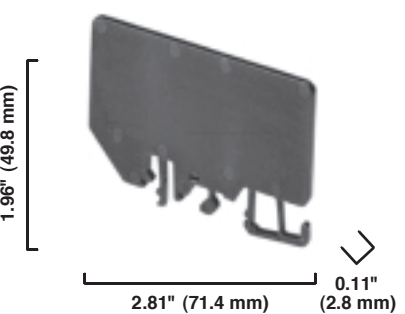
**End Anchors**

 <p>1.09" (27.6 mm) 2.04" (51.9 mm) 0.31" (8 mm) V7-EA35</p>	 <p>1.97" (50 mm) 1.97" (50 mm) 0.47" (12 mm) V7-EAH3</p>	 <p>0.93" (23.7 mm) 1.78" (45.2 mm) 0.31" (8 mm) V7-ER35</p>
---	--	---

**Partition Plates**

 <p>2.99" (76 mm) 2.68" (68 mm) 0.08" (2 mm) V7-PP35</p>	 <p>A B C</p> <table border="1"> <thead> <tr> <th>Catalog #</th> <th>A</th> <th>B</th> <th>C</th> </tr> </thead> <tbody> <tr> <td>V7-PP3</td> <td>1.85" (47 mm)</td> <td>1.57" (40 mm)</td> <td>0.06" (1.5 mm)</td> </tr> <tr> <td>V7-PP10</td> <td>2.17" (55 mm)</td> <td>1.81" (46 mm)</td> <td>0.06" (1.5 mm)</td> </tr> <tr> <td>V7-PPSL3</td> <td>2.20" (56 mm)</td> <td>1.54" (39 mm)</td> <td>0.08" (2 mm)</td> </tr> </tbody> </table>	Catalog #	A	B	C	V7-PP3	1.85" (47 mm)	1.57" (40 mm)	0.06" (1.5 mm)	V7-PP10	2.17" (55 mm)	1.81" (46 mm)	0.06" (1.5 mm)	V7-PPSL3	2.20" (56 mm)	1.54" (39 mm)	0.08" (2 mm)	 <p>A B C</p> <table border="1"> <thead> <tr> <th>Catalog #</th> <th>A</th> <th>B</th> <th>C</th> </tr> </thead> <tbody> <tr> <td>V7-PPD3</td> <td>2.82" (71.6 mm)</td> <td>2.09" (53.2 mm)</td> <td>0.08" (2 mm)</td> </tr> <tr> <td>V7-PPD6</td> <td>3.31" (84 mm)</td> <td>2.72" (69 mm)</td> <td>0.08" (2 mm)</td> </tr> </tbody> </table>	Catalog #	A	B	C	V7-PPD3	2.82" (71.6 mm)	2.09" (53.2 mm)	0.08" (2 mm)	V7-PPD6	3.31" (84 mm)	2.72" (69 mm)	0.08" (2 mm)
Catalog #	A	B	C																											
V7-PP3	1.85" (47 mm)	1.57" (40 mm)	0.06" (1.5 mm)																											
V7-PP10	2.17" (55 mm)	1.81" (46 mm)	0.06" (1.5 mm)																											
V7-PPSL3	2.20" (56 mm)	1.54" (39 mm)	0.08" (2 mm)																											
Catalog #	A	B	C																											
V7-PPD3	2.82" (71.6 mm)	2.09" (53.2 mm)	0.08" (2 mm)																											
V7-PPD6	3.31" (84 mm)	2.72" (69 mm)	0.08" (2 mm)																											
 <p>1.85" (47.1 mm) 2.88" (73.2 mm) 0.014" (0.35 mm) V7-PPTS3</p>	 <p>1.57" (40.0 mm) 1.76" (44.8 mm) 0.014" (0.35 mm) V7-SP3</p>	 <p>2.19" (55.5 mm) 2.44" (62.0 mm) 0.014" (0.35 mm) V7-SPD3</p>																												

**End Barriers**

 <table border="1" data-bbox="162 630 584 766"> <thead> <tr> <th>Catalog #</th> <th>A</th> <th>B</th> <th>C</th> </tr> </thead> <tbody> <tr> <td>V7-EB3</td> <td>1.46" (37 mm)</td> <td>1.38" (35 mm)</td> <td>0.06" (1.5 mm)</td> </tr> <tr> <td>V7-EB3-Y</td> <td>1.77" (45 mm)</td> <td>1.61" (41 mm)</td> <td>0.06" (1.5 mm)</td> </tr> </tbody> </table>	Catalog #	A	B	C	V7-EB3	1.46" (37 mm)	1.38" (35 mm)	0.06" (1.5 mm)	V7-EB3-Y	1.77" (45 mm)	1.61" (41 mm)	0.06" (1.5 mm)	 <p>V7-EB35</p>	 <p>V7-EBD3/Y</p>
Catalog #	A	B	C											
V7-EB3	1.46" (37 mm)	1.38" (35 mm)	0.06" (1.5 mm)											
V7-EB3-Y	1.77" (45 mm)	1.61" (41 mm)	0.06" (1.5 mm)											
 <p>V7-EB3TW</p>	 <p>V7-EBTS3</p>	 <p>V7-EBTF3</p>												
 <p>V7-EBKD3</p>	 <p>V7-EBD4P</p>	 <p>V7-EBD6</p>												
 <p>V7-EBR3</p>	 <p>V7-N37</p>													

